

carer
the power of clean energy



Z60KN
Z65KN
Z70KN
Z80KN

The Carer forklifts range is meant to be a practical response to the demands of handling many application areas. And 'the fruit of attention and listening to our customers who have reserved all these years. We understand however that every activity and every company has its own characteristics that determine its competitive advantage. So we are ready to share your ideas and transform them as quickly as possible in a new logistics solution.

Carer has a wide range of three and four wheels electric forklifts with capacity ranging from 0.8 to 25 t, chosen by careful, demanding and international customers.

The new Z series has been conceived keeping in mind all the principles of CARER's design philosophy, from costs reduction to Flexible Power Design: all trucks are flexible to a wide variety of applications, and designed to be customized. All categories of high capacity are designed to be compact and space-saving. These characteristics Z series ideal in any work situation; they can perform even the most difficult tasks with ease.

carer

Z60KN
Z65KN
Z70KN
Z80KN



CONFORT

Driving position is large and offers maximum visibility in every direction.

The layout of controls and instruments on board follow the ergonomic dimensioning.

The best driving position is easily achieved by adjusting the tilt angle and depth of the steering wheel column and act on the levers which adjust the wide seat.

The large cushioned seat is adjustable in every direction and even under the weight of the operator.

The armrests are reclining. A large handle with two wide steps provide access to the driver's seat.

INSTRUMENTATION

Forklift drivers should never be distracted! All details on the functionality of the truck are condensed into a single, comprehensive tool of control "EasyInfo" that consists of a set of warning lights and a display showing the hours worked and the state of battery charge.

When the battery reaches the download limit, the Easy Info locks the lifting function.



STEERING AXLE

Z series utilize a tough rear axle that allows obtaining a very high steering angle.

The hydraulic jack is installed in a protected position and the kinematic motions are equipped with spherical joints.

POWER STEERING

The hydro-drive optimizes energy consumption and enhances dynamic performances perfectly combining the lightness of the steering wheel with the precision of the guide. A special engine operate the hydro-drive.

BRAKING SYSTEM

The "oil-bath" braking system is extremely effective and long lasting.

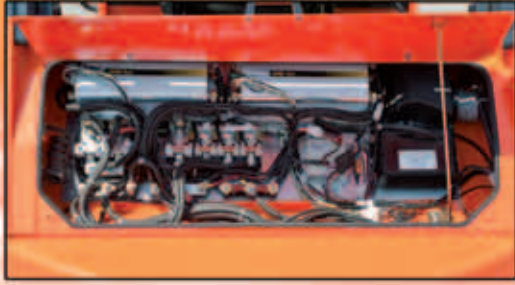
Routine maintenance required for the brake assembly is reduced to a regular oil change.

The electronic braking energy regeneration occurs by reversing the direction of travel, released and lightly pressing the brake pedal.



TYRES

The Z60KN, Z65KN, Z70KN and Z80KN model uses super-elastic tyres but it can also uses cushion type tyres.



ELECTRONICS

All truck functions are managed by sophisticated microprocessor-controlled high frequency MOS electronics and regenerative braking.

The chopper is protected against rainwater infiltration and is cooled by apposite fans.

Installation behind the driver's seat facilitates accessibility and maintenance.

LED-type self-diagnosis system.



BATTERY

To increase autonomy of work there are several different

batteries of various amperage available.

The battery, which can be removed from the vehicle laterally, can be replaced using a hoist or using another forklift.

Power rating 96V.



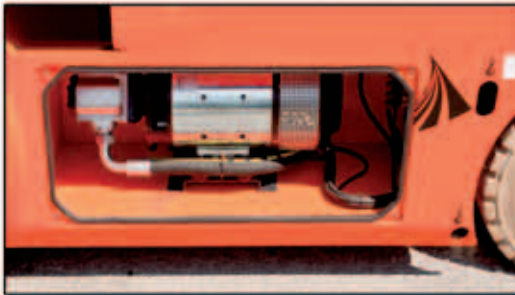
MOTORS

CARER electric motors stand out for their high efficiency and torque.

The electronically dosed power confers unparalleled acceleration, speed and maneuverability.

They feature field weakening and H-class isolation

The complete sparks absence on the collector provides maximum duration.



DRIVE

The front axle is made up of a differential unit that also includes an "oil bath" type braking unit.

Drive reduction occurs inside the wheel hub by way of an epicycloidal mechanism.



MASTS

The lift units allow excellent visibility.

The mast profiles are cold treated to provide optimum resistance to bending and twisting.

The lift cylinders are external to the profiles.

The integrated side shift (optional) does not reduce the rated capacity of the truck.



ELECTRIC FORKLIFT TRUCKS

Z60KN Z65KN Z70KN Z80KN

			CARER				
			Z60 KN	Z65 KN	Z70 KN	Z80 KN	
SPECIFICATIONS	1,1	Manufacturer					
	1,2	Model					
	1,3	Power unit: electric, diesel, L.P.G.			electric		
	1,4	Drive: hand operated, on foot, seated operator			seated driver		
	1,5	Capacity	Q (t)	6.0	6.5	7.0	8.0
	1,6	Load centre	C (mm)	600			
	1,8	Load distance	X (mm)	625 (1)			660 (1)
	1,9	Wheelbase	Y (mm)	1935			2135
	WEIGHTS	2,1	Weight	(kg)	10850	11350	11900
2,2		Axle weight with nominal load front/rear	(kg)	14750 / 1950	15750 / 2100	16750 / 2150	18750 / 2180
2,3		Axle dead weight front/rear	(kg)	4950 / 5900	5150 / 6200	5350 / 6550	5450 / 6900
WHEELS AND TYRES	3,1	Tyres type: CU=cushion, SE=superelastic, PN=pneumatic, SEG=twin superel. VLK=vulkollan PNG=twin pneumatic		C - SE - SEG			
	3,2	Front wheels dimensions		840x356 - 355/65-15 - 8.25-15		840x356 - 355/50-20 - 8.25-15	
	3,3	Rear wheels dimensions		559x203 - 23x10-12			559x229 - 23x10-12
	3,5	Wheels: front/rear number (x=drivewheels)		2X/2 (SEG: 4X/2)			
	3,6	Front tread	b10 (mm)	1312 - 1361 - 1393		1312 - 1355 - 1393	
DIMENSIONS	3,7	Rear tread	b11 (mm)	1055			
	4,1	Tilt lifting group, α =forward / β =backward	α/β (°)	4/8 (2)			
	4,2	Minimum collapsed mast height	h1 (mm)	2900		2750	
	4,3	Free lift	h2 (mm)	100		0	
	4,4	Lifting height	h3 (mm)	3800		3540	
	4,5	Maximum collapsed mast height	h4 (mm)	4790		4550	
	4,7	Height of operator's overhead protection guard	h6 (mm)	2650			
	4,8	Seat height	h7 (mm)	1625			
	4,12	Towing hook height	h10 (mm)	680			
	4,19	Overall length	L1 (mm)	4210		4445	
	4,20	Length including fork thickness	L2 (mm)	3010		3245	
	4,21	Maximum width	b1/b2 (mm)	1669 - 1661 - 1838		1669 - 1670 - 1838	
	4,22	Fork dimensions	exsXL (mm)	200x60x1200			200x70x1200
	4,23	Fork carriage width iso 2328/30, FEM/A,B		4A			
	4,24	Fork carriage width	b3 (mm)	1500 (3)			
	4,31	Mast height from ground (braking of load)	m1 (mm)	150			
	4,32	Centre from ground (braking of load)	m2 (mm)	110			
	4,33	Aisle width with pallet 1000x1200 and 1200 side loading	Ast (mm)	5050		5235	
	4,34	Aisle width with pallet 800x1200 and 800 side loading	Ast (mm)	5080		5265	
	4,35	Turning radius	Wa (mm)	2620		2780	
PERFORMANCE	4,36	Minimum distance from the truck centre line rotation travel speed	b13 (mm)	925			
	5,1	Travel speed, loaded/unloaded	(km/h)	12/13	11.8/12.8	11.7/12.7	11.4/12.4
	5,2	Lift speed, loaded/unloaded	(m/s)	0.24/0.39	0.22/0.39	0.22/0.39	0.20/0.34
	5,3	Lift descent speed, loaded/unloaded	(m/s)	0.50/0.40			
	5,5	Drawbar pull, loaded/unloaded (S2 60°)	(N)	6900/7500	6800/7400	6600/7300	6400/7200
	5,6	Max. drawbar pull, loaded/unloaded (S2 5°)	(N)	16400/17000	16300/16900	16100/16800	15900/16700
	5,7	Surmountable gradient loaded/unloaded (S2 30°)	(%)	6.5/11	6.0/10.5	5.5/10	5.0/9.5
	5,8	Max. surmountable gradient, loaded/unloaded (S2 5°)	(%)	10/16	9.0/15	8.5/14	8.0/13.5
	5,9	Acceleration time	(s)	5.8/5.4	6.0/5.6	6.1/5.7	6.2/5.8
ENGINE / BATT.	5,10	Service brake: mech./hydr./electr.		hydraulic/electric			
	6,1	Drive motor, power (S2 60°)	(kW)	22			
	6,2	Lift-motor, power (S3 20%)	(kW)	25.2			
	6,4	Battery voltage	U (V)	96			
	6,4,1	Rated capacity	K5 (Ah)	840 (4)		920 (4)	
OTHERS	6,5	Battery min/max weight	(kg)	2500/3000		2750/3000	
	8,1	Command type		mosfet			
	8,2	Equipment work pressure	(bar)	160			
	8,4	Noise level at driver's ear	(dBA)	-			

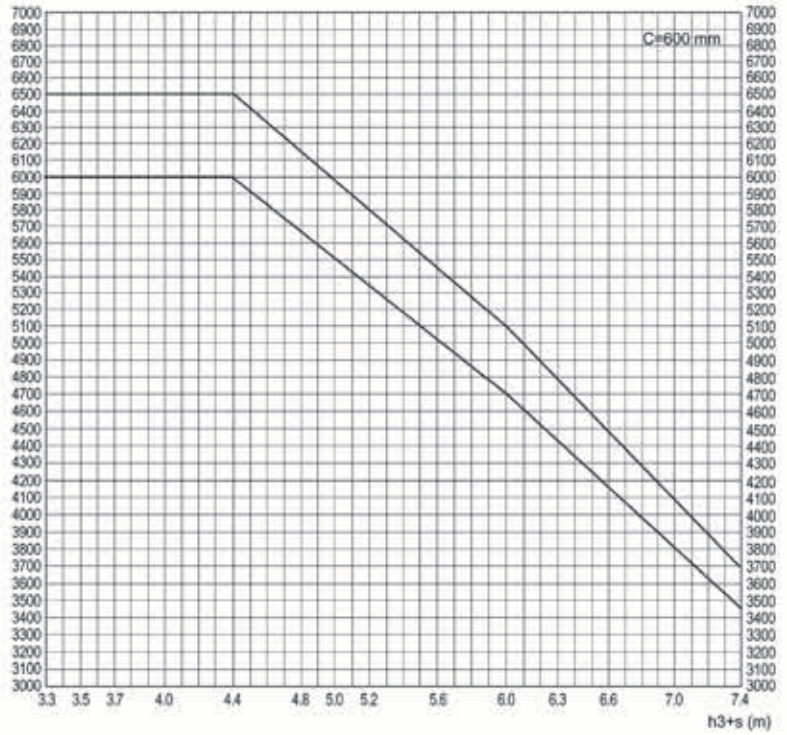
VDI 2198

- (1) With integrated side shifter
- (2) lifting height > 4.5 m, 3°/7°
- (3) On demand 1800 mm
- (4) Other capabilities on demand

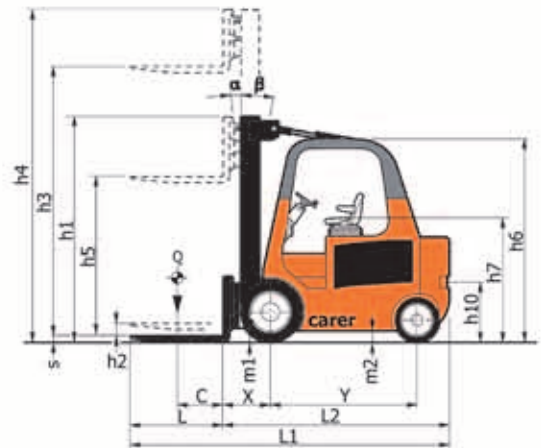
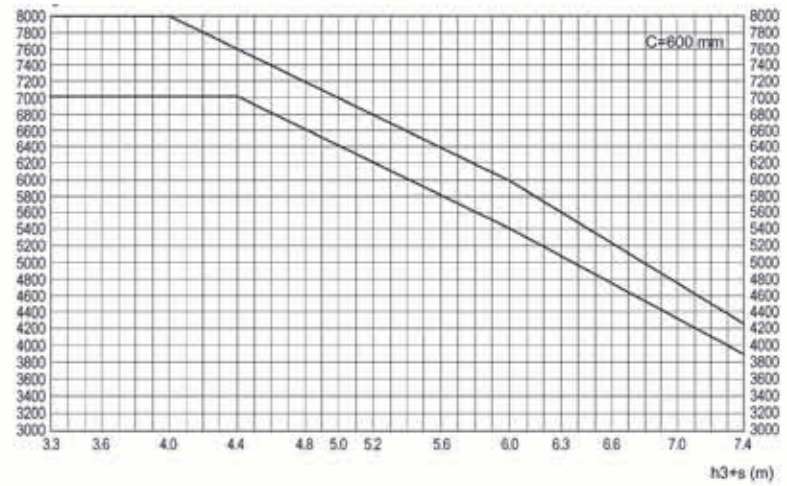
The performance data refer to the forklift truck in perfect working order, with battery weighing no less than the minimum indicated, recharged, well preserved and a voltage (closed circuit) not less than the rated capacity.

Rev3 29/03/11

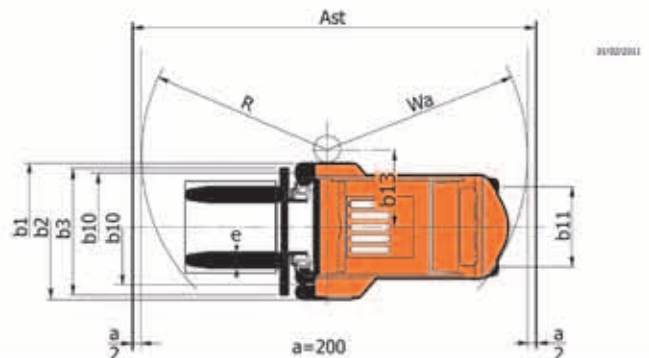
Z65 KN
Z60 KN
Q (kg)



Z80 KN
Z70 KN
Q (kg)



Z60KN
Z65KN
Z60KN
Z80KN





CARER srl

CARRELLI ELEVATORI ELETTRONICI
ELECTRONIC FORK LIFT TRUCKS

Italy

48010 Cotignola Ravenna I
Via Copernico 13
Tel: +39 0545 908611
Fax: +39 0545 41615
www.carer.it info@carer.it

Carer Deutschland GmbH

Enschedestraße 14
48529 Nordhorn
Tel: +49 (0)5921 879 198
Fax: +49 (0)5921 879 150
email: info@carerdeutschland.de

Carer Nederland

Fleminglaan 5
2289CP Rijswijk
Tel: +31 (0)70 413 55 99
Fax: +31 (0)70 413 55 90
email: info@carernederland.nl