

X7



440 - 450 - 460 - 660 - 670 VT-DRIVE
440 - 450 - 460 - 650 - 660 - 670 - 680 - 690 P6-DRIVE

 ENGLISH



McCormick
Power Technology.





NEW X7 SERIES: EFFICIENCY AT ITS VERY BEST



For over 30 years, the Argo Tractors Group has focused its efforts on improving the quality and efficiency of its products. As a result of this strategic choice, Argo Tractors engineers have further upgraded McCormick's superb X7 tractor range, which now leads its class in efficiency, performance, flexibility and comfort.

The new X7 series has been designed to meet the most demanding needs of modern farmers and contractors. Inspired by the automotive design, the new X7 tractor features a wrap-around design and a cab with flat-deck platform and easy-to-use, ergonomically-arranged controls.

Boasting up to 225 hp, the new Betapower Fuel Efficiency engines deliver maximum traction and best-in-class fuel economy, while allowing quick and easy maintenance.

Equipped with a selective catalytic reduction system (SCR) and a diesel oxidation catalyst (DOC), the engines of the new X7 series meet the Stage 4/Tier 4 Final emissions regulations without requiring a diesel particulate filter.

The range comes with a choice of two transmissions: a P6-Drive powershift or a VT-Drive continuous variable transmission. The hydraulic system features a high-flow pump that provides 160 l/min. The electronic management of the hydraulic functions ensures accurate implement control. In addition, a 12-inch touch screen monitor allows implement operation to be controlled with extreme accuracy via a satellite-based guidance and ISOBUS system, thus maximising efficiency and productivity.

Choosing McCormick means choosing cutting-edge technology, uncompromised power and unbeatable reliability.

HIGHLIGHTS

Cab

- › Four-post design with flat-deck platform and semi-active suspension system
- › 12-inch DSM touch screen monitor
- › Automatic climate control

Design

- › Clean, smooth hood design and automotive-style cab
- › Up to 16 LED work lights on hood and cab

Engine

- › Emissions control technology with SCR+DOC system
- › Engine located within a rugged chassis (X7.6) for best performance and enhanced traction
- › Coolers open out to allow easier and faster cleaning

Transmission

VT-Drive four-stage continuous variable transmission:

- › Four programmable speed ranges
- › Transmission controls integrated into the VT Easy Pilot proportional controller
- › Lower fuel consumption, reduced operating costs
- › 40km/h or 50 km/h ECO speed at reduced engine rpm

P6-Drive Powershift transmission with 6 speeds and 5 ranges:

- › Robotized range shifting
- › Engine Brake function
- › Smart APS
- › Stop&Action with De-clutch function integrated in brake pedal

- › Creeper providing up to 54 forward and 27 reverse speeds
- › ECO mode for transport operations and Oil-Cut-Off feature for improved fuel economy

Axles

- › Electronically-controlled independent front suspension
- › Automatic 4WD and differential lock engagement

Hydraulic system

- › Closed-centre hydraulic system with 160 l/min variable displacement pump
- › Electronically-operated rear hitch with 9300 kg maximum lift capacity
- › Four-speed PTO as standard



EXHAUST SYSTEM

emissions – consumptions
page 15

SATELLITE-BASED GUIDANCE

PSM - EazySteer
page 38

CAB

comfort – instruments
safety – electronics
page 7

HYDRAULIC SYSTEM

PTOs – hitches
remote valves
page 30

ISOBUS

implement management
page 39

ENGINE

powers – consumptions
page 12

REAR HITCH

electronically-controlled
page 35

TRACTION

front axle – brakes
page 27

TRANSMISSION

VT-Drive or P6-Drive
page 17







COMFORTABLY SEATED WITH ALL CONTROLS AT HAND



Inside the cab you control everything through simple controls

The four-post cab with panoramic windscreen offers unequalled all-round visibility. All controls are ergonomically designed according to anthropometric standards and servo-assisted to ensure smooth and precise manoeuvring in any situation. A tablet-like touch screen allows for simple and intuitive operation. Sixteen work lights provide excellent illumination for night work and a rearview camera gives the driver unobstructed view behind the tractor.

You feel fresh after a full day in the cab

The engine features a rugged chassis with shock absorbing rubber mounts which help to effectively reduce noise and vibration levels within the cab. The cab with semi-active suspension can be specified with three different shock absorbing levels. The cab offers a flat-deck platform and an air-suspended driver seat with ventilation system. The automatic climate control provides uniform air distribution to ceiling, instrument panel and platform for enhanced operator comfort.

You can make clear hands-free phone calls

The cab is perfectly soundproofed with automotive-grade sound-deadening materials. It comes standard with a stereo radio system with Bluetooth compatible phone, MP3 player and high-quality loudspeakers for clear, powerful sound.

PREMIERE CAB: YOUR NEW OFFICE IN FIRST CLASS

The Premiere Cab is a new-concept four-post design with rear hinged doors that provides unobstructed visibility in all directions giving the driver full view of blind spots without the need to change position. The cab is pressurized to keep a clean, dust-free environment and a highly-efficient sound insulation system maintains an in-cab noise level of only 70 dB for maximum comfort of operation. The optional electrohydraulic cab suspension system further enhances the operator comfort. Wide, well-spaced access steps allow the operator to easily get in and out of the cab, while the buddy seat neatly folds away making for easier and safer access.

The cab interior features an automotive-style fit and finish with easy-clean soft-touch materials.

The instrument panel tilts with the steering wheel to suit the driver's needs. The Alcantara swivel seat with dynamic air suspension system and fully automatic height adjustment features backrest heating and ventilation for ultimate driving comfort. The multi-function right-hand armrest accommodates the main tractor controls arranged in a simple and logical manner. The ergonomically-designed VT-EasyPilot controller provides easy and intuitive control of key tractor functions. Integrated into the armrest is a 12-inch touch screen



The cab of the X7 tractor with P6-Drive transmission is available in two versions:

- › **Premium**, with controls on the armrest
- › **Efficient**, with controls on the right-hand console

HIGHLIGHTS

- › Four-post cab design with flat-deck platform
- › One-piece windscreen for unequalled all-round visibility
- › Mechanical or hydraulic semi-active cab suspension optional
- › Instrument panel tilting with steering column
- › Ventilated air suspension seat with swivel optional
- › Multi-function armrest with ergonomically-designed controller and integrated controls
- › 12" Data Screen Manager touchscreen monitor
- › Hide-away buddy seat for easier access to the cab
- › Automatic climate control
- › Opening transparent roof hatch
- › Automotive-style interior with soft-touch materials
- › Radio with MP3 player and Bluetooth standard
- › Up to 16 latest-generation LED work lights on hood, cab and fenders

monitor with simple tablet-like graphics that allows the operator to quickly manage and adjust the tractor operating parameters. The Premiere Cab's standard equipment includes a refrigerated in-cab storage compartment and bottle holder, 12V sockets for charging mobile devices, an internal mirror and an opening transparent roof hatch providing extra visibility for loader operations. Integrated into the cab roof, a highly efficient automatic climate control maintains the desired cab temperature whatever the outdoor weather conditions.

DRIVER SEAT AND HIDE-AWAY BUDDY SEAT

The driving position features a large and stylish Alcantara upholstered swivel seat with air suspension system and fully automatic height adjustment equipped with heating and ventilation system for maximum driving comfort. Passengers can also travel in comfort thanks to an innovative, upholstered buddy seat, which neatly folds away to allow easier and safer access to the cab.



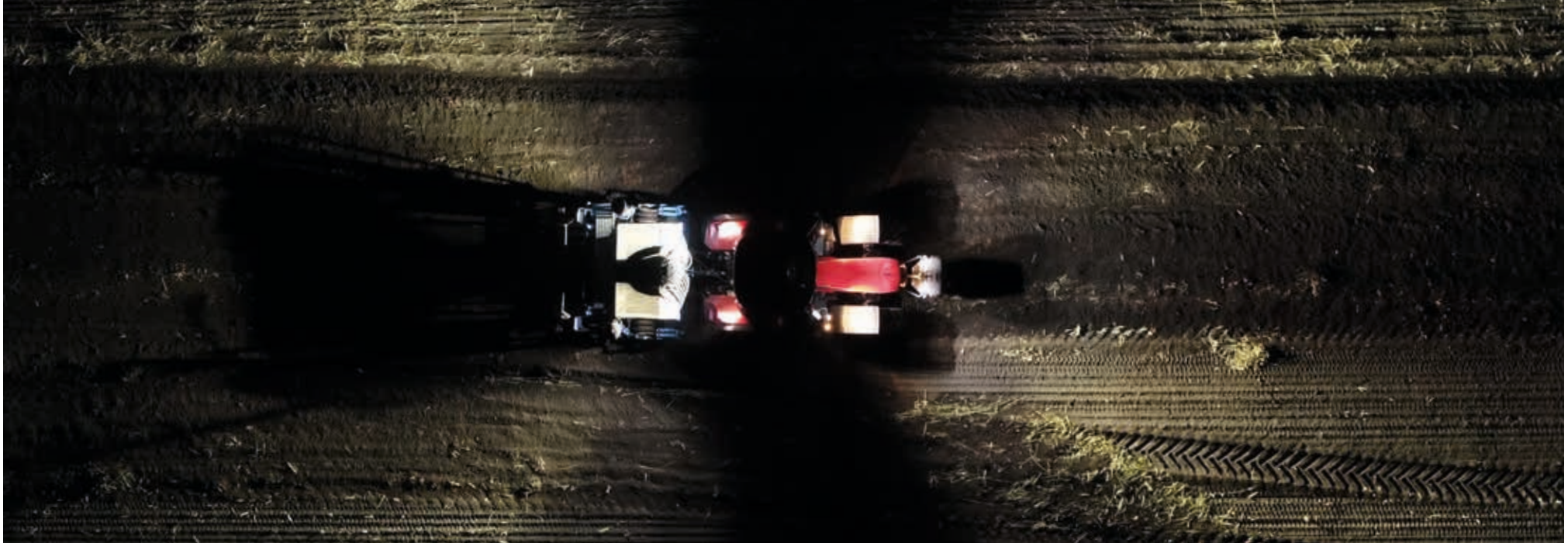
TOUCH SCREEN MONITOR AND MULTI-FUNCTION ARMREST

Thanks to its user-friendly tablet-like graphic interface, the large 12-inch DSM touch screen monitor enables simple and intuitive control of implements. Integrated into the driver's seat, the multi-function armrest is ergonomically designed to allow a quick and intuitive use of main tractor controls.



DIGITAL INSTRUMENT PANEL AND ADJUSTABLE STEERING WHEEL

Simple and intuitive, the new digital instrument panel keeps the operator constantly informed on the tractor's performance. The telescopic tilt-adjustable steering wheel is designed to tilt with the instrument panel.



WORK LIGHTS

The X7 features as many as 16 LED work lights at the front and rear that provide proper illumination during night work.



AUTOMATIC CLIMATE CONTROL AND OPENING ROOF HATCH

A highly-efficient automatic climate control integrated into the cab roof distributes air throughout the cab via strategically positioned vents maintaining the desired cab temperature whatever the outdoor weather conditions. The automatic climate controls are conveniently built into a stylish roof console. An opening transparent roof hatch provides extra visibility for loader operations.



BLUETOOTH RADIO

The Bluetooth radio enables listening to music also through an MP3 player, an AUX cable or a USB flash drive. In addition, an integrated microphone allows the operator to make hands-free phone calls.



IN-CAB STORAGE COMPARTMENT AND BOTTLE HOLDER

A refrigerated in-cab storage compartment is located on the driver's left. Refrigeration can be turned off via a switch. A practical bottle holder is conveniently placed on the driver's right-hand side.



› Mechanical suspension



› Semi-active hydraulic suspension

SEMI-ACTIVE CAB SUSPENSION

Cab Suspension, the new semi-active cab suspension system isolates the tractor body from the wheel vibrations induced by uneven ground conditions, ensuring maximum ride comfort and safety on all terrains.



THE X7 CUTS CONSUMPTION AND EMISSIONS

Cut consumption by 10%

The engine mounted on chassis moves the tractor's centre of gravity forward thus increasing front wheel grip and traction power. Better traction results in reduced fuel consumption with up to 10% fuel saving compared to same-class competitive engines.

Useful technology to make your work easier

The new Beta Power Fuel Efficiency dispenses with the diesel particulate filter. This means less components, less maintenance and consequently less costs. Without a DPF, which is fuel consuming, loses efficiency over time and needs to be replaced after a while, the engine is more powerful, more efficient and more reliable.

It only takes 5 minutes to clean the coolers

McCormick has a goal to simplify all those routine operations that are essential to preserve equipment efficiency and reduce downtime. Coolers opening fully from a single latch allow fast, accurate and easy cleaning. This preserves the efficiency of the cooling system ensuring smooth engine performance.



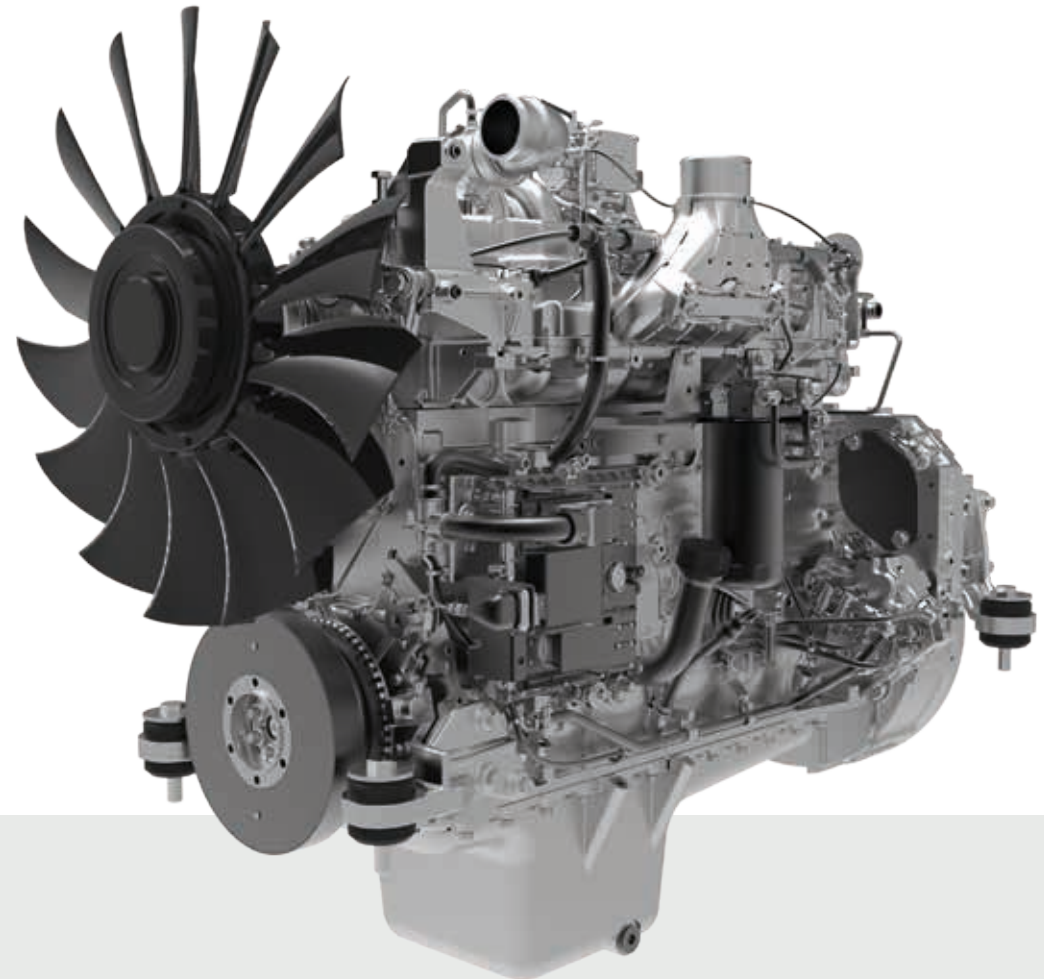
Betapower engines: efficiency that improves your productivity

Eight models in the range are all powered by the new Beta Power Fuel Efficiency turbo engines with four valves per cylinder and common rail injection system. The X7.440, X7.450 and X7.460 cylinder models feature self-supporting 4.5L, four-cylinder engines with power ratings of 141, 155 and 166 hp, while the X7.650, X7.660, X7.670, X7.680 and X7.690 models are equipped with 6.7L, six-cylinder engines located within a rugged chassis which helps reduce noise and vibration levels within the cab. The six-cylinder engines deliver power outputs of 151, 165, 180, 190 and 205 hp. These new engines meet the Stage4/Tier4 Final emissions regulations using the Hi-eSCR system combined with a diesel oxidation catalyst (DOC).

The new Beta Power Fuel Efficiency powering the X7 series is an advanced engine designed to offer farmers simplicity and functionality without compromising on performance, reliability and durability.

HIGHLIGHTS

- › More power with the Power Plus system
- › Electronic engine management and turbo intercooler with common rail injection system
- › High torque backup
- › Engine compliant with Stage4/Tier 4 Final emissions regulations
- › Exhaust gas after-treatment with SCR catalytic converter and DOC diesel oxidation catalyst
- › Chassis for six-cylinder models
- › 320-liter fuel tank for X7.6, 52-liter AdBlue® tank
- › Coolers open out to allow easier and faster cleaning
- › Low maintenance

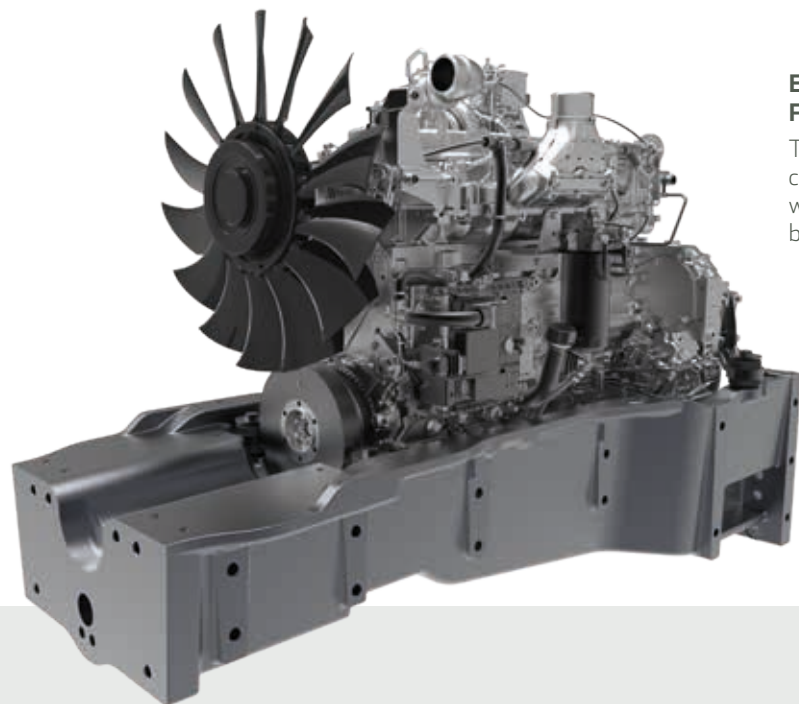


Power Plus for ultimate power

The Power Plus system is designed to electronically adjust the engine power to respond to varying load conditions. During transport applications or PTO operations, the Power Plus automatically delivers additional 10 to 20 hp to handle tough conditions and heavy loads, while maintaining speed and productivity. With the Power Plus the four-cylinder engines will deliver power outputs of up to 150, 165 and 176 hp, while the six-cylinder models will deliver up to 165, 180, 192, 210 and 225 hp, respectively.

Highlights of the Power Plus system

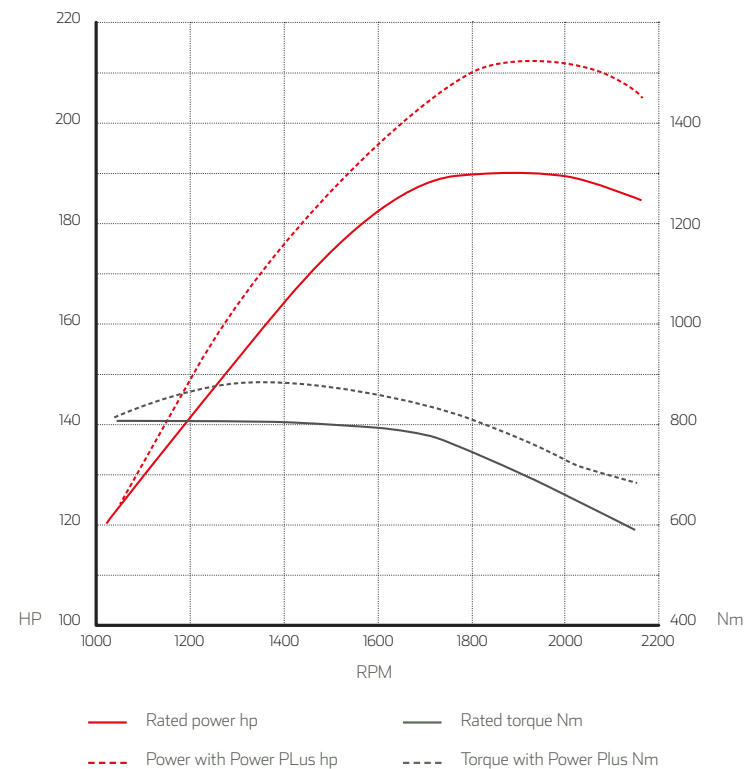
- **Maximum power for implement operation**
- **Superior performance on the road**
- **Fuel saving**
- **Less mechanical wear**



ENGINE CHASSIS FOR X7.6

The six-cylinder models feature a rugged chassis with shock absorbing rubber mounts which support the engine helping isolate both cab and transmission from vibrations.

McCORMICK X7	MAX POWER CV / KW	MAX POWER POWER PLUS CV / KW
X7.440	141 / 104	150 / 111
X7.450	155 / 114	165 / 122
X7.460	166 / 122	176 / 129
X7.650	151 / 111	165 / 122
X7.660	165 / 122	180 / 133
X7.670	180 / 133	192 / 142
X7.680	190 / 140	210 / 155
X7.690	205 / 152	225 / 166



SCR + DOC system to cut down on exhaust emissions

The SCR technology, or Selective Catalytic Reduction, utilizes Adblue® fluid to reduce engine exhaust emissions. The fluid is injected from a separate tank into the exhaust system and then conveyed to the SCR catalytic converter where it reacts with exhaust gases, thus reducing significantly the NOx emissions. The SCR system, used in conjunction with a DOC catalytic converter – a passive oxidation catalyst that reduces primary pollutants – ensures compliance with the strictest emissions regulations. The optimised electronic fuel injection and the enhanced combustion efficiency, combined with the SCR/DOC system, allow the Beta Power engines to deliver more power and torque backup with outstanding fuel economy, resulting in greater flexibility of use.

ENGINE BRAKE FUNCTION

By using the electric motorized throttle valve of the turbocharger, the operator is allowed to increase the brake torque by activating the Engine Brake in combination with the tractor's brakes



MAINTENANCE

The tilt-up hood opens wide to provide easy access to the engine compartment for routine service and maintenance. The coolers located in front of the radiator open fully from a single latch to provide easy cleaning in dusty conditions.



ADBLUE® TANK

The AdBlue® tank holds 52 litres of fluid for the SCR system which represents the best solution to the Stage4/Tier4 Final emission standards.







VT-DRIVE AND P6-DRIVE TRANSMISSIONS, TO ALWAYS BE ONE STEP AHEAD



A powerful and versatile tractor range like the X7 must be able to handle all kinds of tasks and field conditions. That's why McCormick engineers have developed two different transmissions – the VT-Drive continuous variable transmission and the P6-Drive powershift transmission – that provide all the versatility and flexibility required by modern agriculture.



Cab with Premium version: the controls of the VT-Drive transmission are integrated into the armrest of the driver's seat.



Cab with Efficient version: the controls of the P6-Drive transmission are integrated into the right-hand console.

HIGHLIGHTS

- › All transmission controls grouped on the VT Easy Pilot controller
- › Speed shifting without use of the clutch pedal
- › Smooth acceleration, optimum speed control, constant traction
- › Greater concentration on the job in hand with the user-friendly VT-Drive transmission
- › Lower fuel consumption, reduced operating costs
- › Remote Shuttle button, for automatic forward/reverse shifting
- › Engine Brake function to increase the braking performance of the tractor.

VT-DRIVE, CONTINUOUS VARIABLE TRANSMISSION



With the VT-Drive transmission, the X7 responds promptly to your commands
Combining a powerful engine with a latest-generation VT-Drive four-stage continuous variable transmission, the X7 delivers fast acceleration and excellent responsiveness.

You have the most advanced continuous variable transmission in the market
The VT-Drive continuous variable transmission has always stood for efficiency and reliability. Now, an innovative four-stage technology makes it the choice for the future.

VT-Drive: so simple to use that you can't do without
Using the VT-Drive continuous variable transmission is quite easy: just release the parking brake, select the direction with the power shuttle and step on the gas pedal. This simplicity of operation, combined with intuitive controls and a user-friendly touch screen interface, makes the X7 a pleasure to work with.

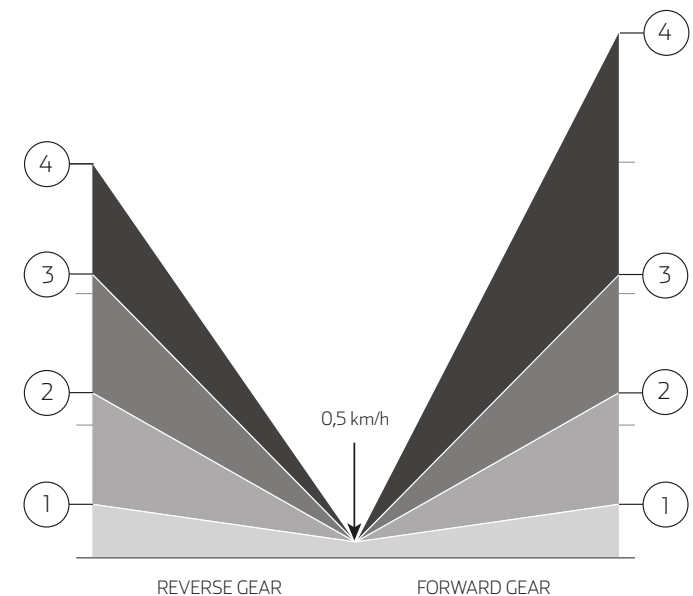
VT-Drive 4-stage continuous variable transmission

The McCormick VT-Drive transmission with its four-stage technology sets a new benchmark in continuous variable transmissions. Using a four-stage instead of usual two-stage CVT transmission offers real benefits to farmers and agricultural contractors who look for multi-purpose tractors capable of ensuring maximum productivity whatever the task or the field conditions. This transmission offers four speed ranges to suit different operating requirements:

- Range 1 Creeper 0,5 - 3 km/h
- Range 2 Field 1 0,5 - 12 km/h
- Range 3 Field 2 0,5 - 21 km/h
- Range 4 Transport 0,5 - 40 or 50 km/h

The VT-DRIVE transmission features four operating modes:

- 1. Auto Mode** - The electronic control unit controls the engine rpm and transmission ratio, based on parameters set on the potentiometer, in order to achieve the required speed.
- 2. Manual Mode** - The operator sets the engine speed using the hand throttle. The electronic unit controls the transmission ratio in order to achieve the required speed.
- 3. PTO Mode** - The operator sets the engine speed using the hand throttle. The electronic unit controls the transmission ratio in order to achieve the required speed, with priority on PTO speed.
- 4. Cruise Mode** - The operator selects the tractor travel speed which remains constant.





VT Easy Pilot multi-function controller

An ergonomically-designed controller named VT Easy Pilot integrated into the right-hand armrest provides easy and intuitive control of the VT-Drive transmission, allowing the operator to drive the tractor and operate the implement with maximum ease and comfort.

The VT Easy Pilot controller enables the operator to select the speed most suited to the implement attached; to either increase or reduce the travel speed without using the accelerator pedal; to shift from forward to reverse without using the steering-column shuttle lever, making for faster headland turns and front loader operations; to operate functions such as the rear hitch fast raise lower, the speed cruise control and one remote valve. All functions are clearly displayed on the instrument panel and on the touch screen monitor.



ELECTROHYDRAULIC POWER SHUTTLE

The reverse power shuttle allows the operator to automatically shift from forward to reverse without use of the clutch pedal, by simply operating the shuttle control lever adjacent to the steering wheel. The shuttle response is electronically modulated and adjustable by the operator if required for different tasks.



P6-DRIVE TRANSMISSION: HIGH EFFICIENCY AND SMOOTH DRIVING



You benefit from the best performance-to-consumption ratio

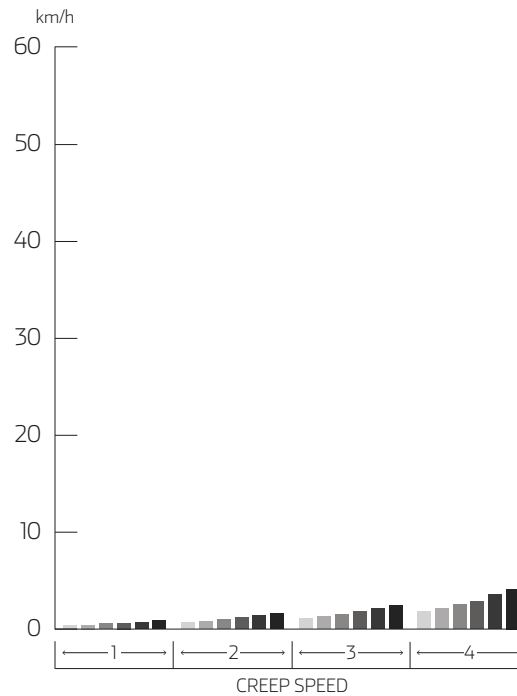
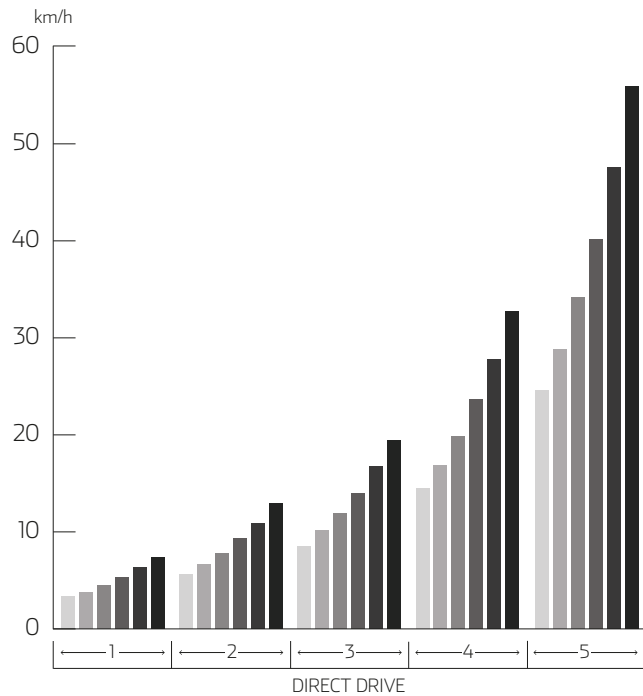
During towing and transport operations, by selecting Auto Powershift you have always the right gear for the job in hand: all you've got to do is just step on the gas pedal and the transmission will do the rest, shifting automatically up and down to suit engine load conditions. This improves tractor performance while reducing fuel consumption.

Stop & Action for smooth and safe driving

The Stop&Action function allows the operator to control the clutch with just a light pressure on the brake pedal. This will result in seamless gear changes and smooth driving, comparable to that of a CVT transmission. In addition, based on tractor's load, a dedicated software decides when to disconnect the clutches for safety reasons.

Near-Zero power loss when in road transport

When overall conditions allow, the oil cut-off function stops lubricating the rear brakes to minimize power loss.



P6-DRIVE transmission, the right speed for every application

The P6-Drive transmission with five ranges and a six-speed on-the-go powershift incorporates a robotized range shifting and an electrohydraulic steering-column power shuttle providing 30 forward and 15 reverse speeds. In addition, a creep speed option provides 54 speeds forward and 27 in reverse.

The X7 range features the Eco Forty mode that ensures a top speed of 40 km/h at reduced engine rpm. Where legally permitted, a top speed of 50 km/h can be reached with the Eco Fifty mode.

In addition, the P6-Drive transmission is equipped with an Oil Cut-off function which manages the braking system more efficiently, thus ensuring better performance on the road and improved fuel economy.

HIGHLIGHTS

- › All transmission controls grouped on a single control lever
- › Robotized range shifting
- › Speed Matching: automatic powershift selection based on tractor speed.
- › Smart APS Auto Powershift: automatic powershifts
- › De-clutch button
- › Stop & Action function to integrate the De-clutch into the brake pedal
- › Shuttle control lever adjacent to the steering wheel with response modulation
- › 54 forward speeds + 27 reverse speeds with creeper
- › Patented My Switch push button activates up to 4 functions with just one switch
- › ECO mode for transport operations and Oil Cut-off mode for improved fuel economy
- › Engine Brake function to increase the braking performance of the tractor.



Electronic transmission management

All functions of the P6-Drive transmission can be conveniently managed through the pushbuttons integrated into the armrest:

- › Selectable drive off gear
- › Speed Matching: automatic powershift selection based on tractor speed
- › Range skip shifting
- › Smart APS Auto Powershift: automatic shifting through all powershifts with ECO/POWER modulation adjustment. Based on the engine load, the transmission control unit may skip directly from one range to another.
- › Shuttle Modulation Control: adjustment of power shuttle response
- › De-clutch button: shifting without clutch pedal
- › Stop&Action: integrates the De-clutch function into the brake pedal. Based on engine load, a dedicated software decides when to disconnect the clutches to ensure maximum safety on sloping ground.




ELECTROHYDRAULIC POWER SHUTTLE

The reverse power shuttle allows the operator to automatically shift from forward to reverse without use of the clutch pedal, by simply operating the shuttle control lever adjacent to the steering wheel. The shuttle response is electronically modulated and adjustable by the operator.

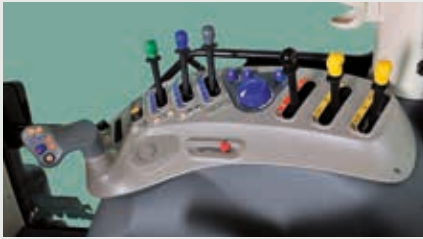


SMART APS AUTO POWERSHIFT

The Smart APS dial in the armrest allows the engine speed parameters to be adjusted from an ECO through to a Power setting.



The controls of the P6-Drive transmission in the cab with Premium trim are located on the armrest of the driver's seat.



The controls of the P6-Drive transmission in the cab with Efficient trim are located on the right-hand console.

Multi-function controller

An ergonomically-designed controller integrated into the right-hand armrest provides easy and intuitive control of the P6-Drive transmission, allowing the operator to shift through all gears and ranges without depressing the clutch pedal. The powershift button enables seamless speed progression both in the field and on the road. The multi-function controller incorporates our unique patented My Switch button that allows the operator to select and activate up to four different functions: the APS Auto Powershift facility, differential lock, 4WD operation and De-clutch button. Also built into the control handle are additional buttons to operate other functions such as the rear hitch fast raise lower, speed cruise control, one remote valve and the headland management. All functions are clearly displayed on the digital instrument panel and on the 12-inch touch screen monitor. On the X7 tractors with P6-Drive transmission, the cab is available in two versions:

- Premium, with controls on the armrest;
- Efficient, with controls on the right-hand console which also integrates the multi-function controller.

Smart APS Auto Powershift

On the X7 range, the P6-Drive transmission can be controlled both manually and automatically. Based on load conditions, engine speed and rpm, the Auto Powershift (Smart APS) facility allows the operator to automatically select the right gear in each range for best performance and optimum fuel economy.

Stop & Action System

The Stop&Action system integrates the De-clutch function into the brake pedal. This allows the operator to stop the tractor without depressing the clutch pedal and without using the power shuttle. Using the Stop&Action system combined with the APS function, the P6-Drive transmission ensures a smooth driving, comparable to that of a CVT transmission.





MCCORMICK X7, LIGHTWEIGHT AND STRONG LIKE NO OTHER



Less soil compaction with the X7 tractor

With the engine located within a chassis, the X7 is the best balanced tractor in its power class with 45% per cent weight balance at the front and 55% at the rear. This excellent weight distribution helps reducing the amount of soil compaction.

Easy and relaxing to drive

Driving the X7 tractor is easy and effortless. This means better concentration on the job in hand and less fatigue for the operator at the end of the day.

Maximum power transfer to the ground

With the engine located within a chassis and the rugged front axle with independent wheels, the X7 is the tractor that transfers more power to the ground in its class.



Traction, manoeuvrability and comfort on all terrains

The X7 offers outstanding traction and excellent manoeuvrability ensuring optimum grip and stability for superior driving comfort in the field and on the road. The rugged front axle is equipped with full hydraulic locking differential and electro hydraulic four-wheel drive engagement ensuring maximum efficiency and safety on all terrains. High capacity wet multi-disc rear axle brakes ensure safe controlled stopping power. Also when braking, the four-wheel drive engages automatically, which in turn brakes the front axle for efficient braking on all four wheels. All X7 tractors are equipped with brake power boosting system to reduce the effort required by the operator while improving driving accuracy.



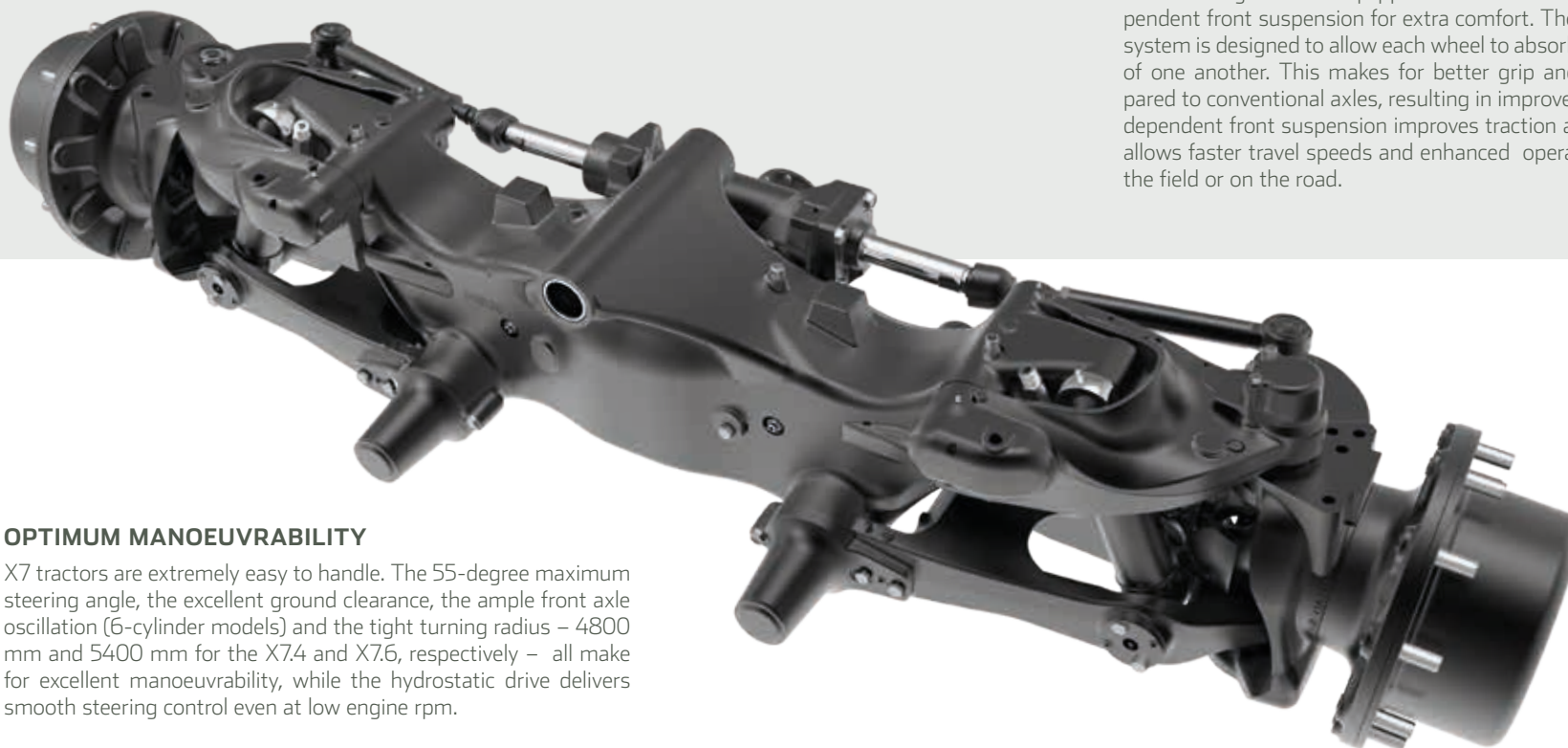
AUTOMATIC 4WD AND DIFFERENTIAL LOCK ENGAGEMENT FOR EASY HEADLAND TURNING

All X7 Series models are equipped with combined front and rear differential locks to reduce wheel slip and maximise traction. The system is controlled electronically through the Auto function which automatically engages or disengages the differential lock and the four-wheel drive during headland operations.



INDEPENDENT FRONT SUSPENSION

The X7 range can be equipped with an electronically-controlled independent front suspension for extra comfort. The independent front axle system is designed to allow each wheel to absorb impacts independently of one another. This makes for better grip and greater stability compared to conventional axles, resulting in improved driving safety. The independent front suspension improves traction and manoeuvrability and allows faster travel speeds and enhanced operator comfort, whether in the field or on the road.



OPTIMUM MANOEUVRABILITY

X7 tractors are extremely easy to handle. The 55-degree maximum steering angle, the excellent ground clearance, the ample front axle oscillation (6-cylinder models) and the tight turning radius – 4800 mm and 5400 mm for the X7.4 and X7.6, respectively – all make for excellent manoeuvrability, while the hydrostatic drive delivers smooth steering control even at low engine rpm.



MCCORMICK X7, THE PERFECT MATCH FOR ANY IMPLEMENT

The hydraulic system of the X7 is tailored to your specific needs

Designed to provide high-flow capability, the hydraulic system of X7 features high-quality components and provides unmatched configuration flexibility to meet the farmers' specific requirements.

Unlimited versatility in using implements

Featuring a more rigid chassis, the X7.6 model can be fitted with a front hitch without requiring additional reinforcement. This adds greater versatility to the tractor for applications using front-mounted implements.

Powerful, easy-to-use rear hitch

The electronically-controlled rear hitch provides a maximum lift capacity of 9300 Kg and allows precise implement operation thanks to an ergonomically-designed, easy-to-use push button integrated into the multifunction joystick control lever.





THE X7 KNOWS HOW TO PUMP UP YOUR **PRODUCTIVITY**



The X7 series tractors feature a closed-centre hydraulic system with variable-displacement pump. This means that the pump always delivers exactly the quantity of oil that the system requires, thereby eliminating unnecessary power waste. The system supplies up to 123 l/min to the hitch and remote valves, allowing for simultaneous operation of all hydraulic functions.

For the Premium P6-Drive and VT-Drive versions a high-flow pump with a total flow of 160 l/min is available as an option.

The Efficient P6-Drive models come standard with an open-centre hydraulic system with a total flow of 88 l/min. Optionally, a closed-centre system with a total flow of 123 l/min can be supplied.

Each hydraulic circuit is equipped with a pump that supplies 44 l/min to the steering system.



HIGHLIGHTS

- › Closed-centre hydraulic system with variable-displacement pump (160 l/min hydraulic flow rate)
- › Electronically-controlled rear hitch with up to 9300 kg lift capacity
- › 4-speed PTO as standard
- › Constant PTO power with the Power Plus system
- › Up to 8 dedicated electrohydraulic remote valves
- › Front hitch and PTO option

Rear PTO

The X7 range has been designed to operate in a variety of conditions with heavy, power-demanding implements. The PTO offers four speeds: 1000, 1000Eco, 540 and 540Eco rpm and the driveline design ensures minimal power loss and therefore maximum productivity. An electro hydraulically operated clutch enables smooth and modulated engagement of the PTO, ensuring a soft start-up of the implement. The X7 series tractors are equipped with Power Plus system, which automatically increases power available when the PTO is operational. This enables the engine to maintain a constant power as the load varies, allowing optimum use of the PTO for enhanced tractor performance and productivity. The ergonomically-designed VT Easy Pilot controller enables comfortable and intuitive control of the rear hitch and implements. Offering a maximum lift capacity of 9300 kg, the three-point hitch is Category III and is equipped with lower link draft sensing for accurate implement control.

REMOTE VALVES

The X7 tractors can be fitted with up to eight electro hydraulically-controlled double-acting remote valves. These are operated via four fingertip controls integrated into the armrest and through a mini-joystick which operates two valves that control either a front hitch or a front loader.



AUTO PTO FUNCTION

The Auto PTO feature will automatically disengage and reengage the PTO at three-point linkage heights set by the operator. This gives the operator precise control of the implement during headland turns.



SIMPLE USE OF ELECTRONICALLY-CONTROLLED REAR HITCH

External PTO, hitch and remote valve controls are located on the rear fenders making it easier to attach implements from the ground.





McCormick M Series front loader: powerful and versatile

Designed to be integrated into the X7 tractor range, the McCormick M120, M140 and M180 front loaders are built from HLE (High Limit Elasticity) steel, a material capable of withstanding high loads thanks to its mechanical properties.

The main strong points of the M series loader are:

- Hydraulic lines hidden inside the loader arms to ensure unobstructed view during operation;
- The piping of the hydraulic system is rigid to reduce oil overheating during intensive use and to simplify maintenance operations;
- A position indicator allows operator to quickly determine implement position;
- Used in combination with a Euro Hitch tool carrier, the loader can be fitted with a wide range of implements;

- The M180 model provides a maximum lift capacity of 2300 kg;
- The loader features a suspension with two nitrogen-charged accumulators placed between the cylinders that ensures a smooth ride at all times;
- The X7 is equipped with supports designed to make fitting and removal of the M series loader easier;
- M series loaders can be used in conjunction with a front-mounted hitch.

The X7 further features a conveniently placed controller and a high-visibility transparent roof hatch allowing the operator to comfortably sit in the driving position while working with the loader fully raised. McCormick M series front loaders ensure maximum productivity in any application.



Front hitch and PTO for maximum flexibility

A front hitch and PTO are available as an option to add greater versatility to the tractor for applications using front-mounted implements and rear and front implement combinations. Offering a maximum lift capacity of 3500 kg, the front hitch is Category II and features raise/lower and float controls. The 1000-rpm PTO is electro-hydraulically engaged via a pushbutton. External PTO and hitch controls are located on the rear fenders making it easier to attach implements from the ground.





SATELLITE-BASED GUIDANCE: BEST-IN-CLASS ECONOMY AND PRODUCTIVITY



With precision farming tools the X7 makes you save up to 7% of costs

As research in the sector has demonstrated, the satellite-based guidance system of the X7 tractor helps saving up to 7% on costs of fuel, equipment, fertilisers and pesticides.

Perform any task with maximum efficiency

With the ISOBUS system the operator can manage the implements without the need to install a control unit inside the cab. The implement operating parameters are monitored via a simple touch screen display.

Convert accuracy into profit

The satellite-based guidance allows operator to set the working track with a maximum error of 2 cm: a degree of accuracy that even the most expert operators cannot achieve. This level of precision maximises yield and productivity.

SATELLITE-BASED GUIDANCE: HIGHER ACCURACY, GREATER PRODUCTIVITY



The optional satellite-based guidance system is controlled via a dedicated 8.4-inch touch screen monitor in conjunction with a satellite antenna fitted on the roof of the tractor cab. The monitor manages two functions:

1. The Precision Steering Management system: using the real-time kinematic (RTK) navigation method, the system provides precise steering control in row-crop operations delivering up to 2cm pass-to-pass accuracy. Such a high level of precision greatly increases productivity per unit land area. Supplied in conjunction with the satellite guidance system is also the Eazysteer function, which allows the tractor to make a complete turn with just a quick turning of the steering wheel. This avoids multiple turns of the steering wheel, thereby improving ride comfort and optimising working time.
2. Configuration and control of the ISOBUS system with management of advanced features such as ISO-TC and TC-GEO.



SATELLITE ANTENNA

The satellite antenna placed on the cab roof receives the GNSS (Glonass and GPS) signal.



ELECTRONIC STEERING WHEEL

The X7 can be specified with the Topcon electronic steering wheel which allows extremely precise steering, reducing operator fatigue and saving time and fuel.

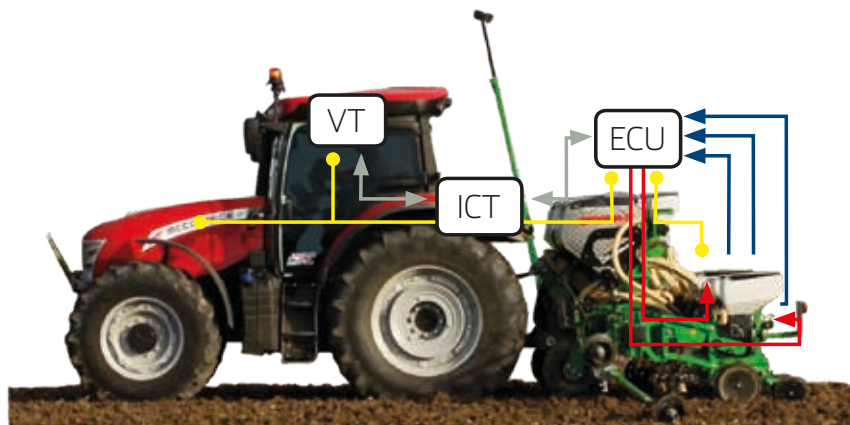
ISOBUS, FOR SIMPLE AND EFFICIENT IMPLEMENT CONTROL

The X7 tractor range can be optionally equipped with an ISOBUS system, a protocol for data communication between tractor, implement and on-board computer, that enhances operating efficiency and productivity. With the ISOBUS system, the operator can manage the operating parameters and performance of the implement via a simple touch screen monitor, without the need to install a dedicated control unit inside the cab.



TOUCH SCREEN MONITOR

An 8.4-inch touch screen monitor manages the satellite-based guidance and the ISOBUS system.



Benefits of satellite-based guidance and ISOBUS system

The satellite-based guidance and the ISOBUS system maximise efficiency and productivity while improving riding comfort and safety:

- › Each implement operation is controlled with extreme accuracy. Implement can also be managed via an electronic self-adjustment feature.
- › Reducing the travelled distance in the field reduces tractor and implement wear and saves fuel.
- › The application of variable rate treatments eliminates skips and overlaps; this minimizes product wastes and reduces working time while maximizing efficiency and crop yield.
- › Precision farming reduces chemical residues. For example, it makes it possible to place fertilizer only in a specific row that will be sown at later date: at the time of seeding, the row will be found thanks to the map system of the automatic guidance.
- › To make satellite-based guidance safer, the X7 is equipped with sensors which reacts to the presence of persons or things that are not displayed on the satellite map. If, for example, a child appears within the tractor working area but in a spot not visible to the operator, the system will detect it and react promptly.
- › Report and pre-setting operations become more user-friendly and can be done from home. This eliminates the need for expert operators, thus reducing operating costs.



QUICK MAINTENANCE TO GET YOU BACK UP AND RUNNING

Designed to deliver maximum efficiency and reliability, the X7 range offers a variety of solutions to simplify and expedite maintenance.

- › The tilt-up hood opens wide to provide easy access to the engine compartment for maintenance and radiator cleaning.
- › Oil filler cap is placed in the lower part of the engine, so topping up of engine oil can be done without opening the hood.
- › Engine air filter is positioned in such a way as to facilitate cleaning and replacement.
- › The cooling radiators open fully from a single latch to allow fast and easy cleaning.
- › The fuel and AdBlue tanks are conveniently placed to allow quick filling. Tank caps have different colours.
- › In-cab air filter is easily accessible for maintenance.
- › Oil level in the transmission can be conveniently checked through the oil filler cap with dipstick placed on the rear of the tractor.
- › Windscreen wiper fluid reservoir is located on the back of the cab.





MCCORMICK SPARE PARTS AND SERVICE, TO GIVE YOU THE BEST ALWAYS

McCormick is worldwide recognized as a reliable supplier of high-quality spare parts and after-sales services. Developed by the same engineers who design and manufacture the McCormick tractors, genuine McCormick parts are designed and manufactured to the highest quality standards to ensure tractors reliable performance and maximum safety.

The pluses of McCormick's after-sales service include following:

- Spare parts are delivered promptly and efficiently to McCormick's dealers on the same day of order.

- Each part comes with a 12-month warranty and bears a non-falsifiable hologram which certifies its build quality and genuineness.

- Original McCormick parts are reliable and convenient, as they enhance the working quality and efficiency of the X7 tractors.

After-sales service is handled by our dealers through a team of highly-skilled, solution-oriented technicians who avail themselves of the latest diagnostic techniques. Choosing McCormick means choosing excellence.



McCORMICK, INNOVATORS BY TRADITION



Cyrus Hall McCormick was born in Virginia, United States, in 1809. As a pioneer in engineering, McCormick had a stunning ability to mechanize farm work, as he demonstrated when, in 1831, he invented the first mechanical reaper.

The McCormick company was established in 1847. It produced wheat harvesters. Starting from 1866, the company adopted the colour red which from then on would distinguish McCormick around the world. In 1871, McCormick manufactured the greatest number of machines than any other company: 250 reapers per day. The first tractor, the Mogul 8-16, was launched in 1910. In those years, the company opened up factories in Canada, Great Britain, Germany, France and Sweden.

In the following years, the company was bought and sold various times. In 2001, McCormick was acquired by the Argo Group, which re-launched the brand under the name McCormick Tractors International Limited.

Today, McCormick is a world leader in the tractor industry and its name stands for uncompromised technology and innovative design. Thanks to heavy investments in research and development, the new generation of McCormick tractors is now positioned at the top of the market for performance and innovation. Farmers look for performance, reliability and versatility and this is exactly what McCormick offers its customers to maximize their productivity.



ARGO TRACTORS: QUALITY OF WORK , QUALITY OF LIFE

Picking up and revitalizing the wealth of experience and technology of the companies that have made the history of mechanized farming. This is the commitment of Argo Tractors SpA, the industrial group that with the Landini, McCormick and Valpadana brands has created a global tractor manufacturing hub. Argo Tractors' strategy is based on close integration between engineering, manufacturing and marketing activities. The R&D and engineering division is located at the main headquarters in Fabbrico (Reggio Emilia). The production is based on the synergy between three plants, each of which dedicated to a specific product line, and two spare parts distribution centres based in Italy and the United States.

Today, with the Landini, McCormick and Valpadana brands, Argo Tractors offers one of the most comprehensive product ranges on the market, covering 3-, 4- and 6-cylinder tractor families in the power range from 25 to over 310 hp for a variety of open-field, vineyard and orchard applications, including crawler, utility and equal-wheeled tractors. But more importantly, at the heart of Argo Tractors' project is man, with the company's commitment to respect the environment and make the daily work of farmers safer and more comfortable.



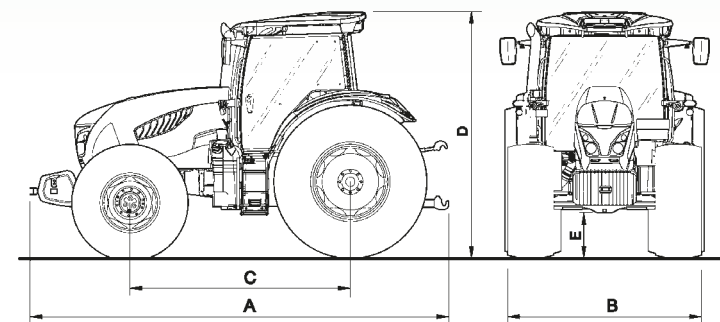
		X7.440 VT DRIVE	X7.450 VT DRIVE	X7.460 VT DRIVE	X7.660 VT DRIVE	X7.670 VT DRIVE
ENGINE						
STAGE 4/TIER 4 FINAL		BETAPOWER	BETAPOWER	BETAPOWER	BETAPOWER	BETAPOWER
ELECTRONIC HIGH PRESSURE COMMON RAIL		•	•	•	•	•
TURBO/AIR-TO-AIR INTERCOOLER		•	•	•	•	•
MAX ENGINE POWER WITH POWER PLUS AT 1900 RPM (ISO TR 14396 ECE R120)	HP/KW	150 / 111	165 / 122	176 / 129	181/133	192/142
RATED ENGINE POWER WITH POWER PLUS AT 2200 RPM (ISO TR 14396 ECE R120)	HP/KW	137 / 101	151 / 111	170 / 125	165/121	179/132
MAX ENGINE POWER AT 1900 RPM (ISO TR 14396 ECE R120)	HP/KW	141 / 104	155 / 114	166 / 122	166/122	181/133
RATED ENGINE POWER AT 2200 RPM (ISO TR 14396 ECE R120)	HP/KW	137 / 101	151 / 111	159 / 117	161/118	176/129
RATED ENGINE SPEED	RPM	2200	2200	2200	2200	2200
MAX TORQUE (WITH POWER PLUS) (ISO TR 14396 ECE R120)	NM	594 (615)	652 (676)	693 (693)	694 (738)	758 (800)
ENGINE RPM @ MAX TORQUE (WITH POWER PLUS)	RPM	1400 (1400)	1400 (1400)	1400 (1400)	1400 (1400)	1400 (1400)
ENGINE RPM @ MAX POWER (WITH POWER PLUS)	RPM	1900 (1900)	1900 (1900)	1900 (1900)	1900 (1900)	1900 (1900)
TORQUE RISE (WITH POWER PLUS)		36% (41%)	36% (41%)	37% (28%)	35,5% (40,5%)	35,5% (40,5%)
BORE / STROKE	MM	104 / 132	104 / 132	104 / 132	104 / 132	104 / 132
DISPLACEMENT (CM ³) / NO. OF CYLINDERS/ NO. OF VALVES		4500 / 4 /16	4500 / 4 /16	4500 / 4 /16	6728 / 6 /24	6728 / 6 /24
SCR + DOC AFTER-TREATMENT SYSTEM		•	•	•	•	•
COMPRESSION RATIO		17,1 : 1	17,1 : 1	17,1 : 1	17,1 : 1	17,1 : 1
WATER COOLING		•	•	•	•	•
AXIAL AIR FILTER WITH CYCLONE PRE-CLEANING		•	•	•	•	•
AIR FILTER EJECTOR		•	•	•	•	•
ADBLUE TANK CAPACITY	L	52	52	52	46	46
FUEL TANK CAPACITY	L	280	280	280	320	320
CLUTCH						
MULTI-DISC WET CLUTCH		•	•	•	•	•
TRANSMISSION						
VT-DRIVECONTINUOUS VARIABLE TRANSMISSION (4 CVT RANGES)		•	•	•	•	•
ECO FORTY (40 KM/H) AT REDUCED ENGINE RPM		•	•	•	•	•
TOP FIFTY (50 KM/H) AT REDUCED ENGINE RPM		○	○	○	○	○
REVERSE POWER SHUTTLE		•	•	•	•	•
ELECTROHYDRAULIC DIFFERENTIAL LOCK ON REAR AXLE		•	•	•	•	•
FLANGED-TYPE AXLE		•	•	•	•	•
BAR-TYPE AXLE		○	○	○	○	○
POWER TAKE-OFF						
WET MULTI-DISC PTO CLUTCH		•	•	•	•	•
MODULATED ELECTROHYDRAULIC ENGAGEMENT		•	•	•	•	•
FOUR SPEEDS: 1000/1000E/540/540E	RPM	•	•	•	•	•

TRANSMISSION VT DRIVE

	X7.440 VT DRIVE	X7.450 VT DRIVE	X7.460 VT DRIVE	X7.660 VT DRIVE	X7.670 VT DRIVE
POWER TAKE-OFF					
1"3/8 PTO SHAFT WITH 6 AND 21 SPLINES	•	•	•	•	•
FRONT 4WD AXLE					
RIGID TYPE	•	•	•	•	•
WITH ELECTRONICALLY-CONTROLLED HYDRAULIC SUSPENSIONS	○	○	○	○	○
ELECTROHYDRAULIC 4WD ENGAGEMENT	•	•	•	•	•
MAX. STEERING ANGLE	55°	55°	55°	55°	55°
ELECTROHYDRAULIC DIFFERENTIAL LOCK	•	•	•	•	•
BRAKING SYSTEM					
WET MULTI-DISK REAR BRAKES	•	•	•	•	•
AUTOMATIC 4WD ENGAGEMENT ON BRAKING	•	•	•	•	•
BRAKING BOOSTER SYSTEM SERVO BRAKE	•	•	•	•	•
HYDRAULIC TRAILER BRAKING	○	○	○	○	○
PNEUMATIC TRAILER BRAKING	○	○	○	○	○
HYDRAULIC SYSTEM					
CLOSED-CENTRE CIRCUIT	•	•	•	•	•
HYDRAULIC PUMP FLOW	L/MIN	—	—	160	160
HYDRAULIC PUMP FLOW	L/MIN	123	123	123	123
STEERING PUMP FLOW	L/MIN	44	44	44	44
ELECTROHYDRAULICALLY-OPERATED REMOTE VALVES	STD/OPT	3/5 o 7	3/5 o 7	3/5 o 7	3/5 o 7
CAN BUS LIFT CONTROL HITCH					
ELECTRONICALLY-CONTROLLED HITCH	•	•	•	•	•
MAX LIFT CAPACITY	KG	9300	9300	9300	9300
THREE-POINT HITCH	CAT	3N - 3	3N - 3	3N - 3	3N - 3
CAB AND DRIVING POSITION					
PREMIERE CAB WITH FOUR-POST DESIGN AND FLAT-DECK PLATFORM	•	•	•	•	•
ELECTRONICALLY-CONTROLLED HYDRAULIC CAB SUSPENSION (SEMI-ACTIVE CAB SUSPENSION)	•	•	•	○	○
AUTOMATIC CLIMATE CONTROL	•	•	•	•	•
DIGITAL INSTRUMENT PANEL WITH PERFORMANCE MONITOR	•	•	•	•	•
SUPER DELUXE AIR SUSPENSION SEAT WITH ARMREST	•	•	•	•	•
DELUXE LOW-FREQUENCY AIR SUSPENSION SEAT WITH VENTILATION AND ARMREST	○	○	○	○	○
RADIO / BLUETOOTH / MP3 READY	•	•	•	•	•
ISOBUS ADAPTOR	○	○	○	○	○
12" TOUCH SCREEN MONITOR	○	○	○	○	○
SATELLITE GUIDANCE KIT (8.4" TOUCH SCREEN MONITOR +ANTENNA)	○	○	○	○	○
HIDE AWAY BUDDY SEAT + AIR-CONDITIONED IN-CAB STORAGE COMPARTMENT	•	•	•	•	•

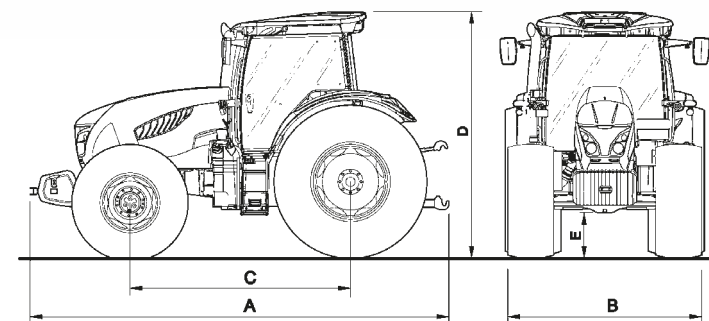
		X7.440 VT DRIVE	X7.450 VT DRIVE	X7.460 VT DRIVE	X7.660 VT DRIVE	X7.670 VT DRIVE
CAB AND DRIVING POSITION						
LED LIGHTS		●	●	●	●	●
DIMENSIONS AND WEIGHTS						
FRONT TYRES		540 / 65R28	540 / 65R28	540 / 65R28	540 / 65R28	540 / 65R30
REAR TYRES		650 / 65R38	650 / 65R38	650 / 65R38	650 / 65R38	650 / 65R42
A - MAX LENGTH (WITH BALLAST WEIGHTS)	MM	5070	5070	5070	5260	5260
B - MIN WIDTH	MM	2430	2430	2430	2430	2430
C - WHEELBASE	MM	2600	2600	2600	2820	2820
D - HEIGHT OVER CAB	MM	2920	2920	2920	2920	3055
E - GROUND CLEARANCE	MM	485	485	485	485	550
TOTAL WEIGHT WITH EMPTY TANK, WITHOUT BALLAST WEIGHTS	KG	6850	6850	6850	7160	7360
GROSS VEHICLE WEIGHT	KG	11500	11500	11500	11500	13000
OPTIONAL EQUIPMENT						
FRONT BALLAST WEIGHTS 45 KG EACH		16	16	16	16	16
FRONT HITCH (MAX LIFT CAPACITY)	KG	3500	3500	3500	3500 ○	3500 ○
FRONT HITCH AND PTO		○	○	○	○	○
FRONT WEIGHT FOR HITCH 800 KG		○	○	○	○	○
FRONT WEIGHT FOR HITCH 1400 KG		○	○	○	○	○

Key: ● standard ○ option — not available



	X7.440 P6 DRIVE	X7.450 P6 DRIVE	X7.460 P6 DRIVE	X7.650 P6 DRIVE	X7.660 P6 DRIVE	X7.670 P6 DRIVE	X7.680 P6 DRIVE	X7.690 P6 DRIVE
CAB AND DRIVING POSITION								
DIGITAL INSTRUMENT PANEL WITH PERFORMANCE MONITOR	●	●	●	●	●	●	●	●
AIR SUSPENSION SEAT WITHOUT ARMREST (EFFICIENT VERSION)	●	●	●	●	●	●	●	●
SUPER DELUXE AIR SUSPENSION SEAT WITH ARMREST (PREMIUM VERSION)	●	●	●	●	●	●	●	●
DELUXE LOW-FREQUENCY AIR SUSPENSION SEAT WITH VENTILATION AND ARMREST (PREMIUM VERSION)	○	○	○	○	○	○	○	○
RADIO / BLUETOOTH / MP3 READY	●	●	●	●	●	●	●	●
ISOBUS ADAPTOR	○	○	○	○	○	○	○	○
12" TOUCH SCREEN MONITOR	○	○	○	○	○	○	○	○
SATELLITE GUIDANCE KIT (8.4" TOUCH SCREEN MONITOR + ANTENNA)	○	○	○	○	○	○	○	○
HIDE AWAY BUDDY SEAT + AIR-CONDITIONED IN-CAB STORAGE COMPARTMENT	●	●	●	●	●	●	●	●
LED LIGHTS	●	●	●	●	●	●	●	●
DIMENSIONS AND WEIGHTS								
FRONT TYRES	540 / 65R28	540 / 65R28	540 / 65R28	540 / 65R28	540 / 65R28	540 / 65R30	540 / 65R30	540 / 65R30
REAR TYRES	650 / 65R38	650 / 65R38	650 / 65R38	650 / 65R38	650 / 65R38	650 / 65R42	650 / 65R42	650 / 65R42
A - MAX LENGTH (WITH BALLAST WEIGHTS)	MM 5070	5070	5070	5260	5260	5260	5260	5260
B - MIN WIDTH	MM 2430	2430	2430	2430	2430	2430	2430	2430
C - WHEELBASE	MM 2600	2600	2600	2820	2820	2820	2820	2820
D - HEIGHT OVER CAB	MM 2920	2920	2920	2920	2920	3055	3055	3055
E - GROUND CLEARANCE	MM 485	485	485	485	485	550	550	550
TOTAL WEIGHT WITH EMPTY TANK, WITHOUT BALLAST WEIGHTS	KG 6400	6400	6400	7010	7010	7210	7210	7210
GROSS VEHICLE WEIGHT	KG 11500	11500	11500	11500	11500	13000	13000	13000
OPTIONAL EQUIPMENT								
FRONT BALLAST WEIGHTS 45 KG EACH	16	16	16	16	16	16	16	16
FRONT HITCH (MAX LIFT CAPACITY)	KG 3500 ○	3500 ○	3500 ○	3500 ○	3500 ○	3500 ○	3500 ○	3500 ○
FRONT HITCH AND PTO	○	○	○	○	○	○	○	○
FRONT WEIGHT FOR HITCH 800 KG	○	○	○	○	○	○	○	○
FRONT WEIGHT FOR HITCH 1400 KG	○	○	○	○	○	○	○	○

Key: ● standard ○ option — not available





Power Technology.

via G. Matteotti, 7 | 42042 Fabbro [RE] Italia | t. +39.0522.656.111 | f. +39.0522.656.476
webmaster@argotracors.com | www.argotracors.com



graphic design: **gruppo saldatori** | bzzbzz@grupposaldatori.com
All data and illustrations provided in this brochure are for information purposes only and can be changed without notice.

GB
6636904A1