

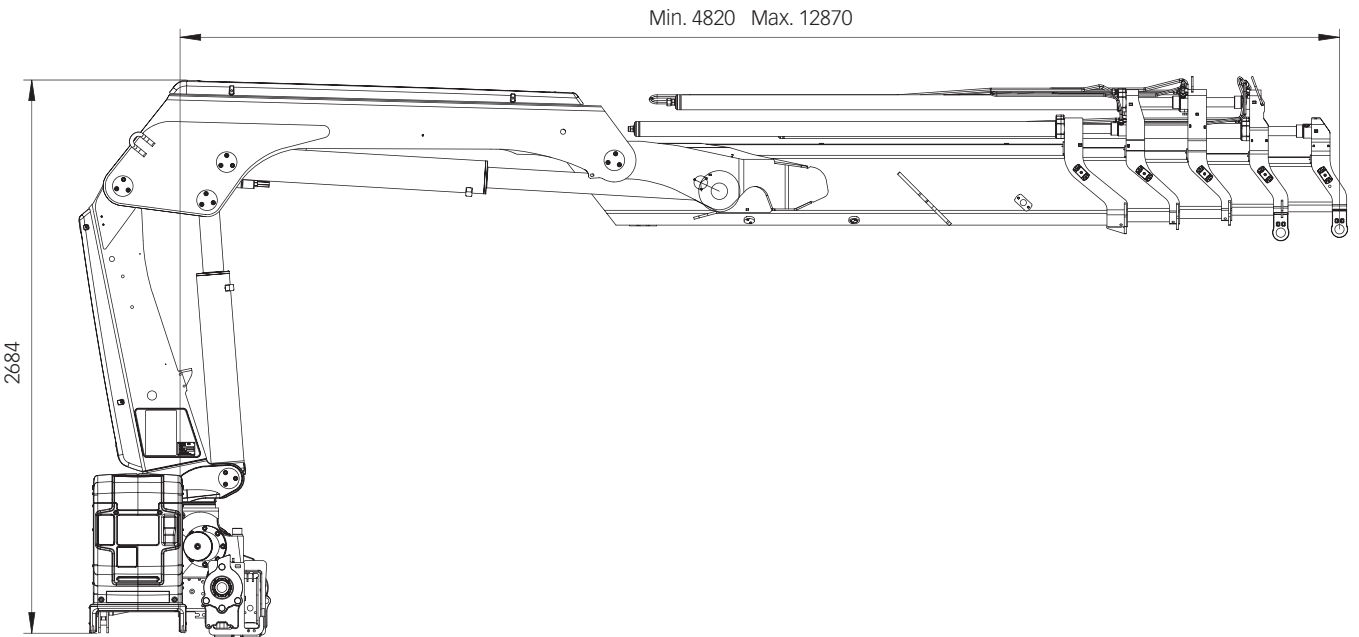
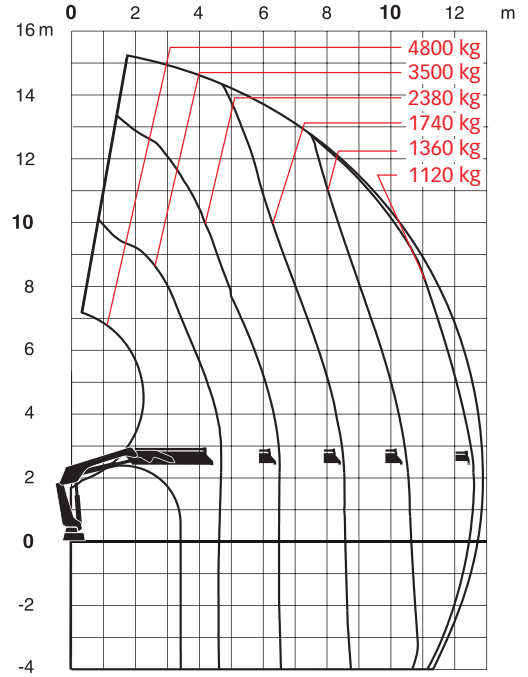
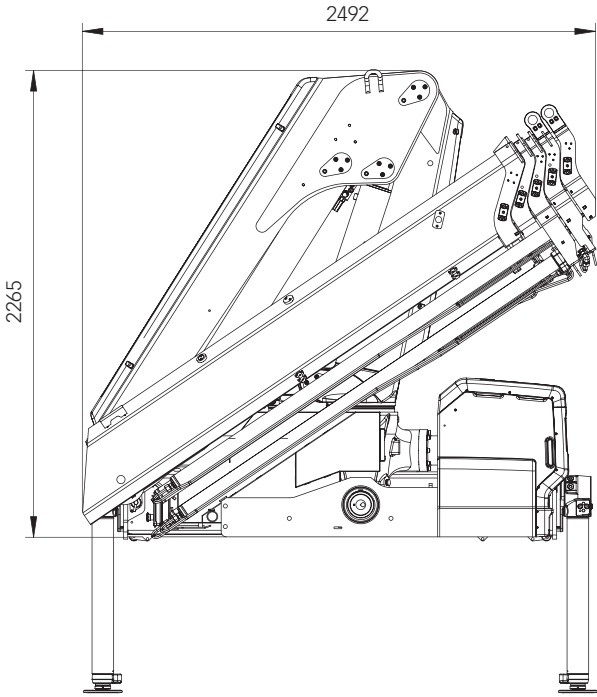
HIAB X-HIDUO 188



HIAB X-HIDUO 188 BASIC DATA

Technical data	BS-2	B-4	E-5	E-6
Max. lifting capacity (kNm)	169.4	160	154.5	151.3
Outreach, hydraulic extensions (m)	8.3	12.9	15.2	17.5
Outreach, manual extensions (m)	10.5	15.2	17.5	19.4
Outreach, with jib (m)	-	-	-	-
Outreach / lifting capacity (m/kg)	3.4 / 5100 4.3 / 4000 6.1 / 2800 8.1 / 2100 - - -	3.4 / 4800 4.6 / 3500 6.4 / 2380 8.4 / 1740 10.4 / 1360 12.5 / 1120 -	3.2 / 4900 4.9 / 3200 6.7 / 2180 8.7 / 1560 10.7 / 1200 12.8 / 970 15.0 / 810 -	3.3 / 4650 5.0 / 3050 6.8 / 2040 8.8 / 1440 10.8 / 1080 12.9 / 850 15.1 / 700 17.4 / 590
Outreach / lifting capacity, with jib (m / kg)	-	-	-	-
Slewing angle (°)	415	415	415	415
Height in folded position (mm)	2265	2265	2260	2260
Width in folded position (mm)	2470	2492	2494	2494
Installation space needed (mm)	865	865	965	965
Weight, "standard" crane, without stabilisers (kg)	1825	2135	2395	2515
Weight, stabiliser equipment (kg)	271-428	271-428	271-428	271-428
Weight, jib (kg)	-	-	-	-

HIAB X-HiDuo 188 B4



BUILT TO PERFORM

Hiab is the world's leading provider of on-road load handling equipment. Customer satisfaction is the first priority for us. Hiab's product range includes HIAB loader cranes, JONSERED recycling and forestry cranes, LOGLIFT forestry cranes, MOFFETT truck-mounted forklifts and MULTILIFT demountables, as well as DEL, WALTCO and ZEPRO tail lifts. www.hiab.com

Hiab is part of Cargotec. www.cargotec.com



BD-HID188-EN-WW_140425



hiab.com