

HIAB X-CLX 218



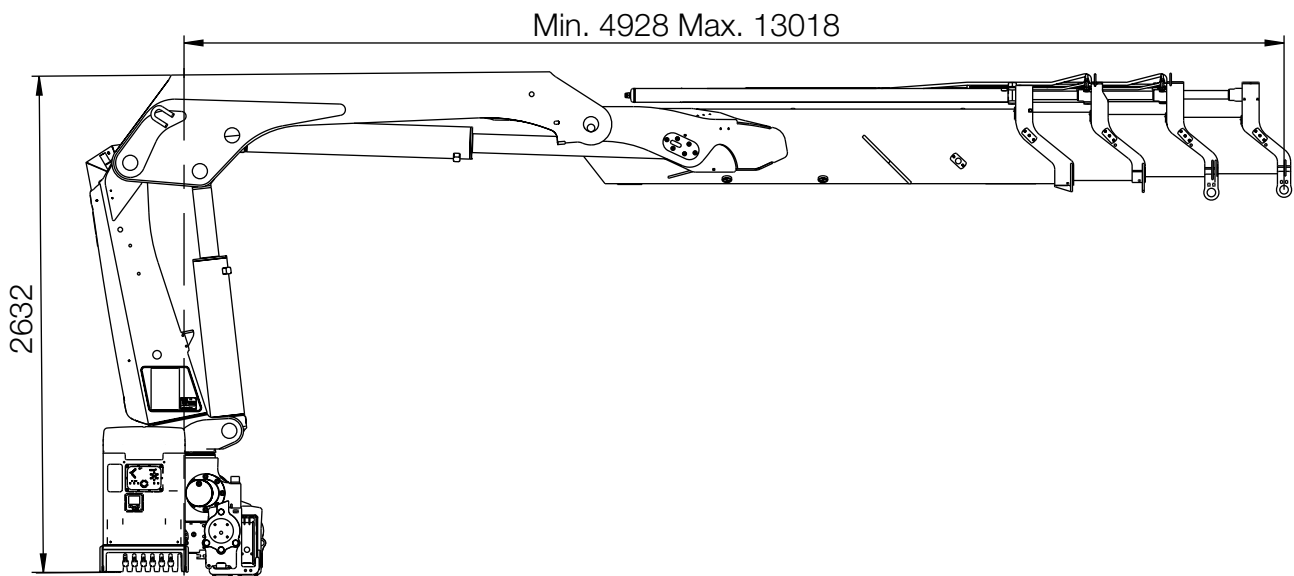
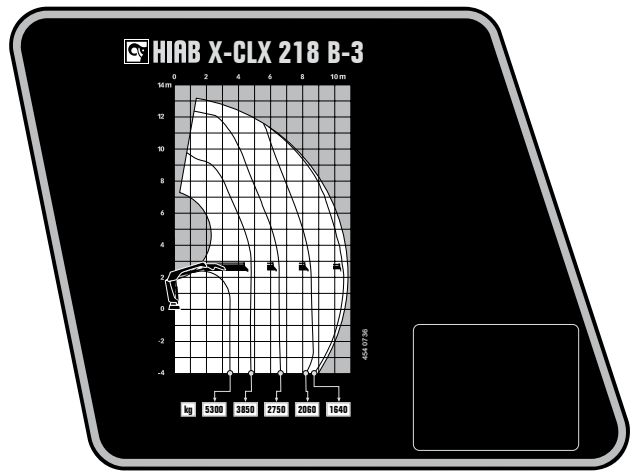
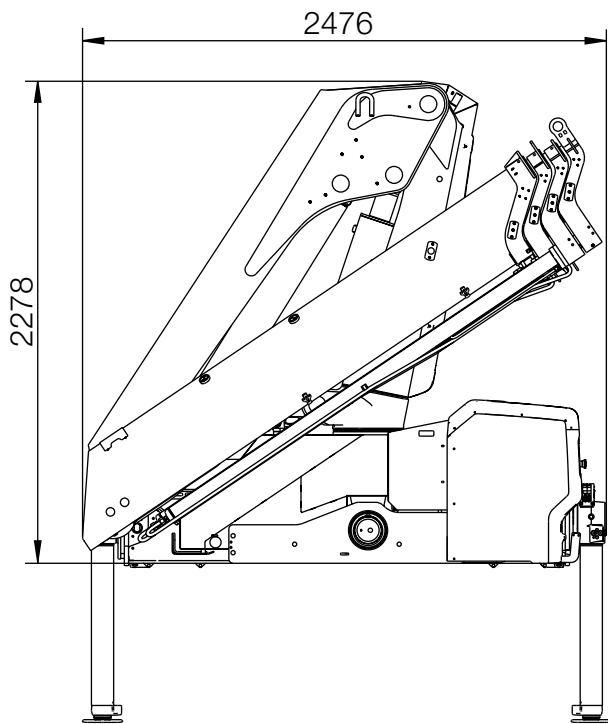
HIAB X-CLX 218 BASIC DATA

BASIC DATA	X-CLX 218 B-1	X-CLX 218 B-1	X-CLX 218 B-3	X-CLX 218 B-4	X-CLX 218 E-3
Mdyn	237 kNm	237 kNm	246 kNm	249 kNm	248 kNm
Lifting capacity (kNm)	192	192	180	176	180
Lifting capacity (tm)	19,6	19,6	18,4	17,9	18,4
Outreach - lifting capacity, standard (m-kg)	3,2 - 6 000	3,2 - 6 000	3,5 - 5 300	3,5 - 5 100	3,5 - 5 200
	4,6 - 4 250	4,6 - 4 250	4,7 - 3 850	4,7 - 3 750	4,7 - 3 900
	6,4 - 3 050	6,4 - 3 050	6,4 - 2 750	6,4 - 2 650	6,5 - 2 750
			8,4 - 2 060	8,4 - 1 940	8,5 - 2 060
			10,5 - 1 640	10,5 - 1 500	10,5 - 1 660
		12,6 - 1 240			
Outreach - lifting capacity, manual extensions (m-kg)	8,4 - 2 240	8,4 - 2 240	12,6 - 1 280	14,9 - 940	12,7 - 1 300
Hydraulic outreach, standard (m)	6,6	6,6	10,8	12,9	10,6
Hydraulic boom extension (m)	1,9 m	1,9 m	5,9 m	8,0 m	5,9 m
Lifting height above installation level, hydr/man (m)	9,0 / 11,1	9,0 / 11,1	13,2 / 15,4	15,3 / 17,6	13,1 / 15,3
Rec. oil flow (l/min)	45 - 55	45 - 55	45 - 55	45 - 55	45 - 55
Working pressure (Mpa)	30,8	30,8	30,8	30,8	30,8
Oil in tank (l)	92 - 200	92 - 200	92 - 200	92 - 200	92 - 200
Tank capacity (l)	0 - 235	0 - 235	0 - 235	0 - 235	0 - 235
Slewing angle (°)	415	415	415	415	415
Max slope viable at full capacity (°)	6	6	6	6	6
Slewing torque, gross (kNm)	28,3	28,3	28,3	28,3	28,3
Slewing speed 80 (°/s)	15	15	15	15	15
Slewing speed (°/s)	15	15	15	15	15
Lifting speed at standard hydraulic outreach (m/s)	0,9	0,9	1,5	1,8	1,4
Height in folded position (mm)	2 278	2 278	2 278	2 278	2 269
Width in folded position (mm)	2 476	2 476	2 476	2 476	2 485
Install space required with hose and pipe kit (mm)	1 364	1 364	1 381	1 471	1 407
Crane in standard version without stabiliser system (kg)	1 690	1 690	2 000	2 140	2 120
Frame attachments (kg)	41 - 65	41 - 65	41 - 65	41 - 65	41 - 65
Stabiliser system (kg)	271 - 428	271 - 428	271 - 428	271 - 428	271 - 428

This table show one example of a model, and represents some of all options available. With the opportunity to configure your crane, we can provide you with a crane perfectly tailored to your needs.

Please contact your local dealer for more information and the exact data on the variety of options we can offer.

Hiab X-CLX 218 B-3



BUILT TO PERFORM

Hiab is the world's leading provider of on-road load handling equipment. Customer satisfaction is the first priority for us. Hiab's product range includes HIAB loader cranes, JONSERED recycling and forestry cranes, LOGLIFT forestry cranes, MOFFETT truck mounted forklifts and MULTILIFT demountables, as well as DEL, WALTCO and ZEPRO tail lifts.

hiab.com

Hiab is part of Cargotec.

cargotec.com



© BD-XCLX218-EN-WW_160810



hiab.com