

KOMATSU®

WA80-6

NET HORSEPOWER
50 kW **67 HP** @ 2270 rpm

OPERATING WEIGHT
5525 - 5835 kg **12,180 - 12,864 lb**

BUCKET CAPACITY
0.80 - 1.25 m³ **1.05 - 1.63 yd³**



Photo may include optional equipment.

KEY FEATURES

Operator Comfort

- Spacious canopy/cab
- ROPS/FOPS Level 2
- Adjustable suspension seat w/ retractable seat belt
- Long wheelbase for smooth ride
- Easy-entry and exit

Value, Durability, and Strength

- KOMTRAX® wireless equipment monitoring system
- Heavy duty rigid mount axles
- Hydraulic fan
- New 90A alternator
- Powerful Komatsu ecot3 engine meets EPA Tier 3 requirements

Performance and Versatility

- Parallel movement of forks during operation
- High payloads
- Hydraulic quick-coupler
- Limited slip differentials
- Compact design for working in confined spaces

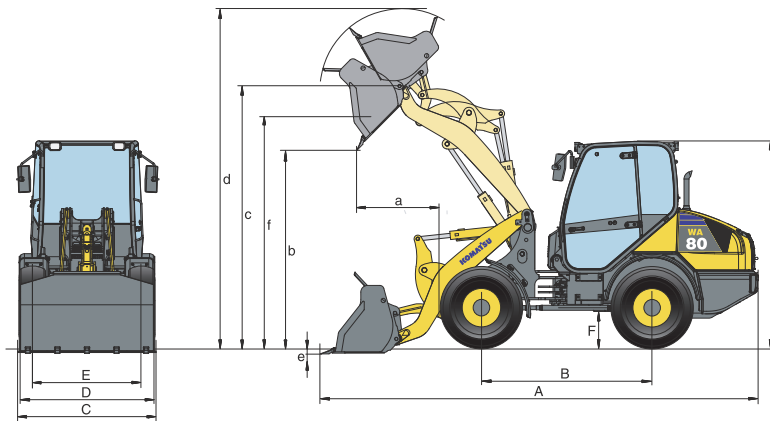
Easy Maintenance

- Tilting canopy/cab
- Longitudinally installed engine
- Wide-opening engine hood
- Easy-access radiator
- Quick-access service side cover

Peace of Mind

- Standard electronic actuation of 3rd circuit
- Excellent visibility
- Back-up alarm
- Reverse lights
- Single key operates all locks

COMPACT WHEEL LOADER

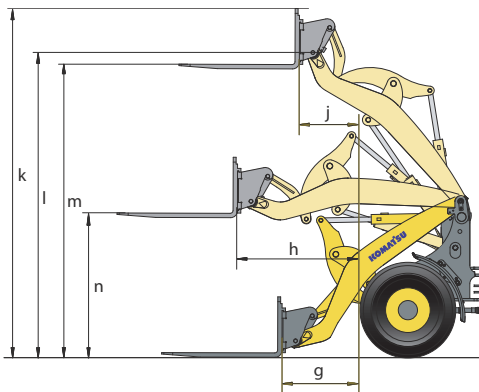


Measured with 405/70 R18 tires

Bucket		Universal Bucket With Teeth		Universal Bucket Without Teeth		Light Material Bucket Without Teeth		Multi-Purpose Bucket With Teeth		
Bucket capacity (heaped, ISO 7546)	m ³ yd ³	1.0	1.3	1.0	1.3	1.25	1.63	0.8	1.05	
Material density	t/m ³ lb/yd ³	1.7	2866	1.7	2866	1.25	2100	1.8	3000	
Bucket weight	kg lb	325	717	305	672	340	750	615	1356	
Static tipping load: straight	kg lb	4460	9833	4367	9628	4327	9539	4154	9158	
	42° full turn	kg lb	3830	8444	3736	8236	3696	8148	3523	7767
Breakout force, hydraulic	kg lb	5782	12747	5782	12747	4262	9397	4946	10903	
Operating capacity, 50% of full-turn tipping load	kg lb	1915	4,222	1868	4,118	1848	4,074	1762	3,884	
Operating weight	kg lb	5545	12225	5525	12180	5560	12258	5835	12864	
Turning radius at corner of tires	mm ft in	3985	13'1"	3985	13'1"	3985	13'1"	3985	13'1"	
Turn radius @ outside corner of bucket*	mm ft in	4420	14'6"	4420	14'6"	4550	14'11"	4490	14'9"	
a	Reach at max height & 45° dump angle	mm ft in	995	3'3"	900	2'11"	1035	3'5"	985	3'3"
b	Dump clearance, max height & 45° dump angle	mm ft in	2425	7'11"	2520	8'3"	2330	7'8"	2425	7'11"
c	Max. hinge pin height	mm ft in	3225	10'7"	3225	10'7"	3225	10'7"	3225	10'7"
d	Operating height (fully raised)	mm ft in	4190	13'9"	4190	13'9"	4270	14'0"	4130	13'7"
e	Digging depth	mm ft in	90	3.5"	90	3.5"	135	5.3"	100	3.9"
f	Max. loading height at 45°	mm ft in	2910	9'7"	2910	9'7"	2895	9'6"	2900	9'6"
A	Overall length, bucket on ground	mm ft in	5630	18'6"	5495	18'0"	5720	18'9"	5710	18'9"
B	Wheelbase	mm ft in	2260	7'5"	2260	7'5"	2260	7'5"	2260	7'5"
C	Bucket width	mm ft in	1915	6'3"	1915	6'3"	1870	6'2"	1900	6'3"
D	Width over tires	mm ft in	1875	6'2"	1875	6'2"	1875	6'2"	1875	6'2"
E	Tread	mm ft in	1470	4'10"	1470	4'10"	1470	4'10"	1470	4'10"
F	Ground clearance	mm ft in	300	12"	300	12"	300	12"	300	12"
H	Overall height	mm ft in	2690	8'10"	2690	8'10"	2690	8'10"	2690	8'10"

* Bucket at carry, outside corner of bucket.

All dimensions, weights, and performance values based on SAE J732c and J742b standards. Static tipping load and operating weight shown include lubricant, coolant, full fuel tank, ROPS cab and operator. Machine stability and operating weight affected by counterweight, tire size, and other attachments.



Measured with 405/70 R18 tires

Fork type		High tine	Pallet fork
Fork tine length	mm ft in	1200 3'11"	1200 3'11"
g	Reach at ground level	mm ft in	890 2'11"
h	Max. reach	mm ft in	1400 4'7"
j	Reach at max. stacking height	mm ft in	700 2'4"
k	Max. height fork-carrier	mm ft in	3670 12'0"
l	Max. hinge pin height	mm ft in	3230 10'7"
m	Max. stacking height	mm ft in	3065 10'1"
n	Height of forks at maximum reach	mm ft in	1470 4'10"
	Static tipping load, straight	kg lbs	3080 6,790
	Static tipping load, 42° full turn	kg lbs	2750 6,063
	Operating weight	kg lbs	5435 11,982

KUSS199-00

©2010 Komatsu America Corp.

Printed in USA

D03(1.5M)C

03/10 (EV-1)

KOMATSU®

www.KomatsuAmerica.com



Komatsu America Corp. is an authorized licensee of Komatsu Ltd. Materials and specifications are subject to change without notice. **KOMATSU** is a registered trademark of Komatsu Ltd., Japan. **KOMTRAX** is a registered trademark of Komatsu America Corp.