

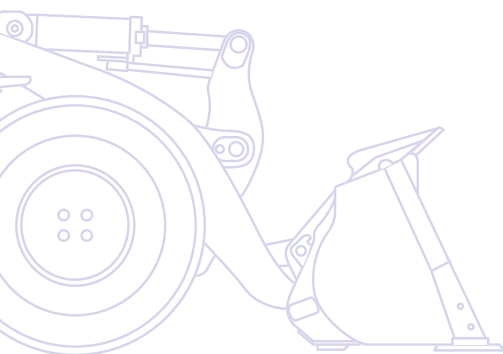
KOMATSU

PRELIMINARY

WA
500



Wheel Loader **WA500-7**



ENGINE POWER
266 kW / 357 HP @ 1.900 rpm

OPERATING WEIGHT
35.095 - 35.700 kg

BUCKET CAPACITY
5,3 - 6,3 m³

High productivity & low fuel consumption

- Powerful and fuel-efficient Komatsu SAA6D140E-6 engine
- Meets EU Stage IIIB/EPA Tier 4 interim
- Komatsu SmartLoader Logic: fully automatic fuel-saving engine control technology
- Large-capacity torque converter
- Torque converter lock-up standard
- Komatsu CLSS hydraulic system
- Monitoring system with Eco-gauge



Excellent stability and manoeuvrability

- Superior dumping height and reach
- Wide tread and long wheelbase
- Boom suspension system for minimum spillage
- Komatsu CLSS hydraulic system

KOMTRAX

Komatsu Wireless
Monitoring System



First-class operator comfort

- New cab design
- Fully air suspended operator station with integrated EPC lever console
- New multi-function monitoring system
- Rear view camera system
- Low noise design
- Low vibration levels

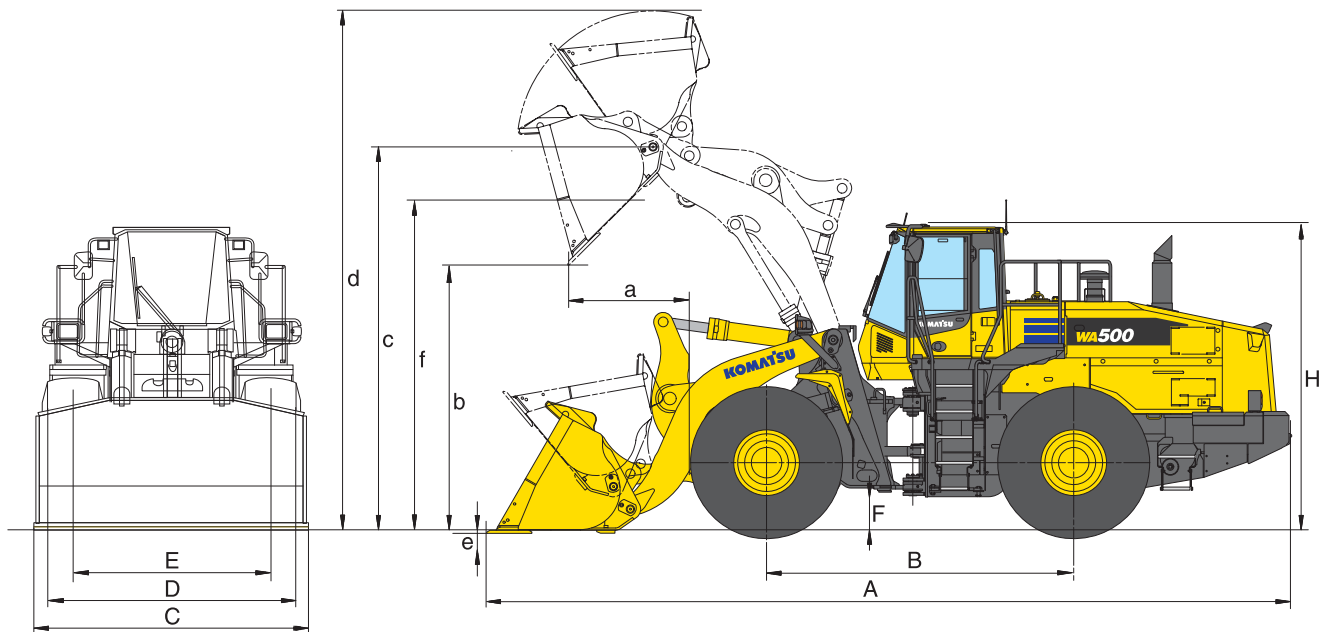


Easy maintenance

- Radiator with reversible fan speeds up cleaning
- Factory fitted automatic lubrication system
- Large gull-wing doors for easy access to service points
- Equipment Management and Monitoring System (EMMS)
- Robust components with a long service life

Wheel Loader

WA500-7



MEASUREMENTS AND WORKING SPECIFICATIONS

Bucket type		Universal		Rock bucket Straight edge		Rock bucket Spade nose		Stockpile	
		w. teeth	w. BOC	w. teeth	w. teeth w. BOC	w. teeth	w. teeth w. BOC	w. BOC	w. BOC
Bucket capacity (heaped, ISO 7546)	m ³	5,3	5,6	5,3	5,6	5,3	5,6	5,9	6,3
Material density	t/m ³	1,85	1,75	1,9	1,75	1,85	1,75	1,65	1,6
Bucket weight w/o teeth		2.875	2.915	3.015	3.060	3.240	3.280	3.020	3.125
Static tipping load, straight	kg	26.760	26.530	26.695	26.445	26.125	25.965	26.270	26.060
Static tipping load, 40° articulated	kg	22.880	22.680	22.810	22.590	22.320	22.135	22.440	22.245
Break-out force hydraulic	kN	287	273	287	273	235	225	264	252
Operating weight	kg	35.095	35.335	35.435	35.480	35.660	35.700	35.440	35.545
Turning radius at corner of tyres	mm	6.870	6.870	6.870	6.870	6.870	6.870	6.870	6.870
Turning radius at bucket edge	mm	7.660	7.600	7.660	7.600	7.660	7.700	7.620	7.640
a Reach at 45°	mm	1.570	1.385	1.570	1.385	1.570	1.610	1.420	1.470
b Dump height at 45°	mm	3.240	3.300	3.240	3.240	3.240	3.240	3.255	3.200
c Hinge pin height	mm	4.770	4.770	4.770	4.770	4.770	4.770	4.770	4.770
d Height top edge of bucket	mm	6.510	6.510	6.690	6.690	6.690	6.690	6.590	6.660
e Digging depth	mm	120	150	120	150	120	150	150	150
f Max. loading height at 45°	mm	4.420	4.420	4.420	4.420	4.420	4.420	4.420	4.420
A Overall length, bucket grounded	mm	9.890	9.680	9.890	9.680	9.900	10.000	9.730	9.805
B Wheelbase	mm	3.780	3.780	3.780	3.780	3.780	3.780	3.780	3.780
C Bucket width	mm	3.430	3.440	3.430	3.440	3.430	3.440	3.440	3.440
D Width over tyres	mm	3.150	3.150	3.150	3.150	3.150	3.150	3.150	3.150
E Track width	mm	2.400	2.400	2.400	2.400	2.400	2.400	2.400	2.400
F Ground clearance	mm	460	460	460	460	460	460	460	460
H Overall height	mm	3.795	3.795	3.795	3.795	3.795	3.795	3.795	3.795

All measurements with tyres 29.5R25 Michelin XHA

Specifications: Engine power at rated engine speed (1.900 rpm): 266 kW/357 HP (ISO 14396). Engine emissions fully complies with EU Stage IIIB and EPA Tier 4 interim exhaust emission regulations. Noise levels: LwA external: 109 dB(A) (2000/14/EC Stage II). LpA operator ear: 72 dB(A) (ISO 6396 dynamic test. Vibration levels (EN 12096:1997): Hand/arm: ≤ 2,5 m/s² (uncertainty K = 0,04 m/s²) Body: ≤ 0,5 m/s² (uncertainty K = 0,28 m/s²). For the purpose of risk assessment under directive 2002/44/EC, please refer to ISO/TR 25398:2006. All data preliminary and non-binding.

VESS003800P 03/2012

Komatsu Europe International NV · Mechelsesteenweg 586 · B-1800 VILVOORDE (BELGIUM)
Tel: +32-2-255 24 11 · Fax: +32-2-252 19 81 · www.komatsueurope.com

This brochure is a preliminary version which is intended for promotional purposes only. The information contained in this brochure may be incomplete and/or subject to change. This brochure will be replaced by an updated version.