

# SST-37/40-NE

Articulated/Telescopic Aerial Lift

**WORKING HEIGHT:** Up to 45 ft (13.7 m)

**HORIZONTAL REACH:** 27 ft 9 in (8.5 m)

**PLATFORM CAPACITY:** Up to 400 lbs (181 kg)

**DEMAND  
BETTER.  
DEMAND  
VERSALIFT.**



*SST-37-NE model shown here.*

**VERSALIFT**

**VERSALIFT** is a leading global manufacturer of bucket trucks, digger derricks, cable placers and other specialty equipment for use in the power generation, transmission and distribution, investor-owned utility, telecommunications, bridge inspection, light and sign, and forestry industries. Providing equipment sales, service, training, warranty and financing to government agencies, corporations, contractors, co-ops and municipalities through its global network of facilities and distributors, the company employs more than 900 employees worldwide.

# SST-37/40-NE

Articulated/Telescopic Aerial Lift



## GENERAL SPECIFICATIONS:

(Based on 40" Frame)

Horizontal Reach	27 ft 9 in (8.5 m)
Standard Platform Capacity	300 lbs (136 kg)
Maximum Platform Capacity	400 lbs (181 kg)
Outer Boom Lift Eye Capacity	500 lbs (227 kg)

## WITH STANDARD PEDESTAL:

Height to Bottom of Platform	
SST-37-NE	37 ft (11.3 m)
SST-40-NE	40 ft (12.2 m)
Working Height	
SST-37-NE	42 ft (12.8 m)
SST-40-NE	45 ft (13.7 m)
Stowed Travel Height	10 ft 4 in (3.15 m)

## HYDRAULIC SYSTEM:

Operating Pressure	2250 psi (155 bar)
Flow Rate	2 gpm (8 lpm)
Filtration	10 micron return 100 mesh suction
System Type	Open Center

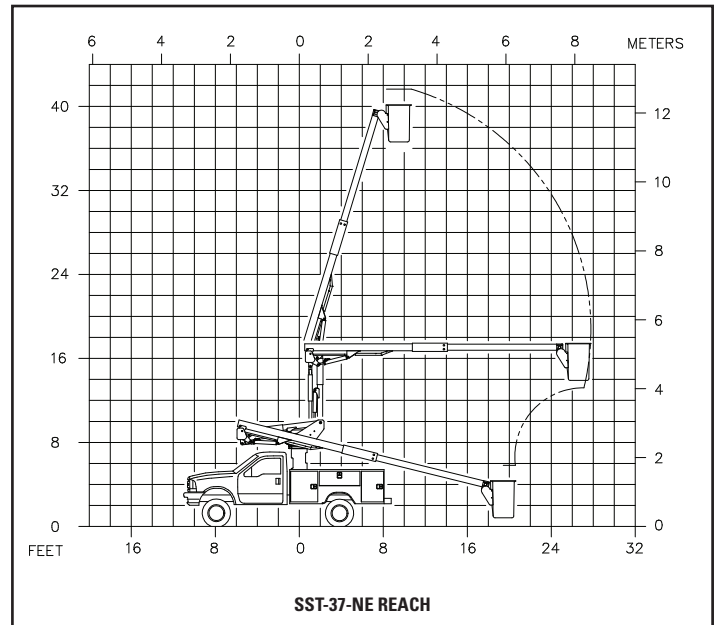
## BOOM ACTION:

Inner Boom Extension	116 in (2.9 m)
Outer Boom	-14° to +74°
Lower Boom	
SST-37-NE	-7° to Vertical
SST-40-NE	-5° to Vertical
Rotation	370° Non-Continuous

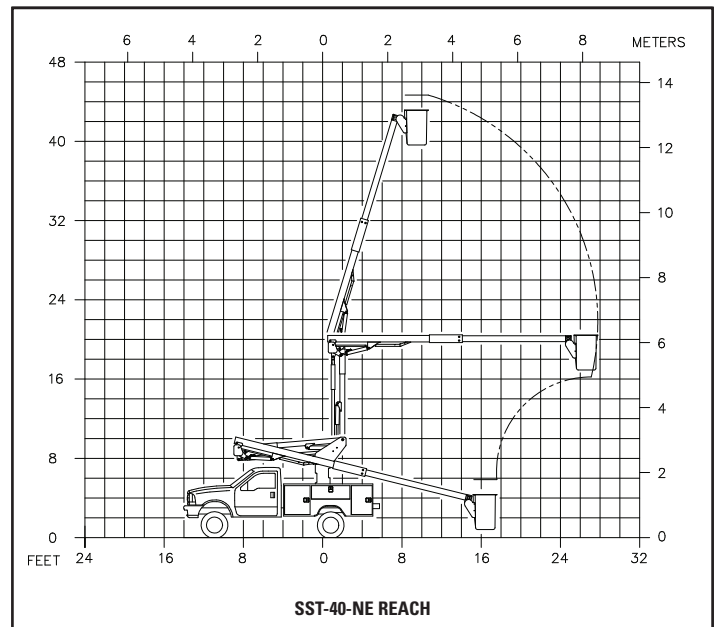
## OPTIONS:

- Continuous Rotation
- Hydraulic Tool Circuit at the Platform
- Independent Outriggers
- 120 Volt to Platform
- Joystick Control
- 180° Rotating Platform
- Backup 12-Volt Pump
- Rear Torsion Bars
- Two-Speed Control System
- Automatic Boom Latch

Note: Specifications on units may vary or change without prior notifications due to option selections.



SST-37-NE REACH



SST-40-NE REACH