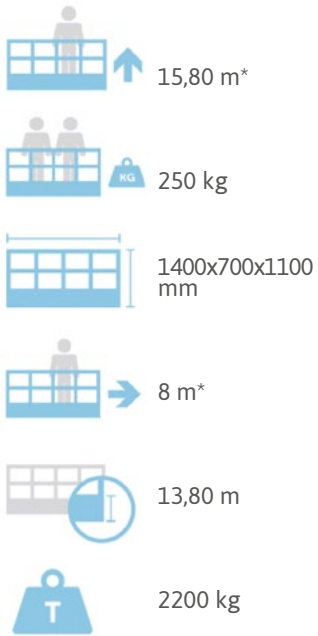


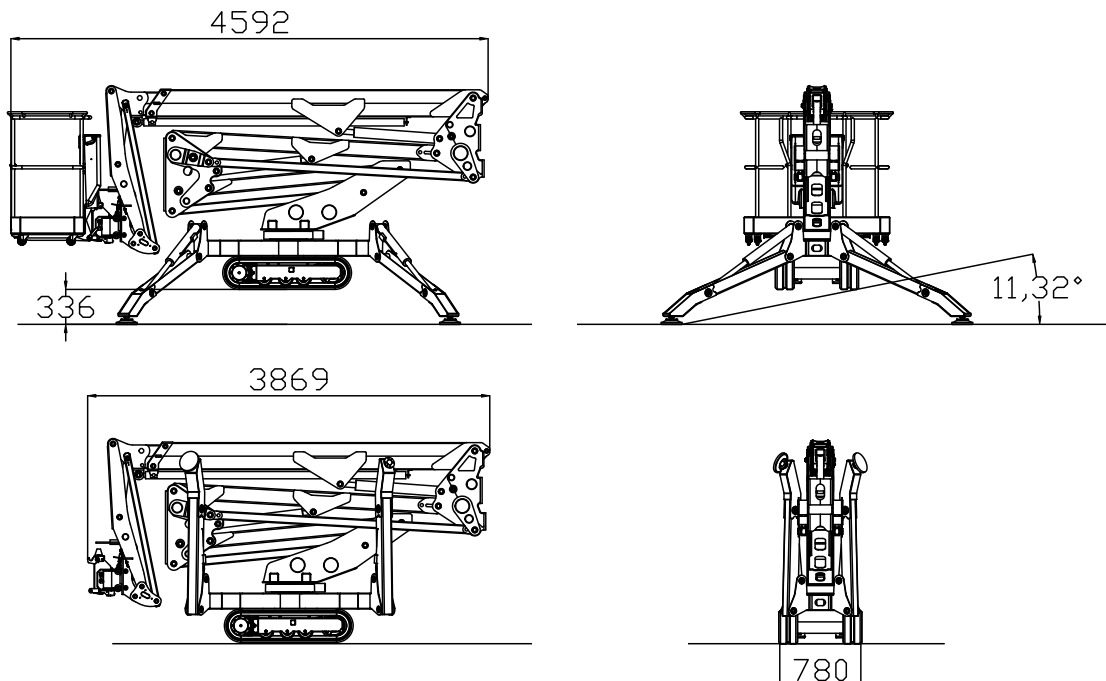
SPECIFICATION (PRELIMINARY)

CTE TRACCESS 160



* outreach and height max values and repeatability can change within $\pm 3\%$ due to manufacturing variation and working condition.

DIMENSIONS



CTE S.p.A.

Headquarter 7 Via Caproni - Rovereto (TN) IT, 38068

Ph. +39 0464 48.50.50 - Fax +39 0464 48.50.99

info@ctelift.com - www.ctelift.com

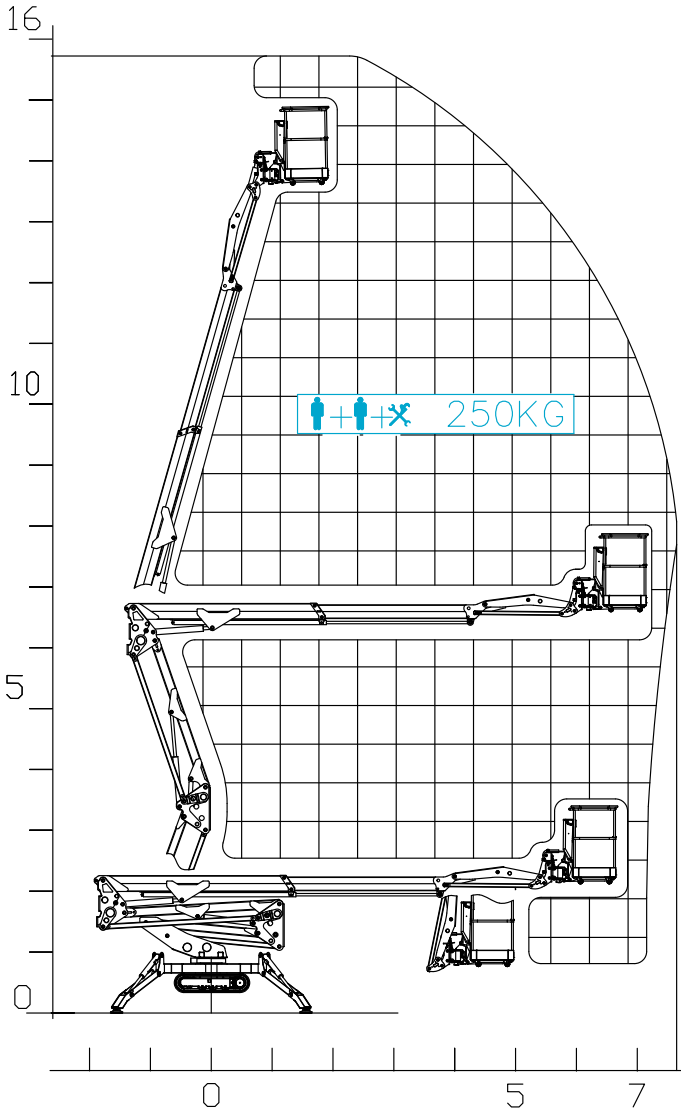
Factory 5 Loc. Terramatta - Rivoli Veronese (VR) IT, 37010

CTE UK Ltd Enderby Leicestershire - UK

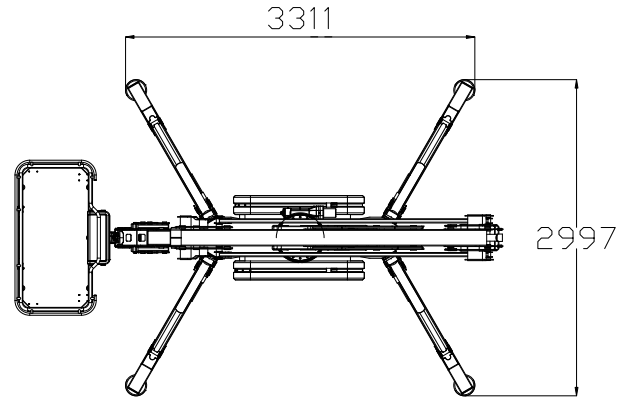
SPECIFICATION (PRELIMINARY)

CTE TRACCESS 160

WORKING ENVELOPE



OUTRIGGER FOOTPRINT



Product specifications are subject to change without notice or obligation. Technical features and drawings in this brochure are for illustrative purposes only. TRACCESS 160 - ed. 12/19



**250 KG
UNRESTRICTED
WORKING AREA**



**WINCH with
230 KG
LIFTING CAPACITY**



**DOORWAY
ACCESS**



DIFFERENT POWER SOURCES AVAILABLE



CTE S.p.A.

Headquarter 7 Via Caproni - Rovereto (TN) IT, 38068

Ph. +39 0464 48.50.50 - Fax +39 0464 48.50.99

info@ctelift.com - www.ctelift.com

Factory 5 Loc. Terramatta - Rivoli Veronese (VR) IT, 37010

CTE UK Ltd Enderby Leicestershire - UK