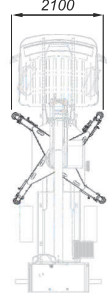
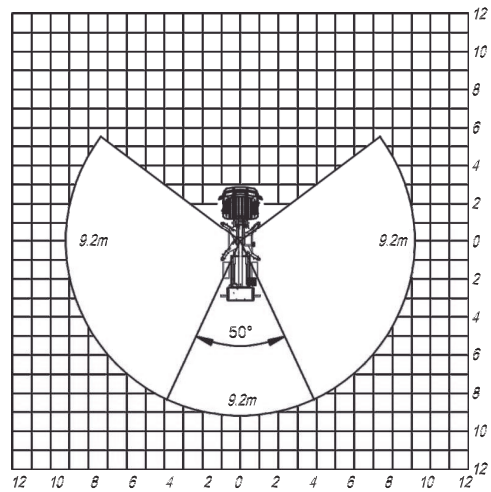
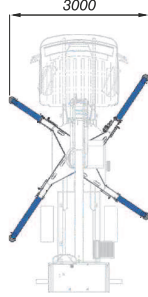
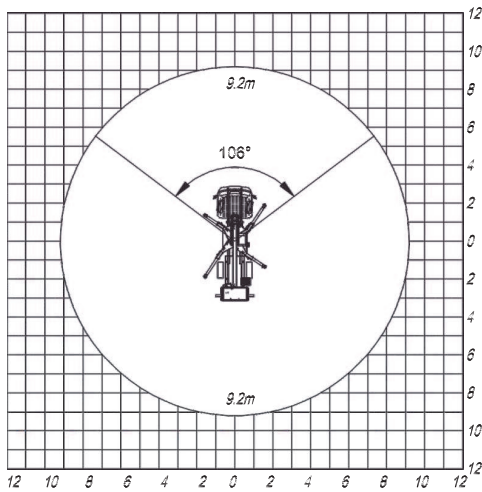
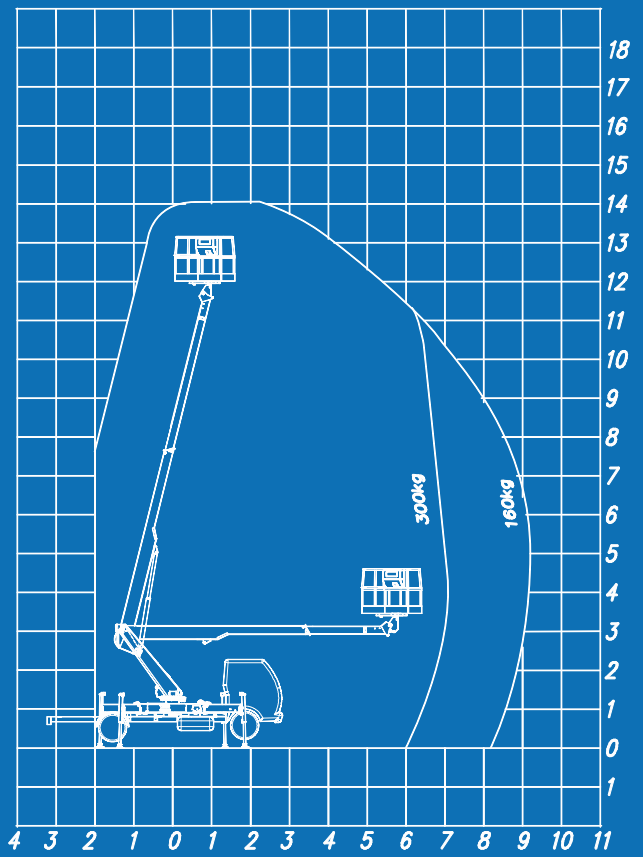
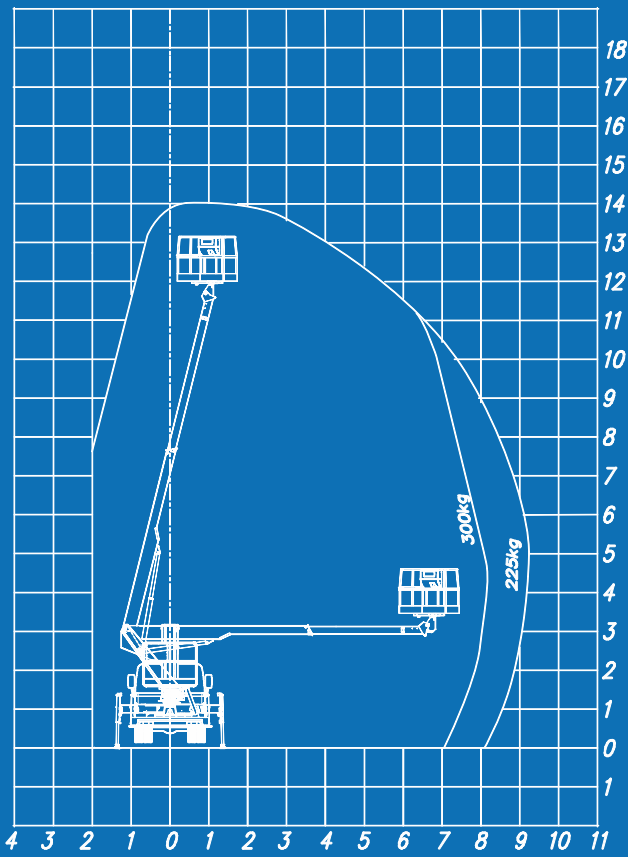


maximum

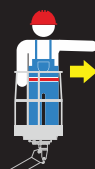
medium



14,20 m



12,20 m



9,50 m



300 kg



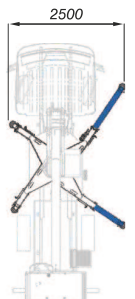
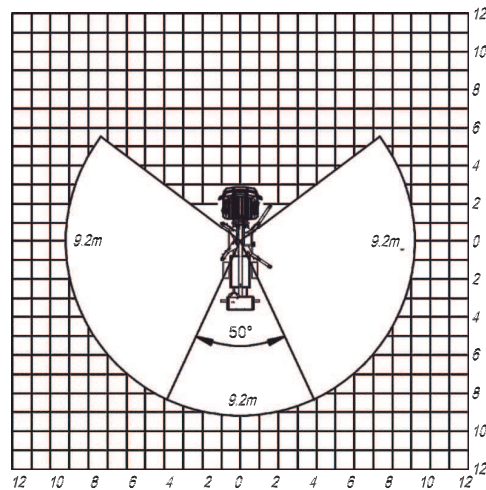
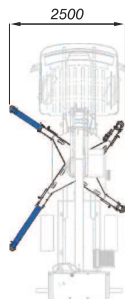
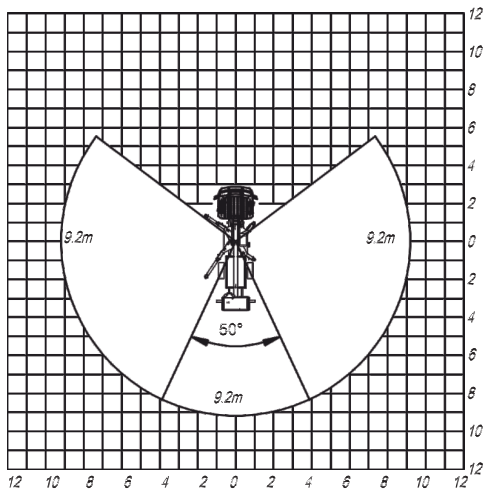
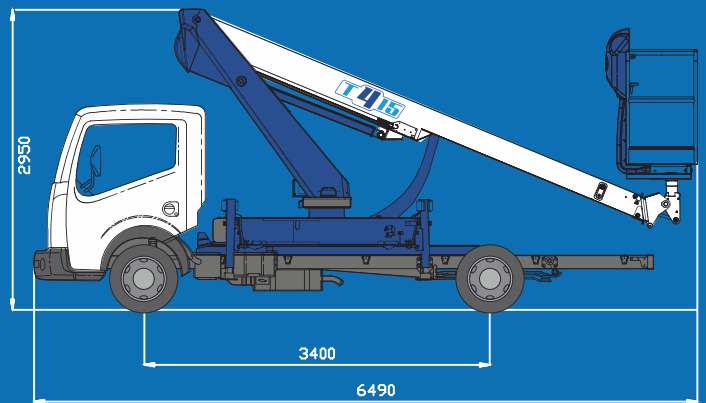
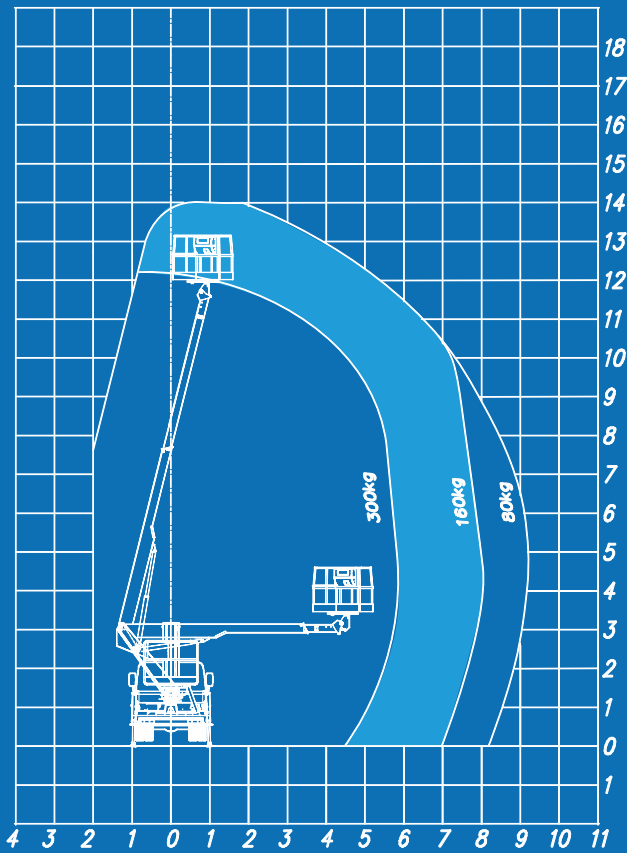
1,4x0,7x1,1 m

minimum

T415

forSte.it

XFACTOR



700°



alluminium



90°+90°



ME+ME



Hydraulic