

Standard Equipment/Optional Equipment

Standard Equipment

Multifunction back lit instrument display

Key switch or Log in Pin code: ignition

Unique and intuitive 45° driving position (SP)

Safety zone operator's compartment with padded leg and backrests with cushioned suspended platform (SP)

Dedicated work station (with storage compartments)

Innovative single handed Linde e-driver® control (SP)

Power assisted steering with speed proportional steering resistance

Positive steering (drive wheel) feedback

Self-centring steering (SP)

Left handle bar (SP)

Automatic speed reduction when cornering

Standard power setting of max. speed 10 km/h

AC motor

Automatic braking

Electromagnetic emergency brake acting proportionally to the load weight

Cushion drive wheel

Polyurethane active castor wheels

Polyurethane single load wheels

Foldable stand-on platform with side guards (AP)

Horn

Protection -10°C

Optional Equipment

Alternative fork dimensions

Drive wheels: polyurethane, cushion non-marking or wet grip

Load wheels: Tandem polyurethane or single/tandem polyurethane greasable load wheels

Clipboard

On-board mounting for computer or clipboard

Load backrest 1200mm

Mobile and fixed battery stands (for side battery change)

Non marking cushion rubber drive heels

Width over forks 520, 560, and 680 mm

Fork lengths 1000, 1150, and 2350 mm

Coldstore protection to -35°C

Linde Connected Solutions:

ac:access control (PIN and RFID Dual), an:usage analysis,

dt:crash detection

Fully suspended operator compartment (SP)

LED working lamp (SP)

Power setting to max. speed of 12 km/h (SP)

Other options available on request.

Li-ION technology

Fast Full Charge

Opportunity Charging

Fast Intermediate Charging

Maintenance Free

Long Lifetime

Good performance in Cold Store

Li-ION batteries

fits in 3 PzS compartment (T20 AP/SP ION, T25 AP/SP ION) with 4,5kWh-9kWh (205Ah-410Ah)

Li-ION charger

optimized 24V-Charger v255: full charging time 1h30min

(4,5kWh) and 2h40min (9,0kWh)



Platform Pallet Truck Capacity 2000 and 2500 kg T20 SP/AP, T25 SP/AP

Series 131-07

Safety

High performance combined with safety. The wraparound steel chassis keeps the operator safe from impacts while working (SP). A low, steel skirt surrounding the stand-on platform protects the operator's feet and legs (SP). The operator's body remains safely within the chassis contours at all times while operating the truck (SP).

Performance

Highly efficient productivity is the Linde pallet truck's true strength. Their performance derives from a powerful 3 kW AC maintenance-free drive motor and active stabilizing castor wheels. Rapid acceleration and impressive travel speed combined with efficient braking in all conditions. This all adds up to outstanding productivity ratios in every type of application.

Comfort

The ergonomic 45° driving posture of the SP version, enables effortless, stress-free multidirectional working with excellent all-round visibility. A padded backrest and cushioned stand-on platform provide added comfort. The optional fully suspended operator compartment keeps the driver concentrated and maintains high efficiency levels throughout the working shift.

Linde Material Handling

Linde

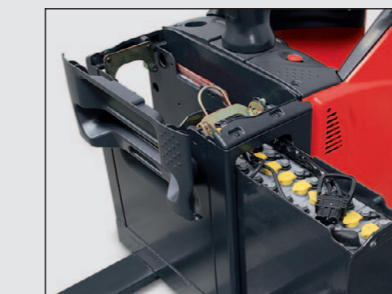
Features

Total drive system

- Electronically controlled, hydraulically suspended castor wheels automatically select optimum ratio between stability and traction
- Automatic electric braking when traction lever is released to neutral
- Smooth counter current braking and no roll back on gradient starts
- Proportional electromagnetic braking on drive motor initiated by emergency isolator or release of pressure on deadman switch

Linde e-driver®

- Unique Linde e-driver controller, the perfect interface between truck and operator
- Enables effortless one-handed operation
- All controls grouped on the controller
- Combines perfectly with 45° driving posture



Batteries and chargers

- Lead Acid batteries from 3,5kWh to 7.1kWh (250-620Ah/2PzS-5PzS) with optional side (left and right) battery change
- Li-ION batteries with 4,5kWh (205Ah) and 9,0 kWh (410Ah)
- Fast full charge in 1h30min with optimized charger



Workstation

- Digital multifunction display
- Truck access control by unique PIN code or by ignition key
- Wide and deep storage compartments for wrapping paper, work gloves, writing utensils, etc.



AC motor

- Powerful, 3 kW drive motor
- Moisture and dust proof motor is maintenance-free
- The truck accelerates smoothly to 10 km/h in less than 5 metres
- Power settings optional up to 12 km/h (SP)
- Gradient performance 13% fully laden
- No roll back on gradient starts
- High torque motor negotiates loading docks with ease

Ideal 45° driving position

- The 45° driving posture (SP) provides effortless multi-directional driving
- Superbly functional Linde e-driver controls
- Cushioned platform and padded backrest
- Outstanding stability with automatic slowdown when cornering
- Fully suspended operator compartment (Option)

CAN bus connectivity

- On-board diagnostics and CAN bus interface
- Provides service technician with rapid access to all truck data for performance parameter settings, trouble shooting and preventative maintenance



Power steering for comfort and safety

- Self-centring, power assisted steering keeps truck on track in a straight line (SP)
- Steering effort adjusts automatically to speed and turning radius
- Speed is automatically reduced in relation to the steering angle
- The result is effortless manoeuvring and safe, highly efficient load handling

Linde Material Handling GmbH, Postfach 10 01 36, 63701 Aschaffenburg, Germany
Phone +49.60 21.99-0, Fax +49.60 21.99-15 70, www.linde-mh.com, info@linde-mh.com



Subject to modification in the interest of progress. Illustrations and technical details could include options and not binding for actual constructions. All dimensions subject to usual tolerances.

Printed in Germany 425.e.2.0-16.linda.ki

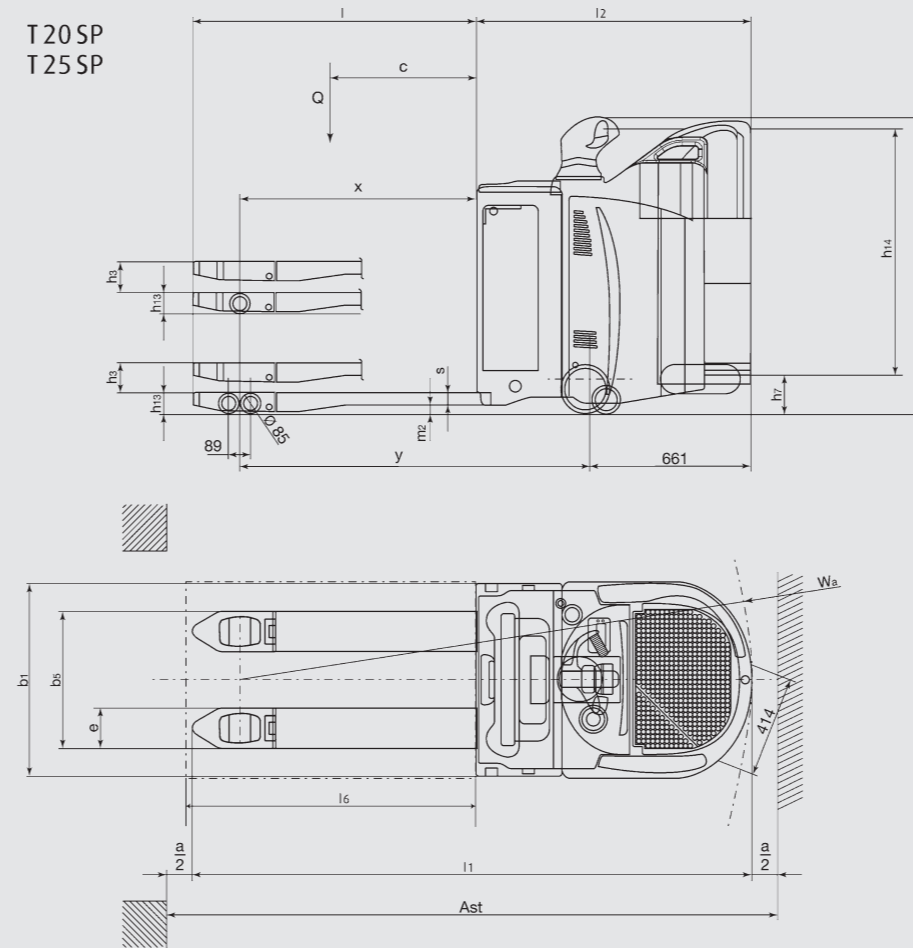
Technical Data according to VDI 2198

Characteristics		1.1	1.2	1.2a	1.3	1.4	1.5	1.6	1.8	1.9	
Manufacturer		LINDE		LINDE		LINDE		LINDE		LINDE	
Model designation		T20AP / [T20AP ION] ¹⁾		T25AP / [T25AP ION] ¹⁾		T20SP / [T20SP ION] ¹⁾		T25SP / [T25SP ION] ¹⁾		T25SP / [T25SP ION] ¹⁾	
Series		131-07		131-07		131-07		131-07		131-07	
Power unit		Battery		Battery		Battery		Battery		Battery	
Operation		Pedestrian / Stand on		Pedestrian / Stand on		Pedestrian / Stand on		Pedestrian / Stand on		Pedestrian / Stand on	
Load capacity/Load		Q (t)		2.0		2.5		2.0		2.5	
Load centre		c (mm)		600		600		600		600	
Axle centre to fork face		x (mm)		895 / 962 ²⁾		895 / 962 ²⁾		895 / 962 ²⁾		895 / 962 ²⁾	
Wheelbase		y (mm)		1359 / 1425 ²⁾³⁾		1359 / 1425 ²⁾³⁾		1359 / 1425 ²⁾³⁾		1359 / 1425 ²⁾³⁾	
Weights		2.1 Service weight		(kg)		780 [680] ⁴⁾⁵⁾		810 [721] ⁴⁾⁵⁾		810 [710] ⁴⁾⁵⁾	
2.2 Axle load with load, front/rear		(kg)		1 1 0 3 / 1 6 7 7 [1021/1659] ⁴⁾⁵⁾		1 2 2 6 / 2 0 8 4 [1164/2057] ⁴⁾⁵⁾		1 1 3 3 / 1 6 7 7 [1051/1659] ⁴⁾⁵⁾		1 2 2 6 / 2 0 8 4 [1193/2058] ⁴⁾⁵⁾	
2.3 Axle load without load, front/rear		(kg)		637 / 143 [555 / 125] 4)5)		667 / 143 [589 / 132] 4)5)		667 / 143 [585 / 125] 4)5)		667 / 143 [618 / 133] 4)5)	
Wheels/Tyres		3.1 Tyres rubber, SE, pneumatic, polyurethane		V+P/P ⁵⁾⁶⁾		V+P/P ⁵⁾⁶⁾		V+P/P ⁵⁾⁶⁾		V+P/P ⁵⁾⁶⁾	
3.2 Tyre size, front		Ø 254 x 102		Ø 254 x 102		Ø 254 x 102		Ø 254 x 102		Ø 254 x 102	
3.3 Tyre size, rear		Ø 85 x 105 (Ø85 x 80)		Ø 85 x 105 (Ø85 x 80)		Ø 85 x 105 (Ø85 x 80)		Ø 85 x 105 (Ø85 x 80)		Ø 85 x 105 (Ø85 x 80)	
3.4 Auxiliary wheels (dimensions)		Ø 125 x 60		Ø 125 x 60		Ø 125 x 60		Ø 125 x 60		Ø 125 x 60	
3.5 Wheels, number front/rear (x = driven)		1x + 2 / 2 (2/4)		1x + 2 / 2 (2/4)		1x + 2 / 2 (2/4)		1x + 2 / 2 (2/4)		1x + 2 / 2 (2/4)	
3.6 Track width, front		b10 (mm)		544		544		544		544	
3.7 Track width, rear		b11 (mm)		355 / 375 / 395 / 515		355 / 375 / 395 / 515		355 / 375 / 395 / 515		355 / 375 / 395 / 515	
Dimensions		4.4 Lift		h3 (mm)		125		125		125	
4.8 Height of seat/stand on platform		h7 (mm)		160		160		160		160	
4.9 Height of tiller arm in operating position, min/max		h14 (mm)		1103 / 1287		1103 / 1287		1160 / 1180		1160 / 1180	
4.15 Height, lowered		h13 (mm)		85		85		85		85	
4.19 Overall length		l1 (mm)		1847 / 2216 ⁷⁾		1847 / 2216 ⁷⁾		2274		2274	
4.20 Length to fork face		l2 (mm)		697 / 1066 ⁷⁾		697 / 1066 ⁷⁾		1124		1124	
4.21 Overall width		b1/b2 (mm)		790		790		790		790	
4.22 Fork dimensions		s/e/l (mm)		55 x 165 x 1150		55 x 165 x 1150		55 x 165 x 1150		55 x 165 x 1150	
4.25 Fork spread, min/max		b5 (mm)		520 / 540 / 560 / 680		520 / 540 / 560 / 680		520 / 540 / 560 / 680		520 / 540 / 560 / 680	
4.32 Ground clearance, centre of wheelbase		m2 (mm)		30 / 155 ⁸⁾		30 / 155 ⁸⁾		30 / 155 ⁸⁾		30 / 155 ⁸⁾	
4.33 Aisle width with pallet 1000 x 1200 across forks		Ast (mm)		2077 / 2414 [1927 / 2264] ⁷⁾⁹⁾³⁾		2077 / 2414 [1927 / 2264] ⁷⁾⁹⁾³⁾		2324 ⁹⁾³⁾		2324 ⁹⁾³⁾	
4.34 Aisle width with pallet 800 x 1200 along forks		Ast (mm)		2127 / 2464 ⁷⁾⁹⁾³⁾		2127 / 2464 ⁷⁾⁹⁾³⁾		2524 ⁷⁾⁹⁾³⁾		2524 ⁷⁾⁹⁾³⁾	
4.35 Turning radius		Wa (mm)		1622 / 1959 ⁷⁾³⁾		1622 / 1959 ⁷⁾³⁾		2019 ³⁾		2019 ³⁾	
Performance		5.1 Travel speed, with/without load		(km/h)		10 / 10		10 / 10		12 / 12	
5.2 Lifting speed, with/without load		(m/s)		0.036 / 0.043		0.024 / 0.034		0.036 / 0.043		0.027 / 0.034	
5.3 Lowering speed, with/without load		(m/s)		0.064 / 0.06		0.065 / 0.06		0.064 / 0.06		0.065 / 0.06	
5.8 Maximum climbing ability, with/without load		(%)		13.0 / 20.0		11.0 / 20.0		13.0 / 20.0		11.0 / 20.0	
5.10 Service brake		Electric/hydraulic		Electric/hydraulic		Electric/hydraulic		Electric/hydraulic		Electric/hydraulic	
Drive		6.1 Drive motor, 60 minute rating		(kW)		3		3		3	
6.2 Lift motor, rating at S3 15%		(kW)		1		1		1		1	
6.3 Battery according to DIN 43531/35/36 A,B,C,no		43 535/B [Li-ION]		43 535/B [Li-ION]		43 535/B [Li-ION]		43 535/B [Li-ION]		43 535/B [Li-ION]	
6.4 Battery voltage/rated capacity (5h)		(V/Ah)		24 / 250 [24 / 205] ¹⁾		24 / 250 [24 / 410] ¹⁾		24 / 250 [24 / 205] ¹⁾		24 / 250 [24 / 410] ¹⁾	
6.5 Battery weight (± 5%)		(kg)		212 [110]		212 [151]		212 [110]		212 [151]	
6.6 Power consumption according to VDI cycle		(kWh/h)		0.48		0.48		0.48		0.48	
Others		8.1 Type of drive control		LAC		LAC		LAC		LAC	
8.4 Noise level at operator's ear		(dB(A))		< 70		< 70		< 70		< 70	

1) Figures in [] with Li-ION battery see line 6.4
 2) Forks upraised / lowered
 3) + 0 mm = 3 PzS lateral; + 100 mm = 3 PzS vertical and 4PzS lateral;
 + 150 mm = 4 PzS vertical; + 225 mm = 4 PzS vertical
 4) Figures with battery, see line 6.4/6.5.
 5) Drive Wheel Option: rubber non marking, Polyurethane and wet grip

6) Solid rubber + polyurethane / polyurethane
 7) Platform raised/lowered.
 8) min./max.
 9) Including a 200 mm (min.) operating aisle clearance.

T 20 SP
T 25 SP



T 20 AP
T 25 AP

