



SWL/SWTL Series  
**Skid Steer Loader**

**SUNWARD INTELLIGENT EQUIPMENT CO., LTD.**

Add: Sunward Intelligent Industrial Park, Xingsha, Changsha, 410100, China.

Tel: (0086-731)83572828

E-mail: [international@sunward.com.cn](mailto:international@sunward.com.cn)

Web: [www.sunward.com.cn](http://www.sunward.com.cn)

Please read the manual book and maintenance book before operation, changes are periodically added to the information, and Sunward may change the products or services described in this book at any time without announcement. All rights of this manual book reserve to Sunward. SUNWARD Internal Use Only

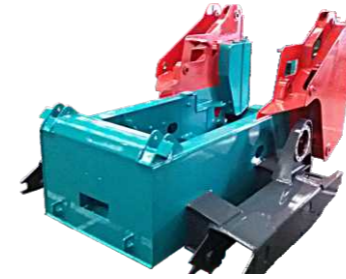
SWL&SWTL EN 2018



SWL/SWTL skid steer loader is SUNWARD new generation of compact multi-function construction machine, which combines technology of mechanic, electrical, hydraulic. Each performance index reaches international advanced level. Its main features include compact structure, flexible performance, convenient operation, high efficiency, multifunction and easy maintenance. It's particularly suitable for urban infrastructure, construction of road and building, workshop, warehouse, dock, ship deck and narrow space like vessel cabin or other places require frequently transformation of working content. By changing work attachment, Skid steer loader can execute various task such as loading, lifting, digging, boring, breaking, Grapping, earth loosening, road cleaning and pavement works.



### ● Innovative Monolithic Structure



- ◆ Fuel tank and chassis was designed as a integral structure that makes machine more compact and durable.
- ◆ Rectangular steel tube structure of boom, good rigidity and high strength.

### ● Closed Static Hydraulic Traveling System



- ◆ Static hydraulic traveling system, equipped by advanced anti-overloading hydraulic device, large-torque motor, big driving force, with self-brake function, safe and reliable.

### ● Original Imported Engine



- ◆ Customized engine from origin import, strong power, high reliability, low noise, environment friendly, meets emission standard of different regions.



### ● Higher Lifting Height



- ◆ Optimized structure designation enable machine to have higher lifting height than other brand.

### ● Unique Vertical Lifting Working Unit



- ◆ Unique vertical lifting working unit, which contains bigger lifting capacity, higher lifting height and longer discharge distance.

### ● Auto-leveling System

Standard hydraulic horizontally, lift the movable boom ensure invariant bucket angle with the ground, to prevent falling material, reduce the labor intensity of the operating personnel.





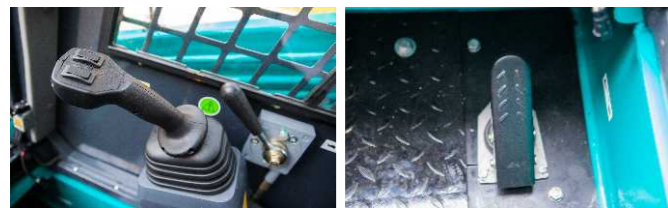


**Pilot Handle Operation**

◆ Proportional control pilot joystick operation, simple, labor saving, agile.

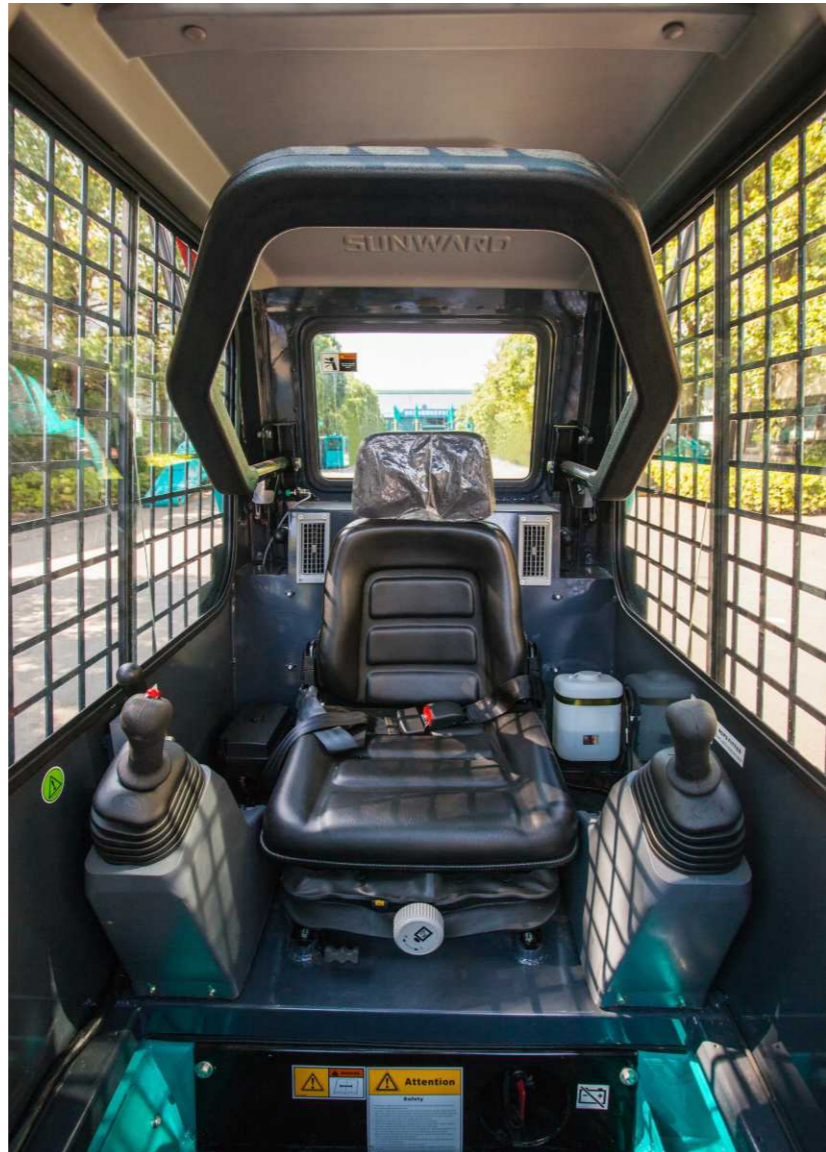
**Double Accelerator Control**

◆ Adapt double accelerator control, hand accelerator for constant power in workplace, pedal accelerator for bucket loading.



◆ Wide space and good vision, easy in and out, all of button and switch is reachable.

◆ Equipped with heater and air conditioning, choose appropriate configuration depending on different regions.



● Open the rear cover door by 90°

● Turn up 60° cover plate of engine

● 30° front tilting cab

● Radiator tank 60° opened



◆ Conform to FOPS/ROPS standard cab structure

◆ Three-level electric starting protection system

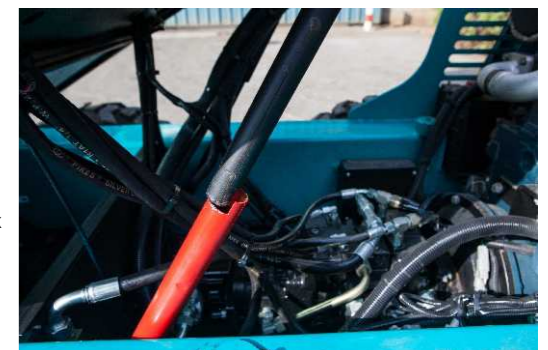
◆ Complete warning beacon, warning signal and reverse horn

◆ Working unit urgency declining function

◆ Rear window detachable



◆ Convenient maintain and reach to every repairing position



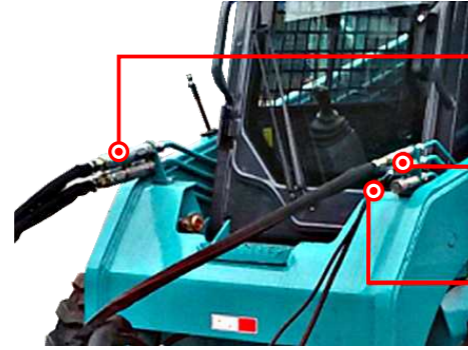
◆ Safety lever locked when lifts boom, cab, cover plate to a max position



### Standard quick coupler



Adapt to international common quick coupler, fast change various kinds attachment. Majority of attachments can be used in Sunward skid steer loader.



High flow  
Normal flow  
Electric control

- High flow system is optional. Skid steer loader enlarge flow rate by interflow of two pumps, which meets lots of attachment required by high flow, like cold planer etc.



Snow Blower



Cold Planer



Ditcher



Compact



Mixer



Auger



Breaker



4 in 1 bucket



Delver



Snow Blade



Earthquake relief in Wenchuan



In Xinjiang



Work in Iran



Sweeping in Beijing



Construction in Changsha



Construction in Russia



Breaking in Belgium



Work in Italy



In U.S.A

### STANDARD CONFIGURATION

- Standard quick coupler, standard bucket, with safety handrail, adjustable seat, centralized display panel, auto-levelling, ordinary flow, front working lights, warning light, reversing warning, horn, double accelero-control, etc.

### OPTIONAL CONFIGURATION

- High flow systems, cabin, air conditioning, external power supply, counterweight, attachments electronic control system, rear working lights, etc.

### ATTACHMENTS

- Bucket, 4 in 1 bucket, fork, manure fork, rod string, sieve shovel, deicer, pushing snow blade, simple delver, grasping wooden bucket, dozer blade, hydraulic breaker, bevel cleaner, closed cleaner, ditch digger, snow blower, blender, auger, planer, vibratory road, weed extractor, disc trencher, move the tree cutter, hedge trimmer, wrecker, rotary cultivator, hundreds of optional attachments etc.



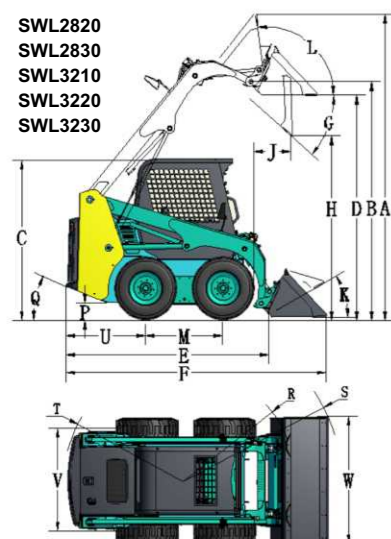
**SWL/SWTL Skid Steer Loader Series Product Size Parameters**

**SWL/SWTL Skid Steer Loader Series Product Performance Parameters**

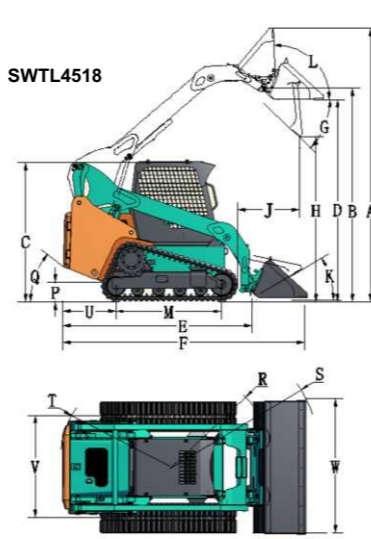
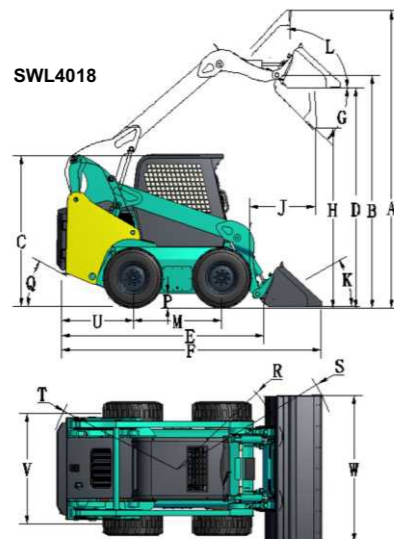
Datas		Model	SWL2820	SWL2830	SWL3210	SWL3220	SWL3230	SWL4018	SWTL4518	
Dimension(L×B×H)		mm	3318×1600×2014	3318×1600×2014	3651×1830×2068	3727×1830×2068	3727×1830×2068	3686×2015×2098	3660×2015×2130	
OPERATING PARAMETERS	A	Max. operating altitude	mm	3850	3850	4020	4020	4020	4108	4108
	B	Height to bucket hinge pin	mm	3002	3002	3123	3123	3123	3210	3210
	C	Height to top of cab	mm	2014	2014	2068	2068	2068	2098	2130
	D	Height to bottom of level bucket	mm	2834	2834	2948	2948	2948	3034	3034
	E	Overall length without attachment	mm	2604	2604	2950	2958	2958	2927	2889
	F	Overall length with standard bucket	mm	3318	3318	3651	3727	3727	3686	3660
	G	Dump angle at full height	°	42	42	43	43	43	43	43
	H	Dumping height	mm	2320	2320	2395	2395	2395	2453	2453
	J	Dumping reach	mm	475	475	625	625	625	876	925
	K	Rollback at ground	°	30	30	30	30	30	30	30
	L	Rollback angle at full height	°	97	97	93	93	93	92	92
	M	Wheelbase	mm	987	987	1116	1148	1148	1233	1600
	P	Ground clearance	mm	220	220	205	205	205	205	235
	Q	Angle of departure	°	25	25	27	26	26	28	36
	R	Without the attachments before turning radius	mm	1235	1235	1342	1344	1344	1365	1439
	S	Before turning radius	mm	1953	1953	2180	2201	2201	2245	2289
	T	After turning radius	mm	1531	1531	1700	1747	1747	1751	1673
	U	Tail length	mm	1021	1021	1122	1170	1170	1063	802
	V	Wheel spacing (track center distance)	mm	1293	1293	1475	1475	1475	1501	1530
W	Bucket width	mm	1600	1600	1830	1830	1830	2015	2015	

Datas		Model	SWL2820	SWL2830	SWL3210	SWL3220	SWL3230	SWL4018	SWTL4518
PERFORMANCE	Total weight	kg	2830	2830	3350	3450	3450	4000	4560
	Loading capacity	kg	750	750	1000	1100	1100	1500	1500
	Tipping load	kg	1500	1500	2000	2200	2200	3000	4285
	Bucket breakout force lift	kg	2000	2000	2480	2480	2480	3450	3450
	Boom breakout force lift	kg	1900	1900	2430	2430	2430	3000	3000
	Max. traveling speed	km/h	13	13	12.6	12.6	12.6	10/20 (Double speed)	7/11 (Double speed)
	Bucket capacity	m <sup>3</sup>	0.4	0.4	0.53	0.53	0.53	0.67	23.6
	Brand		KUBOTA	KUBOTA	KUBOTA	KUBOTA	KUBOTA	KUBOTA	KUBOTA
ENGINE	Model		V2403M-T	V2403-CR-TE4B	V3300DI	V3307DI-T	V3307-CR-TE4B	V3800DI-T	V3800DI-T
	Type		4-cylinder, water-cooled, diesel engine						
	Emission standards		EPA Tier4/EU Stage III A	EPA Tier4F/EU Stage V	EPA Tier2/EU Stage II	EPA Tier4/EU Stage III A	EPA Tier4F/EU Stage V	EPA Tier3/EU Stage III A	EPA Tier3/EU Stage III A
	Power	kW/rpm	41.7/2600	48.6/2700	54.9/2600	55.4/2600	55.4/2600	74/2600	74/2600
	Max. torque	N·m/rpm	163.6/1800	198.5/1900	244/1400	265/1600	265/1500	325/1600	325/1600
	Type		Hydrostatic closed circuit						
TRANSMISSION SYSTEM	Main pump		2×Variable displacement piston pump						
	Motor		2×Radial piston quantitative motor					2×Radial piston two variable motor	2×Radial piston two variable motor + Reducer
	Type		Throttling system						
HYDRAULIC SYSTEM	Pump		Gear pump						
	Standard flow/Max. flow	L/min	67/98	67/98	86/131	86/131	86/131	95/170	86/131
	Working pressure	bar	210/165	210/165	210/165	210/165	210/165	210/165	210/165
	Control valve		Three joint multi-way valve						
	Control mode		ISO model of pilot control						
ELECTRICAL SYSTEM	Starting motor	V/kW	12/2.0	12/2.0	12/3.0	12/3.0	12/3.0	12/3.0	12/3.0
	Alternator	V/A	12/60	12/60	12/45	12/80	12/80	12/80	12/80
	Battery	Ah	120	120	120	120	120	120	120
FILLING QUANTITY	Hydraulic oil tank	L	35	35	35	60	60	65	65
	Fuel oil tank	L	75	75	85	110	110	90	90
	Sprocket oil tank	L	24	24	26	26	26	30	—
	Engine oil	L	9.5	9.5	13	11	11	13.2	13.2
	Sprocket oil tank	L	8	8	9	9	9	9.9	10
RUNNING CONFIGURATION	Tire size		10-16.5	10-16.5	12-16.5	12-16.5	12-16.5	12-16.5-12RP	—
	Track size		—	—	—	—	—	—	450×84×57

**SWL Series**



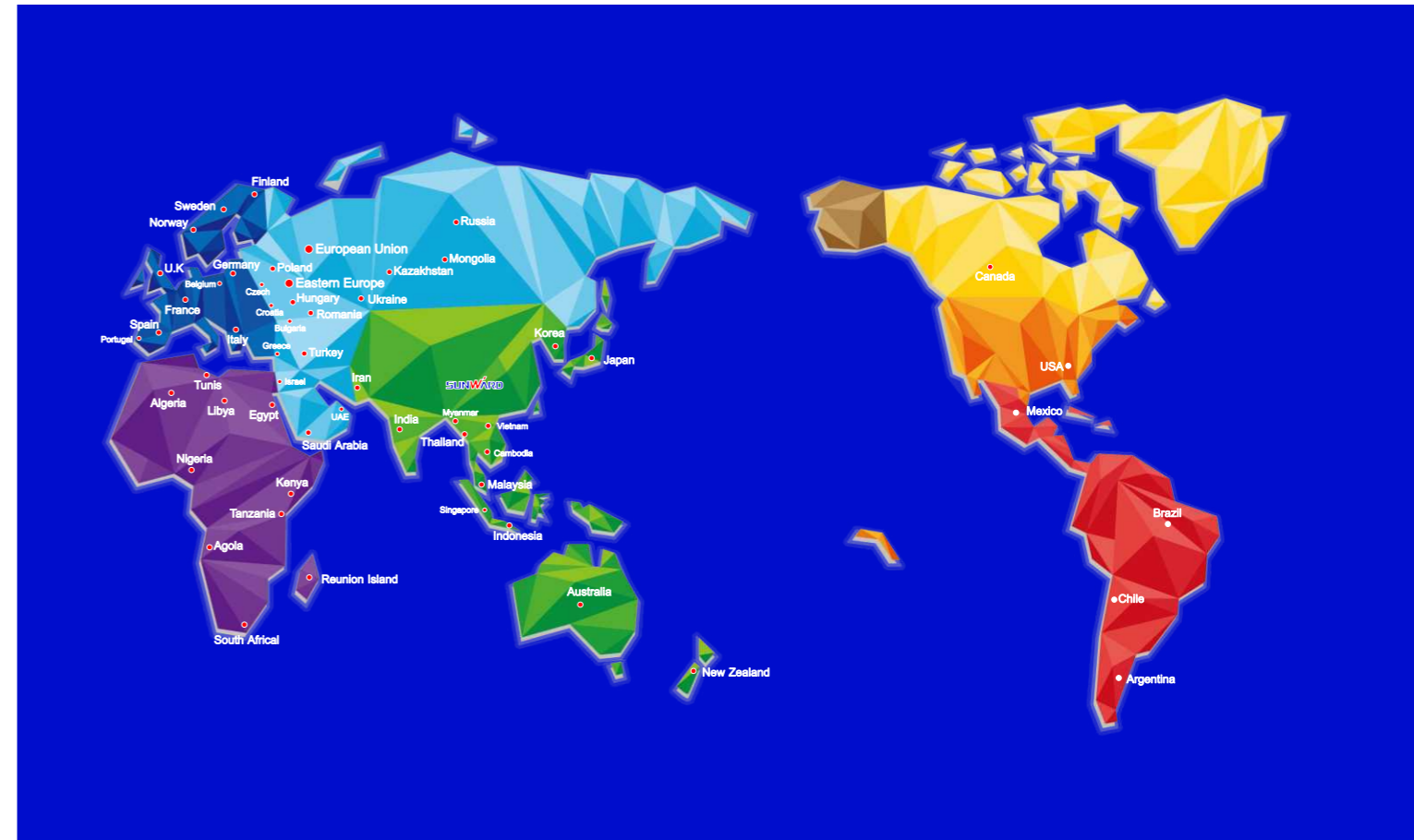
**SWTL Series**







Worldwide Network for Sales and Service



**Asia**

- Combia
- India
- Indonesia
- Iran
- Japan
- Korea
- Malaysia
- Mongolia
- Myanmar
- Saudi Arabia
- Singapore
- Thailand
- U.A.E
- Vietnam

**Europe**

- European Union
- Eastern Europe
- Russia
- Turkey
- Ukraine

**America**

- Argentina
- Brazil
- Canada
- Chile
- Mexico
- U.S.A

**Oceania**

- Australia
- New Zealand

**Africa**

- Algeria
- Egypt
- Libya
- Nigeria
- Reunion Island
- South Africa
- Tanzania
- Tunis

**CIS**

- Five Countries of Central Asia
- Kazakhstan
- Russia
- Turkmenistan
- Ukraine
  
- The Republic of Azerbaijan
- The Republic of Belarus
- The Republic of Kyrgyz
- The Republic of Tajikistan
- The Republic of Uzbekistan