



**SR94**

## Tracked Scalper Screen



Quality Engineered  
Excellence Since 1911

# SR94 Tracked Scalper Screen 2.7m x 1.2m (9ft x 4ft)

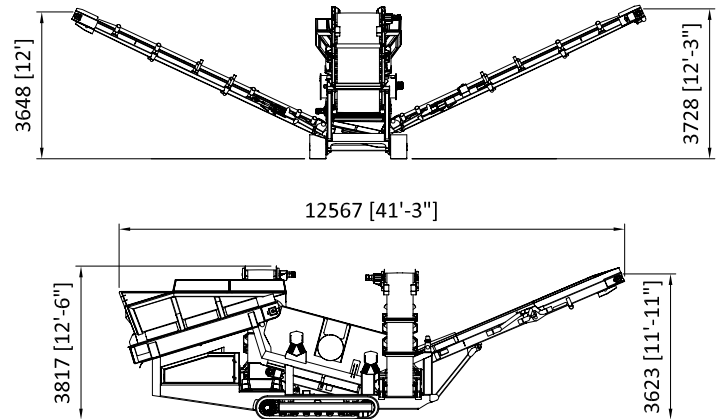


## TRANSPORT:

WIDTH: 2600mm (8' 6")

HEIGHT: 3200mm (10' 6")

LENGTH: 10540mm (34' 6")



## Feed Hopper

The feed hopper measures 2.0m x 4.1m (6' 6" x 13' 5") and has a 3.85m<sup>3</sup> (5yd<sup>3</sup>) capacity.

## Belt Feeder

1050mm (42") wide 2 ply troughed belt conveyor with variable speed control.

## Vibrating Screen

The vibrating screen is a two deck 2.7m x 1.2m (9' x 4') hydraulically adjustable variable angle design.

## Product Conveyor

The product conveyor is a 1050mm (42") wide, variable speed heavy-duty chevron type cleated belt that prevents roll back of material. The return rollers are a rubber disc type to help clean the belt and assist with correct tracking of the belt. The discharge height is 3.6m (11' 11") and the conveyor folds down hydraulically for transport.

## Side Product Conveyors

Both side product conveyors are 650mm (26") wide variable speed chevron type belts that are cleated to prevent roll back of material. The return rollers are a rubber disc type to help clean the belt and assist with correct tracking of the belt. The discharge heights are 3.7m (12' 1") and both conveyors fold in hydraulically for transport.

## Powerpack

Deutz turbo charged water cooled diesel engine rated 49.4kW (66hp)@2200rpm. All housed in a vandal proof compartment.

## Tracks

2.5m (8' 1") x 400mm (16") wide pads are fitted for stability.

## Track Controls

Tracking control is mounted at the rear of the plant and is fitted with a heavy duty socket.

## Options

Special features are available to suit your requirements:

- Top deck bofar bars, punch plate or heavy duty finger screen deck
- Radio remote control for tracks.



Conveyors folded ready for transport.

**Parker Plant Limited, Viaduct Works, Canon Street, Leicester, LE4 6GH, United Kingdom**  
**T: +44 (0) 116 266 5999 F: +44 (0) 116 266 4422 W: www.parkerplant.com E: sales@parkerplant.com**

All reasonable steps have been taken to ensure the accuracy of this publication. However, due to our policy of continual product development, Parker Plant Limited reserve the right to change details without prior notice. All machines supplied in accordance with our standard conditions. Illustrations and photos may show optional equipment.