

# SPK 38502

- Equipped with load holding valves for safe crane operations
- High speed boom extension and retraction with Return Oil Utilization
- Optimized lifting performance with the use of high tensile steel and hexagonal boom design
- Lightweight yet robust construction according to European standards (EN 12999)
- Optional Overload Protection and Emergency Stop Button
- Professional installation solutions
- Suitable for installation on 3-axle trucks

**38.2 mt**

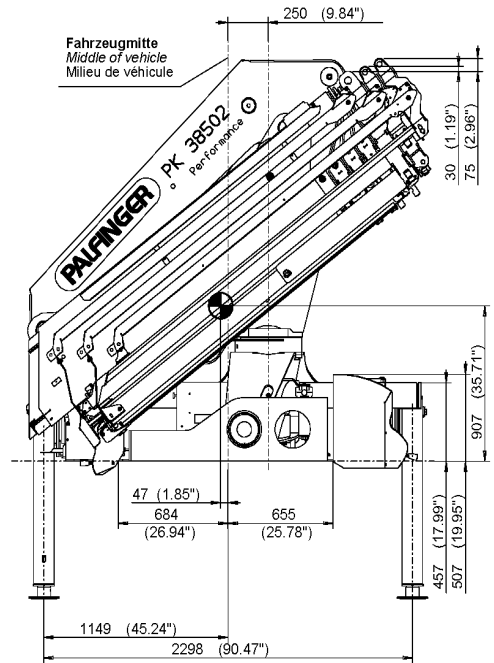
Max. lifting  
moment

**16.8 m**

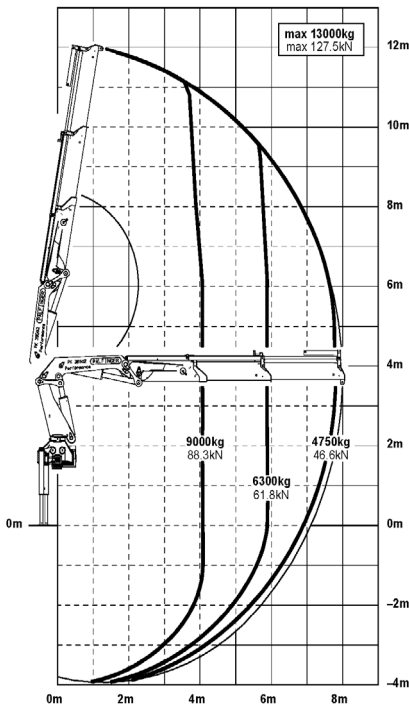
Max. outreach

## TECHNICAL SPECIFICATIONS (EN 12999 H1-B3)

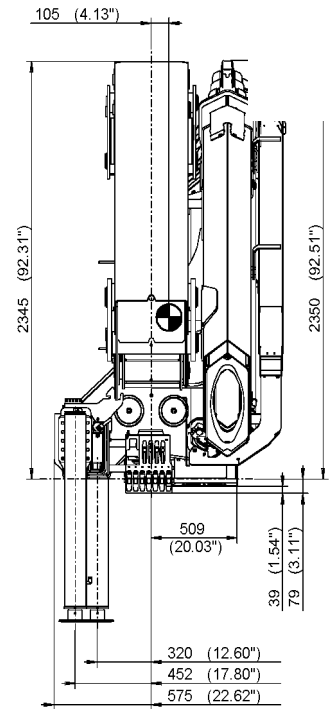
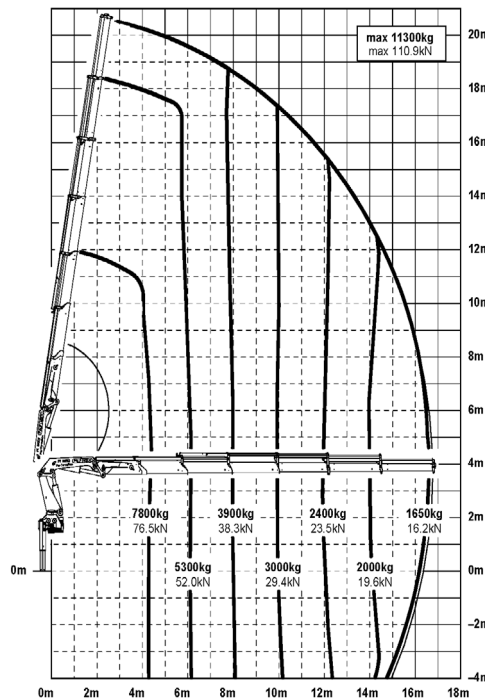
Max. Lifting Moment	mt	38.2
Max. Lifting Capacity	kg	13000
Max. Outreach	m	8.0 (A) / 12.1 (C) / 16.8 (E)
Slewing Angle	o	400
Slewing Torque	mt	5.0
Stabilizer Spread	m	6.6 (R3X)
Fitting Space Required (Std)	m	1.21
Width Folded	m	2.5
Operating Pressure	bar	300
Recommended Pump Capacity	l/min	55 - 80
Dead Weight (Std)	kg	3970



### SPK 38502 A



### SPK 38502 E



Authorized Dealer:

Units shown in the leaflet are partially optional equipped and do not always correspond to the standard version. Country-specific regulations must be observed. Dimensions may vary. Subject to technical changes, errors and translation mistakes.

Asia Pacific Distributor Managed By:

**PALFINGER ASIA PACIFIC PTE LTD**

3 International Business Park | Nordic European Centre  
#05-25/26 | Singapore 609927

T +65 6592 9192

asia@palfinger.com

F +65 6591 7737

www.palfinger.com