



## **SK487-AT3 City Boy Plug-in Hybrid eDrive**

40 meter radius / 7.000 kg max.

# Plug-in Hybrid eDrive



3 in 1  
cabin



Very spacious  
cabin



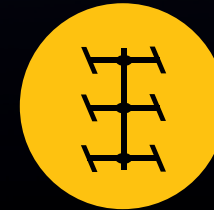
Compact truck  
dimensions



Maneuvering by  
remote control



Increased®  
Outrigger System

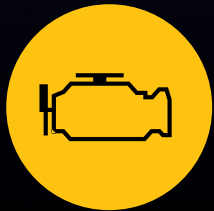


All axles  
steered



Fully electric  
driving mode





Range extender



Shared components



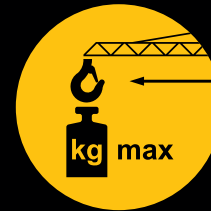
Electric crane operation



Setup in 14 minutes



One job, one man



Incredible crane dimensions



Hydraulic motions





0 km/h  
R/N/D

**SPIERINGS**  
MOBILE CRANES

Drive Mode Reverse Mode

L R

- + 8 + -



## 3 in 1 cabin

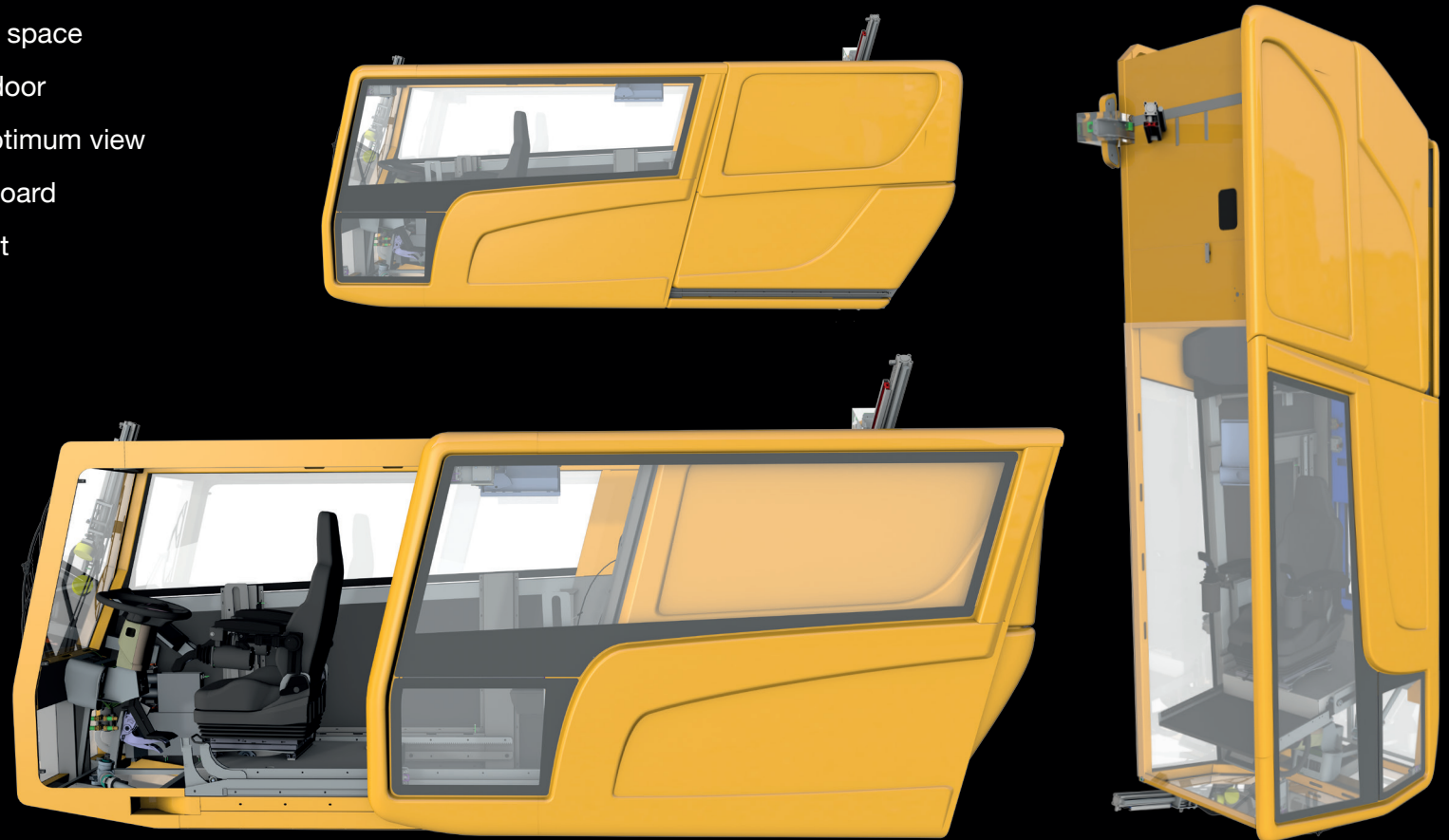
- ⌘ Truck cabin
- ⌘ Elevator
- ⌘ Crane cabin

## Very spacious cabin

- ⌘ 970x1670x3130 mm<sup>3</sup> indoor space
- ⌘ Electrically opened sliding door
- ⌘ Large window surface for optimum view
- ⌘ Modern touch screen dashboard
- ⌘ Turning driver / operator seat
- ⌘ Foldable passenger seat
- ⌘ Air-conditioning
- ⌘ Rear view camera

## Infinitely height-adjustable elevating operator's cab

- ⌘ Cabin is lifted by 2 steel cables
- ⌘ Electro magnet system fastens the cabin completely to the tower to obtain an optimum fixation with the crane during operation
- ⌘ The cabin is guided by 2 steel guiding cables





# Drive train & power supply

**Axle 1:** steer drive axle (end reduction  $i = 8.46$ )  
**Axle 2:** steer axle  
**Axle 3:** steer drive axle (end reduction  $i = 8.46$ )

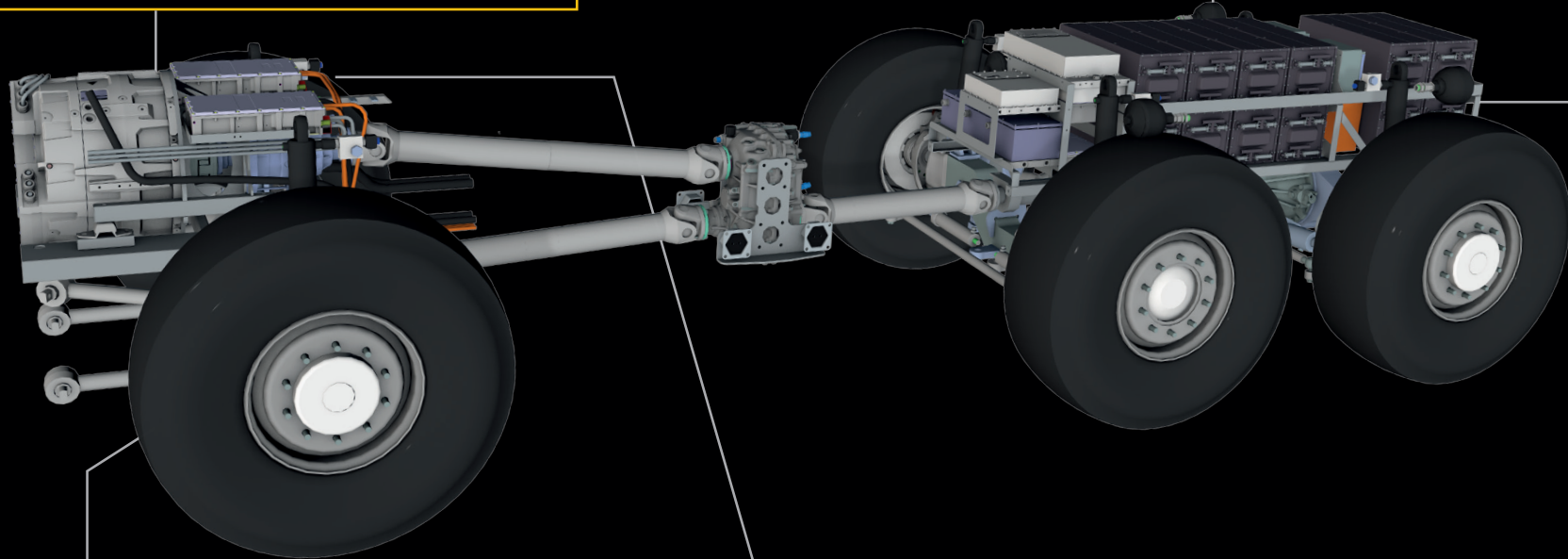
**Kessler-axes with disc brakes**

## Battery

Lithium-ion cells 42.5 kWh  
Max. discharging power: 127.5 A  
Max. charging power: 127.5 A

## Optional: Super battery

Lithium-ion cells 85 kWh  
Max. discharging power: 225 A  
Max. charging power: 225 A



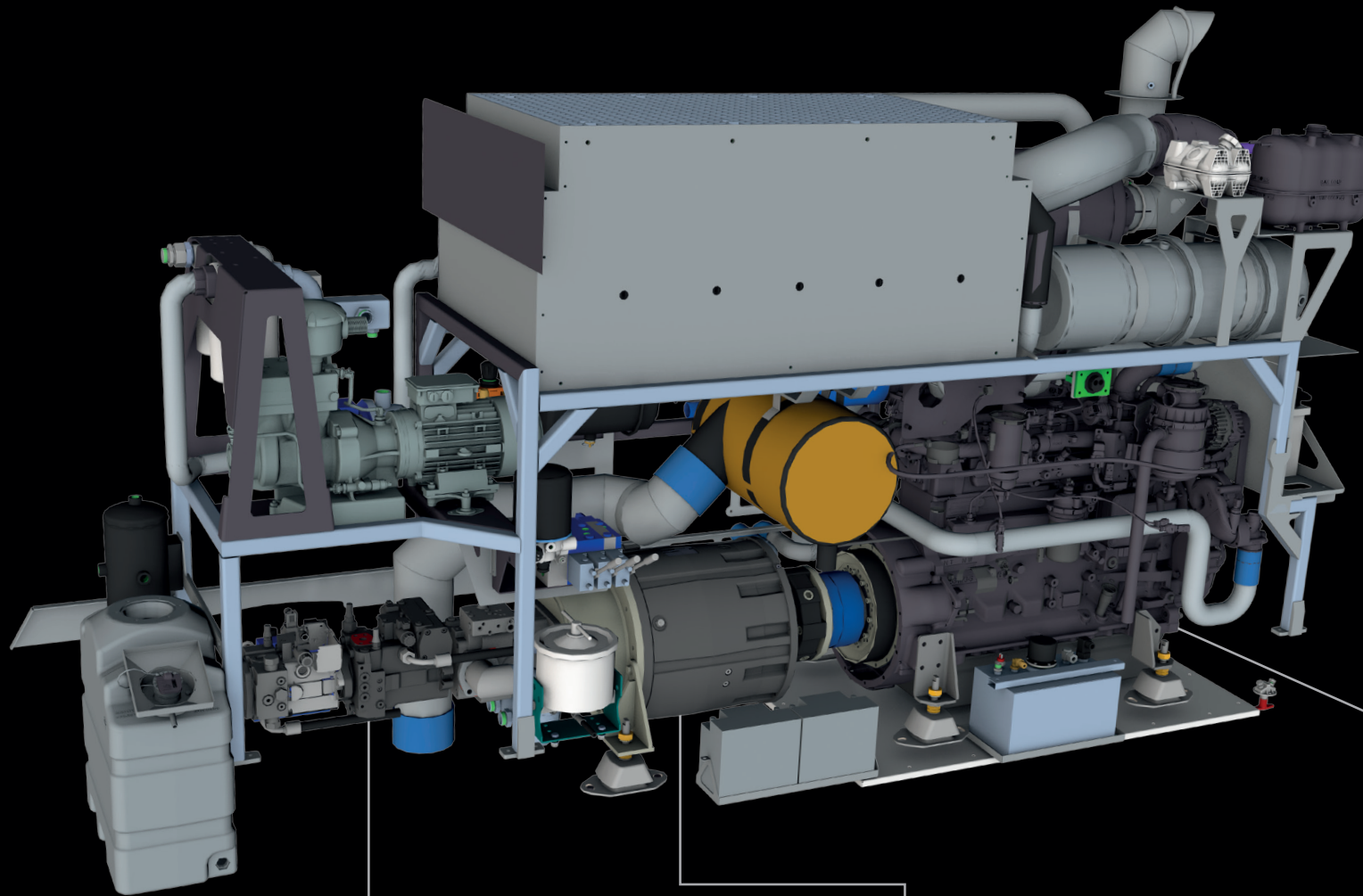
**Tires:** 445 / 75 R 22.5  
**Suspension:** Hydro-pneumatic on all axles  
**Stroke suspension cylinder:** 247 mm  
**Max. speed carrier:** 75 km/h  
**Overall weight:** 36.000 kg

## PM synchronous electric motor

Power: 370 kW / 2600 rpm  
Torque: 1900 Nm

**Network connection:** 400 V / 25 A  
**Spring cable reel:** 50 m





#### Drive modes

- 8 Full electric
- 8 Hybride
- 8 Diesel

#### Hydraulic pumps

3 hydraulic pumps are mounted for all crane motions which are hydraulic proportional controlled.

#### PM synchronous generator

Power: 170 kW / 2300 rpm  
Torque: 840 Nm

#### Superstructure engine, Stage IV

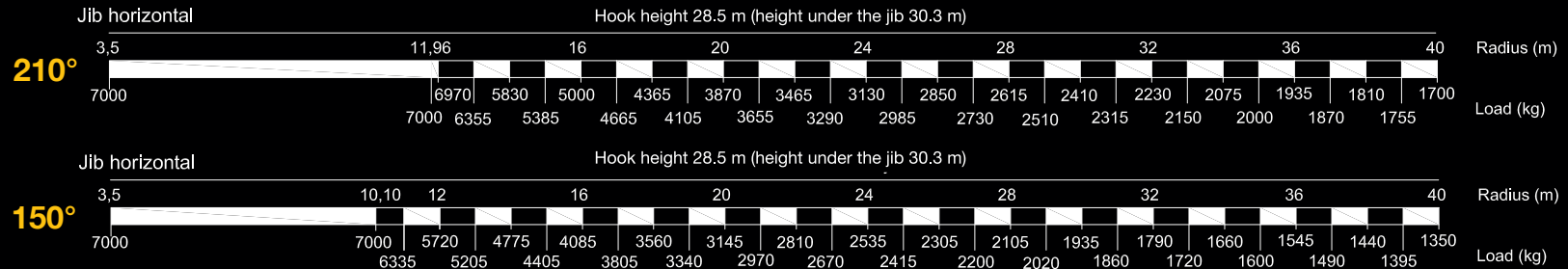
John Deere 6068HFC09  
Power: 224 kW / 2400 rpm  
Torque: 1141 Nm / 1600 rpm



# Lifting charts

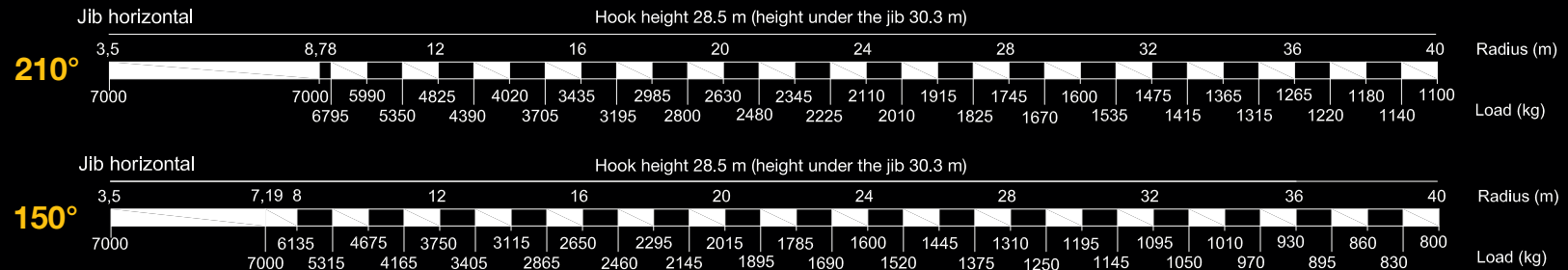
## ⌘ Lifting chart outrigger support base 7.25 m x 7.20 m

(up to wind force 7 Bft / 14 m/sec)



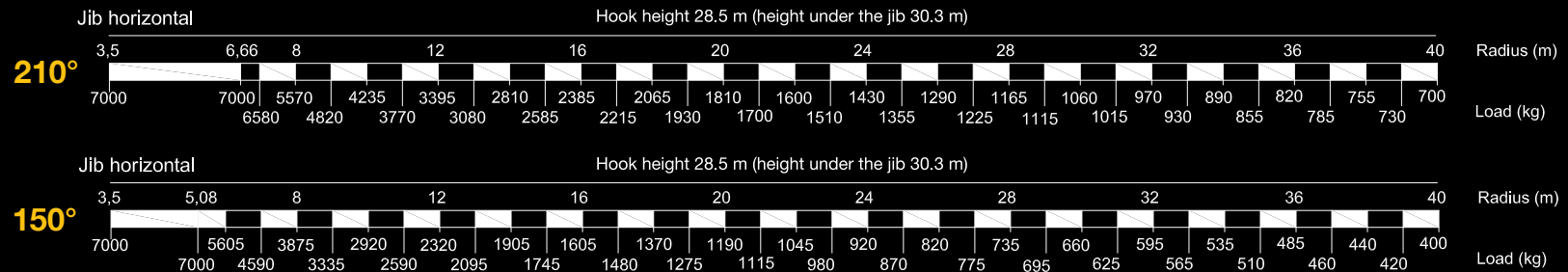
## ⌘ Lifting chart outrigger support base 5.70 m x 7.20 m

(up to wind force 7 Bft / 14 m/sec)

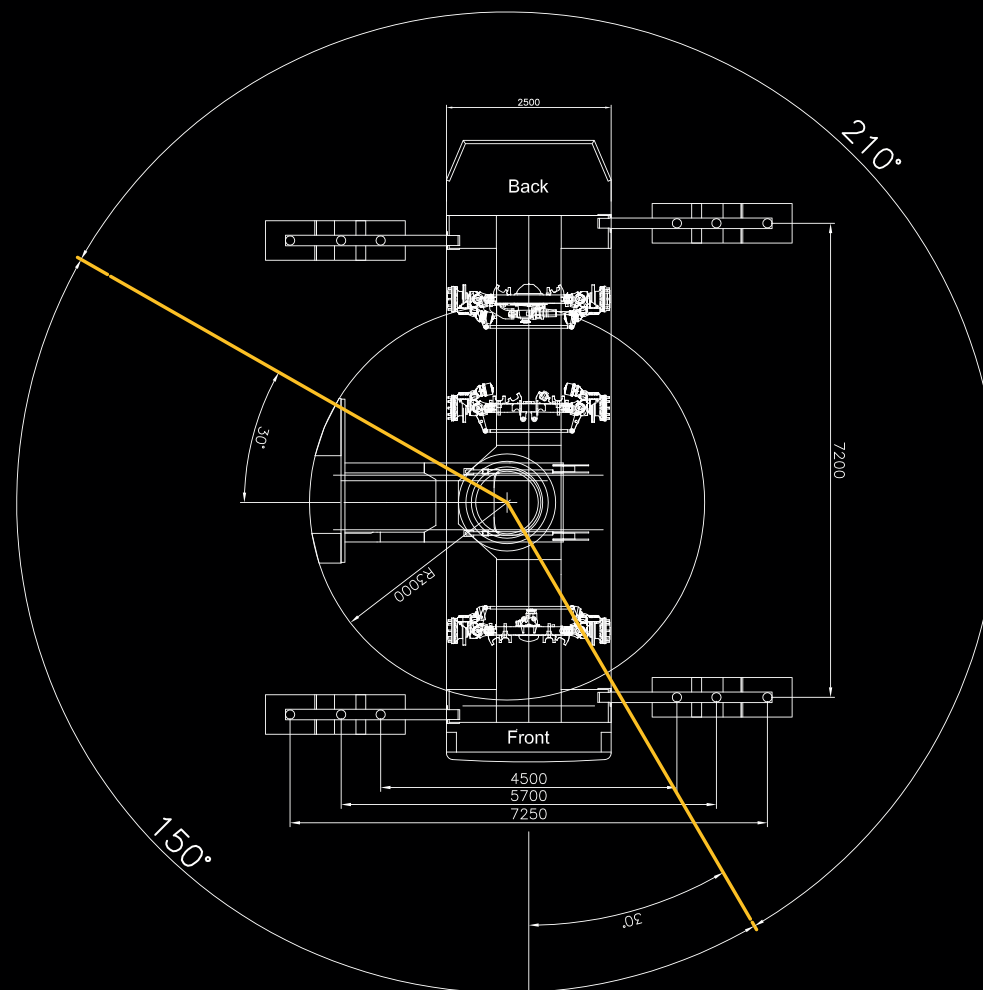


## ⌘ Lifting chart outrigger support base 4.50 m x 7.20 m

(up to wind force 7 Bft / 14 m/sec)

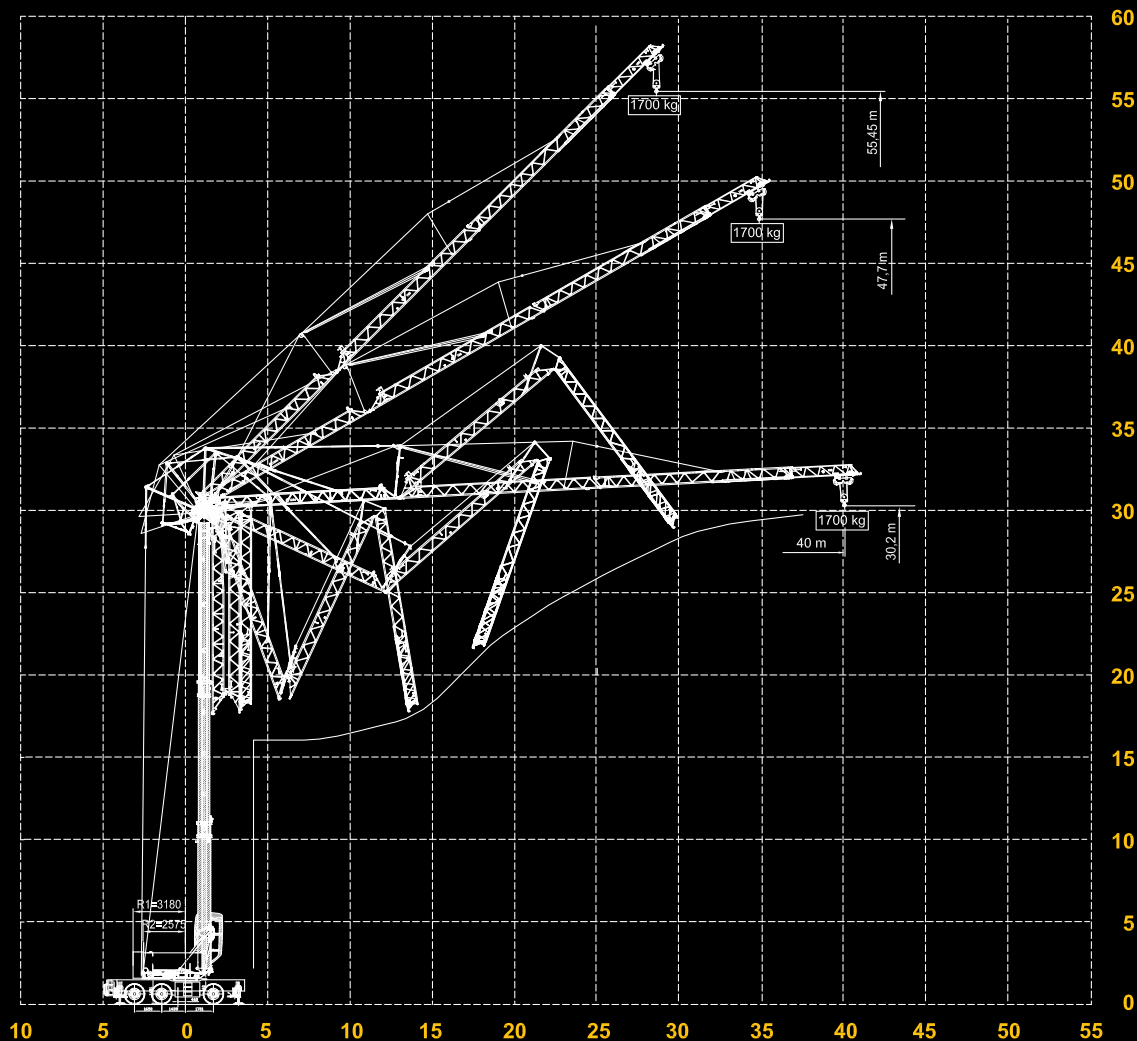


# Slewing ranges of 210° & 150° lifting chart





# Incredible crane dimensions



## Spierings SK487-AT3 City Boy

### ⌘ 4 different tower heights

- 30 meter
- 27 meter
- 24 meter
- 21 meter

### ⌘ High erecting curve

⌘ Total weight: 36.000 kg

⌘ Max. outrigger force: 315 kN

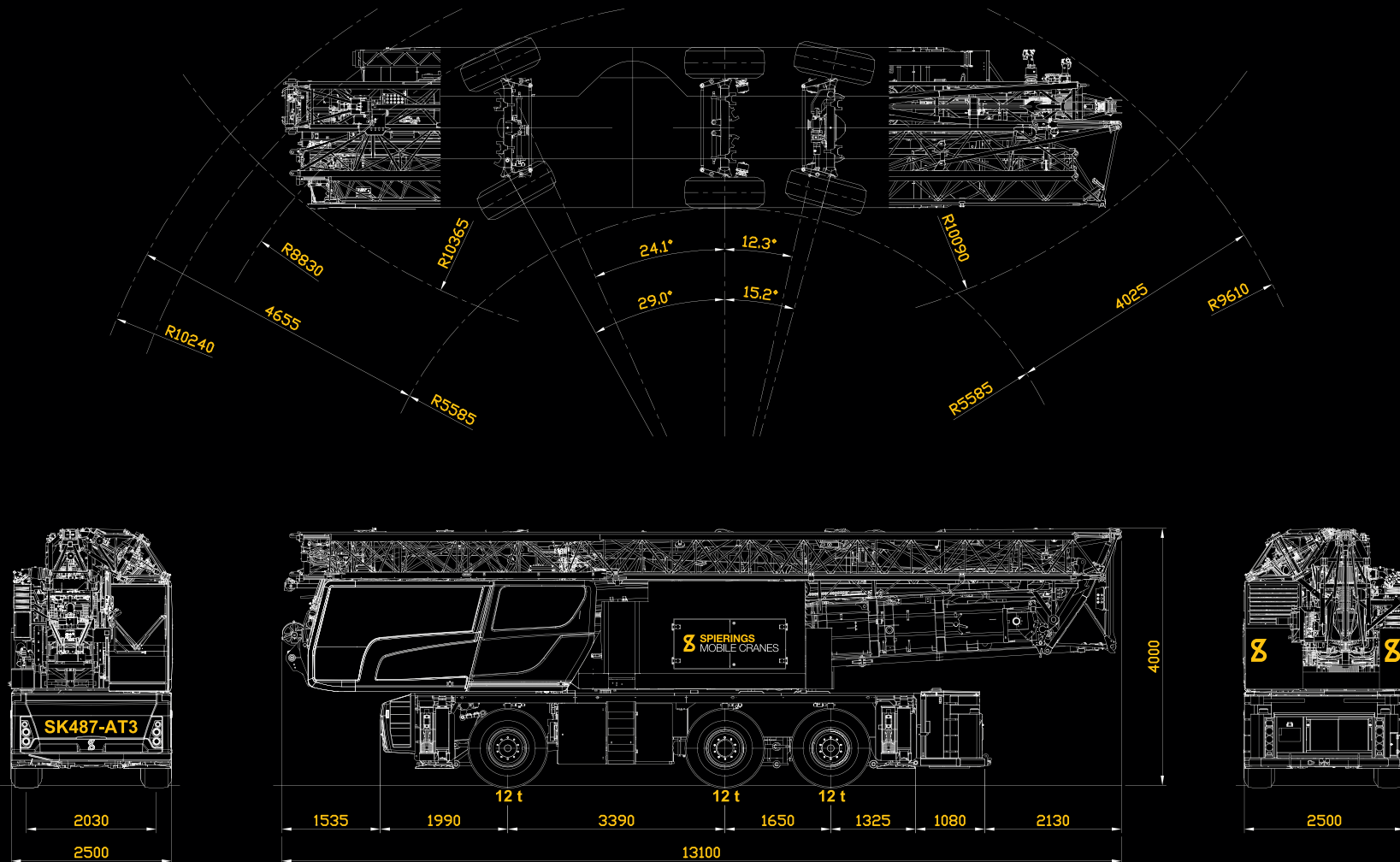
⌘ Outrigger support pads: 1000 x 900 mm

⌘ Ground pressure: 0,35 N/mm<sup>2</sup>

⌘ Jib can be unfolded through 360°

⌘ Luffing the jib 30°/45° can be controlled from the crane cab or remote control

# Compact truck dimensions





**SPIERINGS**  
MOBILE CRANES

[www.spieringscranes.com](http://www.spieringscranes.com)

[sales@spieringscranes.com](mailto:sales@spieringscranes.com)



**Lift to the max.**