

fantuzzi

SideLIFTS

DIESEL

U

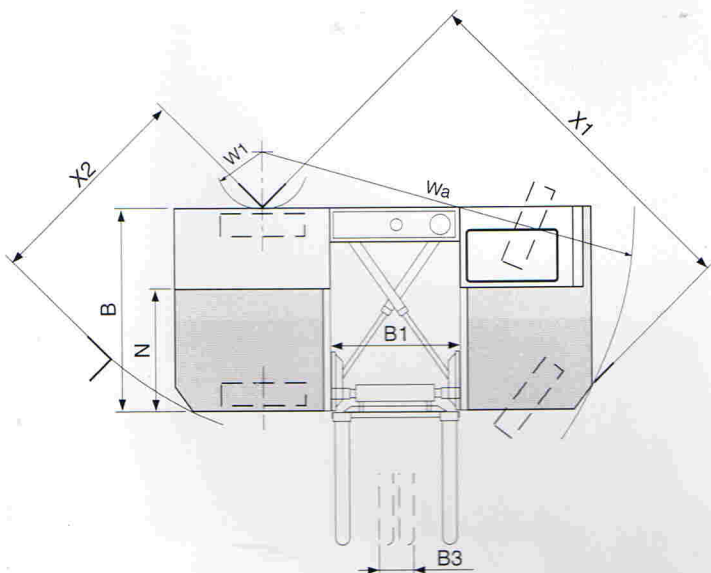
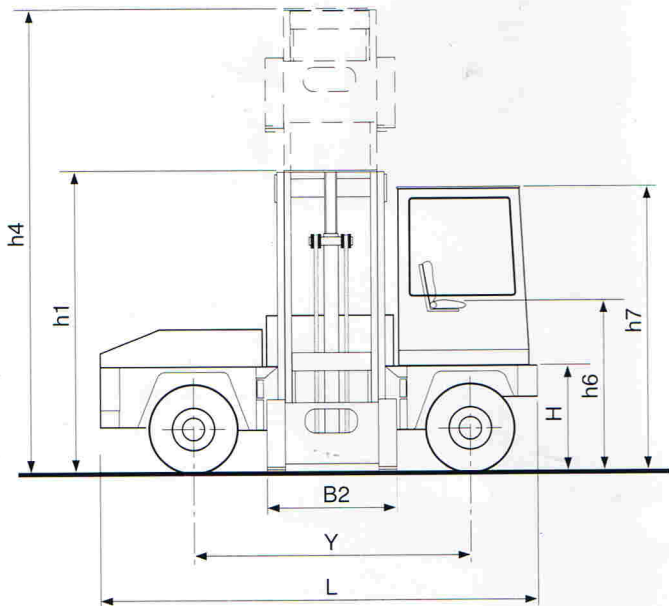
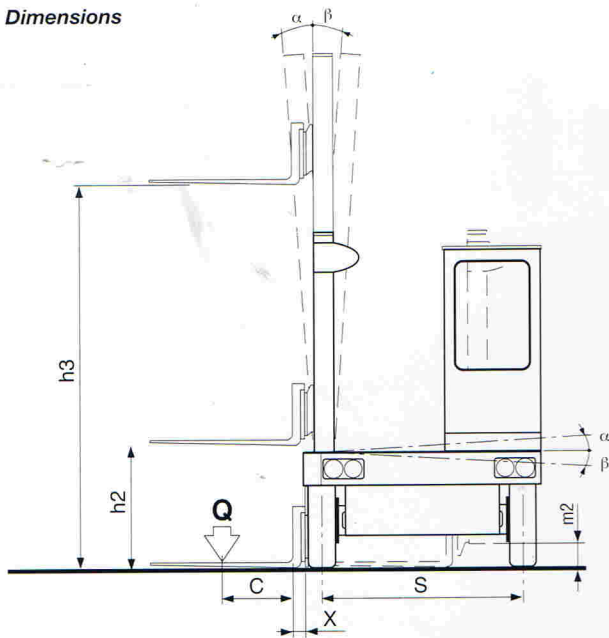
ELECTRIC

E

SPACE
VALUE



Dimensions



1	Manufacturer			
2	Model		MODEL	
3	Capacity	Q	Nominal Capacity	Kg.
4	Load centre	C	Distance	mm.
5	Motive power		Electric, Diesel, Petrol, Gas	
6	Driver Position		Manual, Standing, Seated	
7	Tyres		V = Solid - L = Pneum	F/R
8	Wheels (x = driven)		Number	F/R
9	Lift	h3	Height	mm.
10	with two	h2	Standard Free Lift	mm.
11	Stage Mast	h5	Special Free Lift	mm.
12	Fork Carriage		To FEM Standards	
13			Thickness, Width, Length	mm.
13a	Forks	B2	Max. Distance External	mm.
13b		B3	Min. Distance External	mm.
14	Tilt		Forward/Reverse	α/β
15		L	Length	mm.
16		B	Width	mm.
17		h1	Closed Mast Height	mm.
18		h4	Open Mast Height	mm.
19	Maximum dimensions	h6	Height Seat	mm.
20		h7	Height Cabin	mm.
20a		H	Platform (Deck) Height	mm.
20b		N	Platform (Deck) Width	mm.
20c		B1	Well Width	mm.
21	Turning radius	W1/Wa	Internal/External	mm.
22	Fork Face Stand-Out	x		mm.
23	Aisle	x1		mm.
23a		x2		mm.
24			Travel With / Without Load	Km/h
25	Speeds		Lift With / Without Load	m/s
26			Lowering With / Without Load	m/s
26a			Traverse With / Without Load	m/s
27	Drawbar pull		With / Without Load	KN
28	Max Drawbar pull		Loaded	KN
29	Gradient		With / Without Load	%
30	Max Gradient		Loaded	%
31	Acceleration		Loaded	m/s
32	Weight		Without Load	Kg.
33	Axle loads		With Load	F/R Kg.
34			Without Load	F/R Kg.
35			Number	F/R
36			Size Front	
37	Tyres		Size Rear	
37a			Inflation Pressure	bar
37b			Ground Pressure	Kg./cm ²
38	Wheel base	y	Wheel Centre	F/R mm.
39	Track	S	Wheel Centre / Centre	mm.
40	Ground clearance	m1	With Load Lowest point	mm.
41		m2	With Load Mid Track	mm.
42	Service Brakes	Rear	Pedal Servohydraulic	
43	Parking brakes		Mechanical	
45	Batteries		Voltage/Capacity	V/Ah
49			Drive engine	kW
50			Hydraulic pump engine	kW
51			Steering pump engine	kW
52	Engines			
53				
53a				
54	Electronic Control System			
55	-			
56	-			
57	Working Pressure			bar
58	Noise Level		BITA RP 20	dB (A)
59	Stability Factor		Static	

Due to a "continuous improvement" policy the Company reserves the right to change published specifications without prior notice.

T H E T E C H N I C A L

SF30E SF40E SF50E SF60E

THE TECHNICAL SPECIFICATIONS

FANTUZZI			
SF 30E	SF 40E	SF 50E	SF 60E
3000	4000	5000	6000
600	600	600	600
Electric	Electric	Electric	Electric
Seated	Seated	Seated	Seated
L/L	L/L	L/L	L/L
2/2	2/2	2/2	2/2
4000	4000	4000	4000
800	800	1000	1000
-	-	-	-
3A	3A	4A	4A
45 x 130 x 1200	50 x 150 x 1200	50 x 200 x 1200	60 x 200 x 1200
1200	1200	1200	1200
400	400	400	400
4°/4°	4°/4°	4°/4°	4°/4°
4000	4000	4500	4500
2000	2000	2000	2000
3050	3150	3150	3210
5050	5150	5150	5210
1450	1450	1650	1650
2550	2550	2750	2750
800	800	980	980
1200	1200	1200	1200
1300	1300	1300	1300
1300/4200	1300/4200	1500/4400	1500/4400
100	100	100	100
-	-	-	-
-	-	-	-
15/18	15/18	18/20	18/20
0,20/0,25	0,20/0,25	0,20/0,25	0,20/0,25
0,30/0,25	0,30/0,25	0,30/0,25	0,30/0,25
0,25	0,20	0,25	0,25
-	-	-	-
2200	2200	3000	3000
-	-	-	-
25	22	20	20
-	-	-	-
7000	7300	9500	10000
4500/5500	5150/6150	6750/7750	7500/8500
3000/4000	3150/4150	4250/5250	4400/5500
2/2	2/2	2/2	2/2
27.10 - 12	27.10 - 12	300 - 15	300 - 15
27.10 - 12	27.10 - 12	300 - 15	300 - 15
9	9	9	9
8	8	8	8
2450	2450	2600	2600
1700	1700	1680	1680
200	200	250	250
-	-	-	-
-/Drum	-/Drum	Dry Disc/Drum	Dry Disc/Drum
Drum	Drum	Drum	Drum
80/800	80/800	80/1050	80/1050
17	17	30	30
17	17	18	30
2	2	2	2
ZAPI			
130	130	130	130
50	50	50	50
1,5	1,5	1,5	1,5

The FANTUZZI SIDELIFT is the ideal machine for handling long loads such as timber packs, pipes, steel plate or similar items in lengthwise direction. The load is picked up literally and transported on the platform. Thus it needs up to 40% less operating space which can be used as storing area.

CHASSIS

Strong, welded construction ensures an excellent stability during all loading.

ENGINES

Electric sideloaders are powered by an efficient 80V system.

MAST ASSEMBLIES

As a standard FANTUZZI SIDELIFTS are equipped with duplex mast with free lift above the platform height. Full-free-lifts or triplex configuration are also available.

CABIN

The cabin is designed according to the last ultimate ergonomical standards and provides optimal working conditions.

SPACE
VALUE

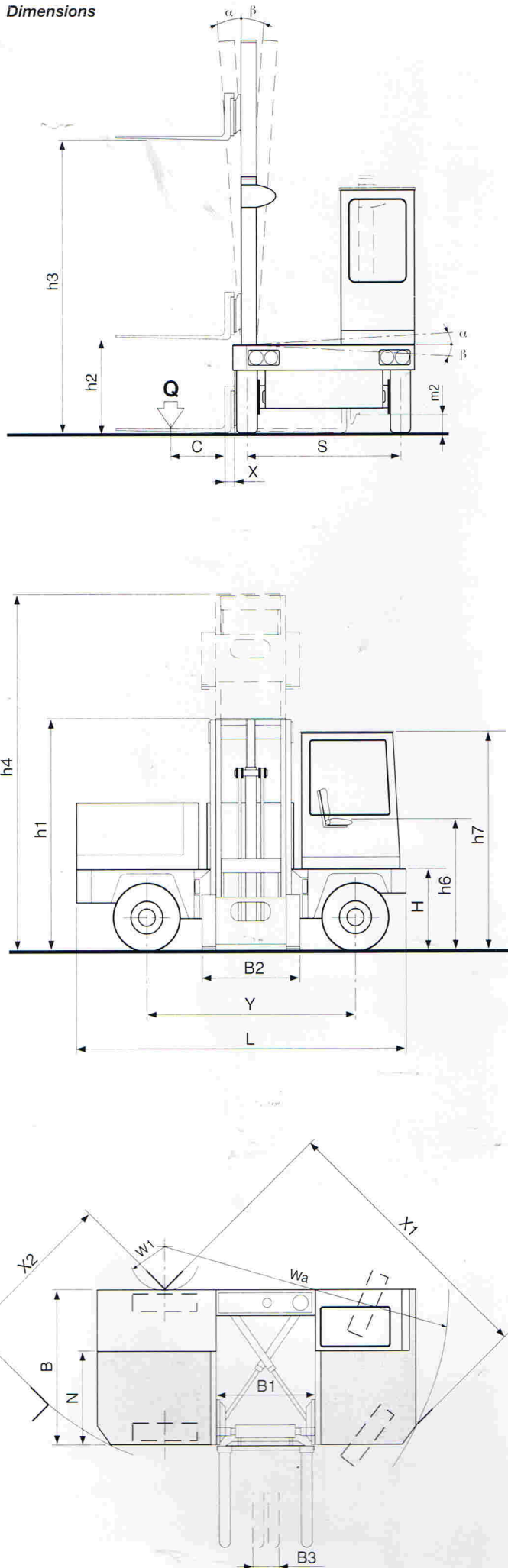


S P E C I F I C A T I O N S

The wind of innovation

SF-E

Dimensions



1	Manufacturer			
2	Model		TYPE	
3	Capacity	Q	Nominal Capacity	Kg.
4	Load centre	C	Distance	mm.
5	Motive power		Electric, Diesel, Petrol, Gas	
6	Driver Position		Manual, Standing, Seated	
7	Tyres		V=solid, L=pneum	F/R
8	Wheels (x = driven)		Number	F/R
9	Lift	h3	Height	mm.
10	with two	h2	Standard Free lift	mm.
11	stage mast	h5	Special Free Lift	mm.
12	Fork carriage		To FEM Standards	
13			Thickness x width x length	mm.
13a	Forks	B2	Max distance External	mm.
13b		B3	Min distance External	mm.
14	Tilt		Forward/Reverse	α/β
15		L	Length	mm.
16		B	Width	mm.
17		h1	Closed mast height	mm.
18		h4	Open mast height	mm.
19	Maximum dimensions	h6	Seat height	mm.
20		h7	Cabin height	mm.
20a		H	Platform (Deck) Height	mm.
20b		N	Platform (Deck) Width	mm.
20c		B1	Well Width	mm.
21	Turning radius	W1/Wa	Internal/External	mm.
22	Fork face stand-Out	x		mm.
23	Aisle	x1		mm.
23a		x2		mm.
24			Travel with / without load	Km/h
25	Speeds		Lift with / without load	m/s
26			Lowering with / without load	m/s
26a			Traverse with / without load	m/s
27	Drawbar pull		With / without load	KN
28	Max Drawbar pull		Loaded	KN
29	Gradient		With / without load	%
30	Max Gradient		Loaded	%
31				
32	Weight		Without load	Kg
33	Axle loads		With load F / R	Kg
34			Without load F / R	Kg
35			Number F / R	
36	Tyres		Size Front	
			Size Rear	
37a			Inflation pressure	bar
37b			Ground pressure	Kg/cm ²
38	Wheel base	y	Wheel centre F / R	mm.
39	Track	S	Wheel Centre / Centre	mm.
40	Ground clearance	m1	With Load Lowest Point	mm.
41		m2		mm.
42	Service Brakes	F/R	Pedal Activated Servoassisted Hydraulic	
43	Parking brakes	Rear	Mechanical	
45	Batteries		Voltage / Capacity	V/Ah
49			Manufacturer / Type	
50			Power (ISO 3046)	kW/CV
51			Revolutions per minute	
52	Engine		Number of Cylinders / Capacity	cm ³
53			Fuel Consumption (Specific)	g/kWh
53a			Fuel Consumption (AVE)	l/h
54	Transmission Gears		Model	
55	Transmission			
56	Clutch			
57	Working pressure			bar
58	Noise Level		BITA RP 20	dB (A)
59	Stability Factor		Static	

Due to a "continuous improvement" policy the Company reserves the right to change published specifications without prior notice.

T H E T E C H N I C A L

SideLIFTS

FANTUZZI

SF 30U	SF 40U	SF 50U	SF 60U	SF 80	SF 100	SF 120	SF 150
3000	4000	5000	6000	8000	10000	12000	15000
600	600	600	600	700	700	700	700
Diesel	Diesel	Diesel	Diesel	Diesel	Diesel	Diesel	Diesel
Seated	Seated	Seated	Seated	Seated	Seated	Seated	Seated
L/L	L/L	L/L	L/L	L/L	L/L	L/L	L/L
2/2	2/2	2/2	2/2	2/2	2/2	2/2	2/2
4000	4000	4000	4000	4000	4000	4000	4000
800	800	1000	1000	1300	1300	1500	1500
-	-	-	-	-	-	-	-
3A	3A	4A	4A	4A	4A	4A	4A
45 x 130 x 1200	50 x 150 x 1200	50 x 200 x 1200	50 x 200 x 1200	65 x 200 x 1400	70 x 220 x 1400	80 x 220 x 1400	80 x 240 x 1400
1200	1200	1200	1200	1400	1600	1600	1600
400	400	400	400	400	500	500	500
4°/4°	4°/4°	4°/4°	4°/4°	4°/4°	4°/4°	4°/4°	4°/4°
4200	4200	4450	4450	4800	5500	6000	6000
2000	2000	2000	2000	2300	2500	2500	2500
3050	3150	3150	3210	3450	3600	3600	3600
5050	5150	5150	5210	5450	5600	5600	5600
1450	1450	1650	1650	1800	1800	2000	2000
2550	2550	2750	2750	3000	3000	3150	3150
800	800	1000	1000	1250	1300	1450	1450
1200	1200	1200	1200	1400	1400	1500	1500
1370	1370	1300	1300	1500	1500	1700	1700
1300/4200	1300/4200	1500/4400	1500/4400	1700/4650	2000/5200	2200/5800	2200/5800
100	100	100	100	120	120	150	150
4000	4000	3500	3500	4500	4500	5000	5000
2200	2200	2200	2200	2500	2400	3450	3450
22/24	22/24	26/28	26/28	26/28	26/28	25/28	25/28
0,25/0,30	0,25/0,30	0,30/0,35	0,30/0,35	0,30/0,35	0,30/0,35	0,30/0,35	0,30/0,35
0,35/0,30	0,35/0,30	0,35/0,30	0,35/0,30	0,35/0,30	0,35/0,30	0,35/0,30	0,35/0,30
0,30	0,30	0,30	0,30	0,30	0,30	0,30	0,30
-	-	-	-	-	-	-	-
2200	2200	3000	3000	4200	4200	11000	11000
-	-	-	-	-	-	-	-
20	20	22	22	24	20	25	25
-	-	-	-	-	-	-	-
5800	6000	7800	8200	12000	14500	18800	21000
4200/4600	4800/5200	5900/6900	6600/7600	9500/10500	11750/12750	14400/15400	17500/18500
2700/3100	2800/3200	3400/4400	3600/4600	5500/6500	6750/7750	8900/9900	10000/11000
2/2	2/2	2/2	2/2	2/2	2/2	2/2	2/2
27.10 - 12	27.10 - 12	8.25 - 15	300 - 15	12.00 - 20	12.00 - 24	14.00 - 24	14.00 - 24
27.10 - 12	27.10 - 12	8.25 - 15	300 - 15	12.00 - 20	12.00 - 24	14.00 - 24	14.00 - 24
10	10	10	10	10	10	10	10
8	8	8	8	8	8	8	8
2450	2450	2600	2600	3100	3500	3700	3700
1650	1650	1700	1700	1960	2160	2100	2100
200	200	250	250	250	250	350	350
-	-	-	-	-	-	-	-
-/Drum	-/Drum	Dry disc/Wet disc	Dry disc/Wet disc	Dry disc/Wet disc	Dry disc/Wet disc	Dry disc/Wet disc	Dry disc/Wet disc
Wet Disc	Wet Disc	Wet Disc	Wet Disc	Wet Disc	Wet Disc	Dry disc	Dry disc
12/120	12/120	12/150	12/150	12/150	24/150	24/150	24/150
PERKINS 804C - 33	PERKINS 804C - 33	PERKINS 1104C-E44	PERKINS 1104C-E44	PERKINS 1104C-E44T	PERKINS 1106C-E60TA	PERKINS 1106C-E60TA	PERKINS 1106C-E60TA
47/64	47/64	64/87	64/87	86/117	81/130 - 108/175	81/130 - 108/175	81/130 - 108/175
2500	3000	2500	2500	2500	2400	2500	2500
4/3300	4/3300	4/4400	4/4400	4/4400	6/6000	6/6000	6/6000
235	235	235	235	235	235	235	235
7	7	7	7	7	7	10	10
REX - ROTH	REX - ROTH	REX-ROTH	REX-ROTH	REX-ROTH	REX-ROTH	DANA - CLARK	DANA - CLARK
Hydrostatic	Hydrostatic	Hydrostatic	Hydrostatic	Hydrostatic	Hydrostatic	Hydrodynamic	Hydrodynamic
Automatic	Automatic	Automatic	Automatic	Automatic	Automatic	3/3	3/3
160	160	160	160	170	170	160	160
78/85	78/85	78/85	78/85	78/85	75/85	78/85	78/85
1,50	1,50	1,50	1,50	1,5	1,5	1,45	1,45

S P E C I F I C A T I O N S

SF30U SF40U SF50U SF60U SF80 SF100 SF120 SF150 DIESEL

THE TECHNICAL SPECIFICATIONS

The FANTUZZI SIDELIFT is the ideal machine for handling long loads such as timber packs, pipes, steel plate or similar items in lengthwise direction. The load is picked up literally and transported on the platform.

Thus it needs up to 40% less operating space which can be used as storing area.

CHASSIS

Strong, welded construction ensures an excellent stability during all loading.

ENGINES

All engines give good fuel economy, efficient combustion and low emissions during intensive use. LPG engines also available for their environmental and operating characteristics.

Electric sideloaders are powered by an efficient 80V system.

TRANSMISSIONS

Hydrostatic transmission up to 10 Tons capacity. Torque converter for higher capacities.

MAST ASSEMBLIES

As a standard FANTUZZI SIDELIFTS are equipped with duplex mast with free lift above the platform height.

Full-free-lifts or triplex configuration are also available.

CABIN

The cabin is designed according to the last ultimate ergonomical standards and provides optimal working conditions.

Overall (closed) heights of different masts (values in mm)

		MODEL					
		SF 30U SF 40U SF 30E SF 40E	SF 50U SF 50E	SF 60U SF 60E	SF 80	SF 100 S 120 S 150	
LIFTING HEIGHTS	MAST DUPLEX	4000	3050	3150	3210	3450	3650
		4500	3300	3400	3460	3700	3900
		5000	3550	3650	3710	3950	4150
		5500	3800	3900	3960	4200	4400
		6000	4050	4150	4210	4450	4650
	MAST TRIPLEX	4000	2380	2550	2550	2740	---
		5000	2710	2880	2880	3075	---
		6000	3050	3210	3210	3410	---

SPACE
VALUE

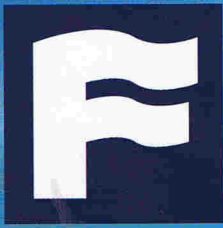
Capacity at different lift heights (Kg)

		LIFTING HEIGHTS				
		4000	4500	5000	5500	6000
MODEL	SF 30U SF 30E	3000	3000	2500	2000	1500
	SF 40U SF 40E	4000	4000	3500	3000	2500
	SF 50U SF 50E	5000	5000	4500	4000	3500
	SF 60U SF 60E	6000	6000	5500	5000	4500
	SF 80	8000	8000	7500	7000	6500
	SF 100	10000	10000	9500	9000	8000
	S 120	12000	12000	11500	11000	10000
	S 150	15000	15000	14000	13500	12500



The wind of innovation

SF-U



FANTUZZI
REGGIANE



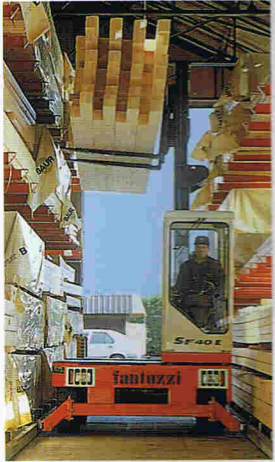
STUDIO BADDINI - CreatTeam®



fantuzzi

SideLIFTs

Wynmalen & Hausmann B.V.
Groen 2
6666 LP Heteren
Tel. +31 (0) 26-4790579
E-mail. info@wynmalenhausmann.nl



SPACE
VALUE



THE
DREAM
TEAM



The wind of innovation

The widest range of Port Equipment & Systems in the world