



**SF**

20L/25L/30L  
20D/25D/30D

**S E R I E S**

Engine Powered  
Pneumatic Tire  
Lift Trucks

2000/2500/3000 kg  
4000/5000/6000 lb  
Capacity



# SF 20 · 25 · 30 L/D 2000 to 3000kg (4000 to 6000lb)

## STANDARD SPECIFICATIONS

Characteristics			SAMSUNG		SAMSUNG		SAMSUNG				
			SF20L	SF20D	SF25L	SF25D	SF30L	SF30D			
1	Manufacturer										
2	Model										
3	Load Capacity		kg(lb)		2000(4000)		3000(6000)				
4	Load Center		mm (in)		500(20)		500(20)				
5	Power Type		LPG		DSL		LPG				
6	Operator Position		Rider seated		Rider seated		Rider seated				
7	Tire Type	Front/Rear	Pneumatic		Pneumatic		Pneumatic				
8	Wheels (x = driven)	Front/Rear	2x/2		2x/2		2x/2				
9	Maximum Fork Height (MFH)		mm (in)		3000 (118)		3000 (118)				
10	Free Lift		mm (in)		315(12.5)		315(12.5)				
13	Fork Size	T x W x L	mm (in)		45x100x1070(1.8x3.9x42)		45x125x1070(1.8x4.9x42)				
14	Tilt Range	FWD/BWD	deg		8/10		8/10				
15	Length to Fork Face		mm (in)		2545(100)		2580(102)				
16	Overall Width		mm (in)		1210(48)		1240(49)				
17	Height	Mast Lowered	mm (in)		2130(84)		2130(84)				
18		Mast Extended	mm (in)		4220(166)		4220(166)				
19		Overhead Guard	mm (in)		2130 (84)		2130 (84)				
21	Turning Radius (Outside)		mm (in)		2350(93)		2390(94)				
22	Load Distance (Centerline of front axle to front face of forks)		mm (in)		450(18)		450(18)				
23	Basic Right Angle Stracking Aisle Width (Add load length and clearance)		mm (in)		2800(111)		2840(112)				
Performance	24	Travel Max. (FWD/RVS)	With Load	km/h (mph)	17.6/17.6(10.9/10.9)	18.8/18.8(11.7/11.7)	17.6/17.6(10.9/10.9)	18.5/18.5(11.5/11.5)	18.0/18.0(11.2/11.2)	19.2/19.2(11.9/11.9)	
			Without Load	km/h (mph)	18.6/18.6(11.6/11.6)	20.0/20.0(12.4/12.4)	18.6/18.6(11.6/11.6)	20.0/20.0(12.4/12.4)	19.0/19.0(11.8/11.8)	20.5/20.5(12.7/12.7)	
	25	Speed	Lifting	With Load	mm/sec (fpm)	500(98)	540(106)	500(98)	520(102)	460(90)	500(98)
				Without load	mm/sec (fpm)	540(106)	580(114)	540(106)	580(114)	540(106)	580(114)
	26		Lowering	With Load	mm/sec (fpm)	510(100)	510(100)	510(100)	510(100)	510(100)	510(100)
				Without load	mm/sec (fpm)	510(100)	510(100)	510(100)	510(100)	510(100)	510(100)
28	Max. Drawbar Pull	With Load	kg (lb)	1360(3000)	1680(3700)	1370(3020)	1680(3700)	1290(2840)	1590(3510)		
		Without load	kg (lb)	800(1760)	820(1810)	770(1700)	780(1720)	780(1720)	820(1810)		
30	Max. Gradeability	With Load	%	23.1	31.3	21.8	26.6	18.3	22.4		
		Without load	%	21.9	22.2	20.0	20.2	18.6	19.3		
Weight	32 Total Weight		kg (lb)	3490(7690)	3550(7830)	3720(8200)	3780(8330)	4160(9170)	4200(9260)		
	33	Weight	With Load	Front	kg (lb)	4730(10070)	4850(10340)	5520(11710)	5580(11840)	6280(13310)	
			Rear	kg (lb)	760(1620)	700(1490)	700(1490)	700(1490)	880(1860)	850(1800)	
	34	Distribution	Without Load	Front	kg (lb)	1630(3590)	1670(3660)	1580(3480)	1620(3570)	1610(3550)	
Rear			kg (lb)	1860(4100)	1880(4150)	2140(4720)	2160(4760)	2550(5620)	2520(5560)		
Chassis	35	Tires	Number	Front/Rear	2/2		2/2		2/2		
			Size	Front	7.00x12-14PR		7.00x12-14PR		28x9x15-14PR		
			Rear	6.50x10-10PR		6.50x10-10PR		6.50x10-10PR			
	38	Wheel Base	mm (in)	1620(64)		1620(64)		1700(67)			
	39	Tread	Front	mm (in)	1005(40)		1005(40)		1030(41)		
			Rear	mm (in)	940(37)		940(37)		940(37)		
	40	Underclearance	at lowest point (Mast)	mm (in)	125(4.9)		125(4.9)		125(4.9)		
	41		Center of Wheel Base	mm (in)	205(8)		205(8)		205(8)		
42	Brake	Service (Foot)	Hydraulic		Hydraulic		Hydraulic				
		Parking	Hand		Hand		Hand				
43			Hand		Hand		Hand				
Engine and Transmission	45	Battery	Voltage/Capacity(5HR)	V/AH	12/55	12/100	12/55	12/100	12/55	12/100	
	49		Make/Model		Mitsubishi 4G64	* SHI AL30	Mitsubishi 4G64	* SHI AL30	Mitsubishi 4G64	* SHI AL30	
	50	Internal Combustion Engine	Rated Horsepower / r.p.m.	SAE HP (KS PS)	41.5/2100 Net (42/2100)	58/2400 Net (58.5/2400)	41.5/2100 Net (42/2100)	58/2400 Net (58.5/2400)	41.5/2100 Net (42/2100)	58/2400 Net (58.5/2400)	
			Rated Torque / r.p.m.	SAE ft-lb (kg-m)	102/1800 Net (14.1/1800)	136/1800 Net (18.8/1800)	102/1800 Net (14.1/1800)	136/1800 Net (18.8/1800)	102/1800 Net (14.1/1800)	136/1800 Net (18.8/1800)	
	52		Number of Cylinder		4		4		4		
			Piston Displacement	cc (cc-in)	2350(143)	2953(180)	2350(143)	2953(180)	2350(143)	2953(180)	
			Fuel Tank Capacity	kg/lb	15(33)		15(33)		15(33)		
			liter (US/UK gal)		52(14/11.4)		52(14/11.4)		52(14/11.4)		
55	Transmission	Type	Powershift		Powershift		Powershift				
		Stage	FWD/RVS	1/1		1/1		1/1			
57	Operating Pressure	For Attachments	kg/cm <sup>2</sup> (psi)	176(2500)		176(2500)		176(2500)			

Materials and specifications are subject to change without notice  
Remark \* Nissan BD30 assembled by SHI

### STANDARD EQUIPMENT

- Wide Visible Mast (MFH:3000mm(118 in))
- Halogen head and rear lights
- Rear combination lights
- Headlight guards
- Back-up alarm
- Integrated monitoring center
- Tilttable steering column
- Long life tires
- Parking brake
- Overhead guard
- Anti-ignition key switch
- Alternator with IC regulator
- Neutral safety switch,
- Power steering
- Power brake
- Drawbar pin
- Tool set
- Back mirrors

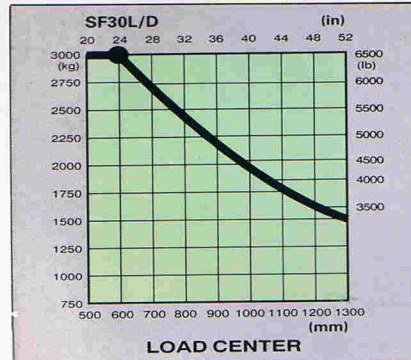
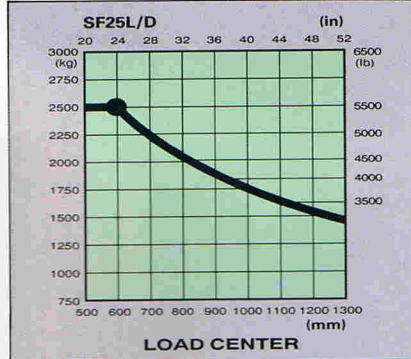
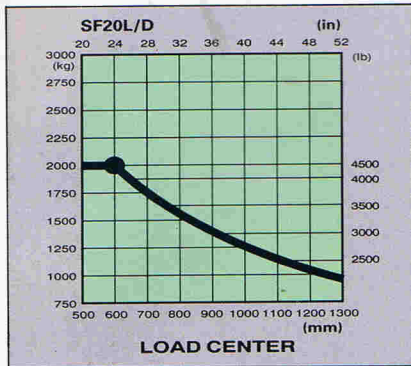
### OPTIONAL EQUIPMENT

- Solid Tires
- Long and short forks
- Suspension seat
- Cabin

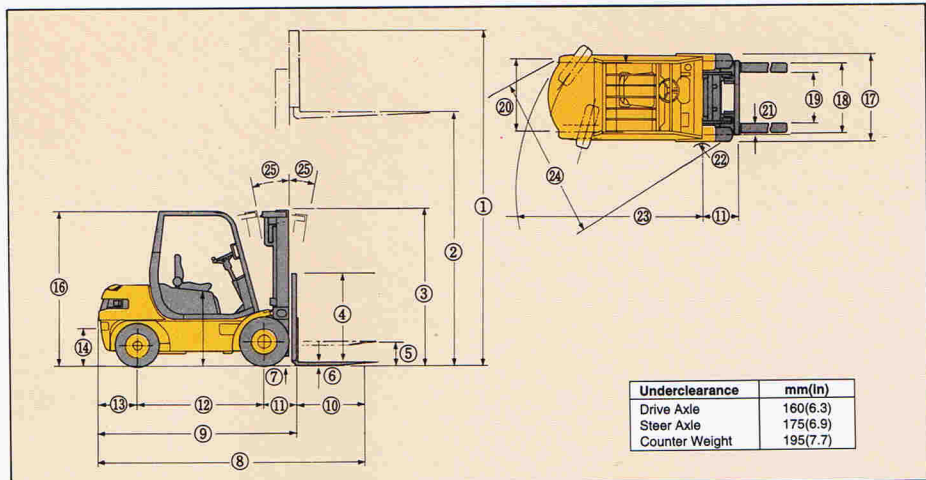
Note : Standard and optional equipment may vary. Consult your SHI dealer for more information



## LOAD CAPACITY CHART



## STANDARD DIMENSIONS



Model	SF20L/D	SF25L/D	SF30L/D
	mm(in)	mm(in)	mm(in)
1 Overall height, fork raised (with backrest)	4220(166)	4220(166)	4220(166)
2 Max. fork height	3000(118)	3000(118)	3000(118)
3 Overall height, Fork lowered (upright)	2130(84)	2130(84)	2130(84)
4 Backrest height (from upper face of forks)	1220(48)	1220(48)	1220(48)
5 Free lift	315(12.5)	315(12.5)	315(12.5)
6 Fork thickness	45(1.8)	45(1.8)	45(1.8)
7 Min. underclearance (bottom of mast)	125(4.9)	125(4.9)	125(4.9)
8 Overall length (with fork)	3615(142)	3650(144)	3755(148)
9 Length to fork face	2545(100)	2580(102)	2685(106)
10 Fork length	1070(42)	1070(42)	1070(42)
11 Fork overhang	450(18)	450(18)	450(18)
12 Wheel base	1620(64)	1620(64)	1700(67)
13 Rear overhang	475(18)	510(18)	535(21)
14 Coupler height	400(15.7)	400(15.7)	400(15.7)
15 Overhead guard clearance (from face of seat)	1010(40)	1010(40)	1010(40)
16 Overall height (overhead guard)	2130(84)	2130(84)	2130(84)
17 Overall width	1210(48)	1210(48)	1240(49)
18 Lateral fork adjustment (outside of fork)	200-1040(7.9-41)	200-1040(7.9-41)	250-1040(9.8-41)
19 Tread (front)	1005(40)	1005(40)	1030(41)
20 Tread (rear)	940(37)	940(37)	940(37)
21 Fork width	100(3.9)	100(3.9)	125(4.9)
22 Inside turning radius	205(8)	205(8)	205(8)
23 Outside turning radius	2350(93)	2390(94)	2500(98)
24 Min. intersecting aisle	2050(81)	2060(81)*	2110(83)
25 Tilting angles (forward-backward)	8°-10°	8°-10°	8°-10°

Rated capacities are computed from front face of forks with mast in vertical position and apply to Wide Visible Masts with up to 3500mm(138in) max. fork height.

## MAST SPECIFICATIONS & RATED CAPACITIES

Mast Type	Maximum Fork Height	Overall Height		Free Lift	Tilt Range		Load Capacity at 500m (20in) LC		
		Lowered	Extended		FWD	BWD	SF20L/SF20D	SF25L/SF25D	SF30L/SF30D
Wide Visible 2 Stage Mast	2000 (79)	1630 (64)	3220(127)	315 (12.5)	8	10	2000 (4000)	2500 (5000)	3000 (6000)
	2300 (91)	1780(70)	3520(139)	315(12.5)	8	10	2000 (4000)	2500(5000)	3000 (6000)
	2500 (98)	1880 (74)	3720 (146)	315(12.5)	8	10	2000 (4000)	2500(5000)	3000 (6000)
	2700 (106)	1980 (78)	3920 (154)	315(12.5)	8	10	2000 (4000)	2500(5000)	3000 (6000)
	3000 (118)	2130 (84)	4220 (166)	315(12.5)	8	10	2000 (4000)	2500(5000)	3000 (6000)
	3300 (130)	2280 (90)	4520 (178)	315(12.5)	8	10	2000 (4000)	2500(5000)	3000 (6000)
	3500 (138)	2380 (94)	4720 (186)	315(12.5)	8	10	2000 (4000)	2500(5000)	3000 (6000)
	3700 (145)	2480 (98)	4920 (193)	315(12.5)	8	10	1900 (3900)	2400(4900)	2900 (5900)
	4000 (157)	2630 (104)	5220 (205)	315(12.5)	4	6	1800 (3700)	2300(4700)	2800 (5700)
4500 (177)	3100 (122)	5720 (225)	315(12.5)	4	6	1500 (3000)	2000(4000)	2500 (5000)	
5000 (197)	3350 (132)	6220 (245)	315(12.5)	4	6	1400 (2900)	1900(3900)	2000 (4000)	
Wide Visible 3 Stage Mast	3700 (145)	1870 (74)	4920 (193)	1320 (52)	8	10	1900 (3900)	2400 (4900)	2900 (5900)
	4000 (157)	1970 (78)	5220 (205)	1420 (56)	4	6	1800 (3700)	2300 (4700)	2800 (5700)
	4300 (169)	2070 (81)	5520 (217)	1520 (60)	4	6	1700 (3500)	2200 (4500)	2700 (5500)
	4500 (177)	2130 (84)	5720 (225)	1585 (62)	4	6	1500 (3000)	2000 (4000)	2500 (5000)
	5000(197)	2300 (91)	6220 (245)	1750 (69)	4	6	1400 (2900)	1900 (3900)	2000 (4000)
	5500 (217)	2510 (99)	6720 (265)	1980 (78)	4	6	1000 (2000)	1300 (2600)	1500 (3000)
	6000 (236)	2750 (108)	7220 (284)	2230 (88)	0	3	900 (1900)	1200 (2500)	1400 (2900)
	6500 (256)	2920 (115)	7720 (304)	2400 (94)	0	3	800 (1700)	900 (1900)	1300 (2600)
7000 (276)	3160 (124)	8220 (324)	2645 (104)	0	3	700 (1600)	800 (1700)	1000 (2000)	

Note : Height of standard load backrest is 1220mm(48in)



**SAMSUNG**

**HEAVY INDUSTRIES**

**SAM** **NED**

intern transport b v

**GELEEN:** Heiweg 16 - 6161 DA Geleen  
Telefoon 046-747222 Telefax 741092