



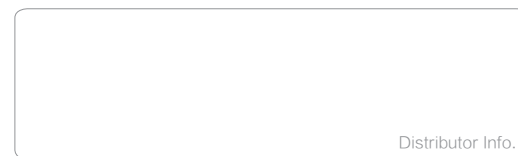
SANY PAVER



SANY HEAVY INDUSTRY CO., LTD.

SANY Industry Town, Changsha Economic and Technological
Development Zone, Hunan Province, China
Service Line: +86 4006 098 318
E-mail: crd@sany.com.cn

www.sanygroup.com



Distributor Info.

Due to our process of continuous innovation, materials and specifications are subject to change without notice.

© Printed in China File No.: 59010962 Date: Apr. 2019

SANY PAVER
QUALITY CHANGES THE WORLD

Contents

NO.1 BRAND IN CHINA WORLD CLASS QUALITY

Sany won the "Number One Brand of Paver in China" award in 2011.
Sany paver sales have been ranked number one in China for the last 5 consecutive years.

- P05 SSP SERIES ASPHALT
PAVER
- P09 SAP SERIES ASPHALT
PAVER
- P15 LEAN
MANUFACTURING
- P17 TEST SYSTEM



SANY SSP STABILIZED SOIL PAVER

No.1 brand in China, specially designed for heavy thickness stabilized layer pavement.

POWERFUL POWER PLANT

- ◆ 180 kW engine satisfies demanding power requirements.

EFFICIENCY

- ◆ Paving capability of over 900 tons per hour
- ◆ Capable of paving a mat up to 50 cm thick! The highest in the industry.
- ◆ 2 persons can assemble the 9.5m bolt-on screed in 2 hours.

ECONOMICAL

- ◆ Conveyor is made of thickened, wear resistant steel plate with a service life in excess of 2000 hours.
- ◆ Designed to endure non-stop paving operations in 50 degree Celsius temperatures.

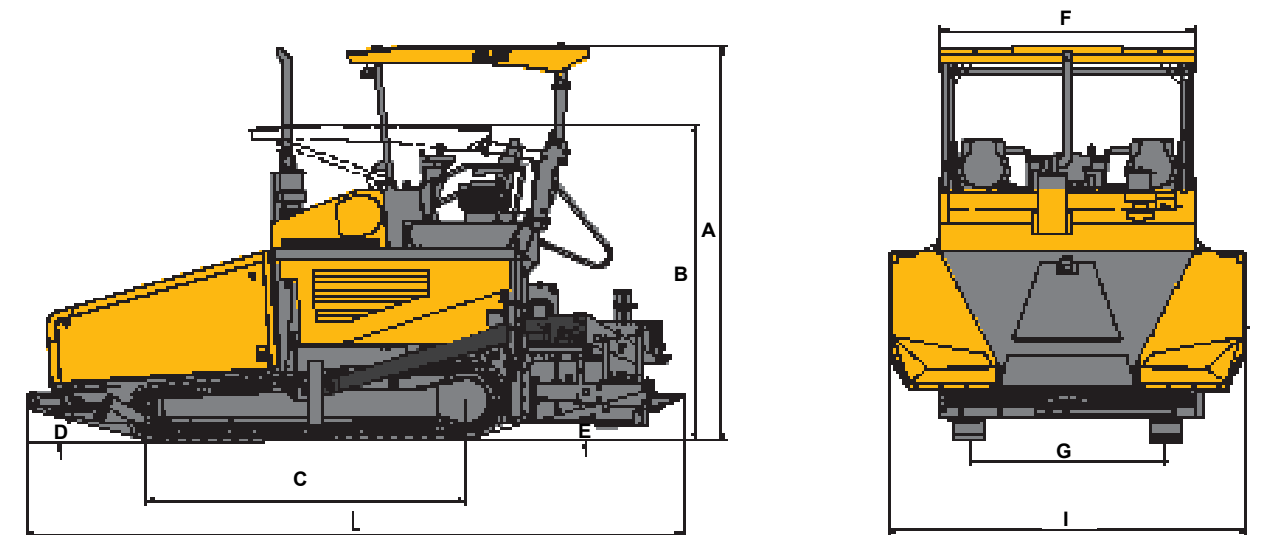


TECHNICAL SPECIFICATIONS

SSP Series Asphalt Paver Technical Specification

Model	SSP80C-8 (Fixed-Width Screed)	SSP80C-8 (Extending Screed)	SSP90C-8	SSP100C-8	SSP125C-8
Paving Capacity	800 t/h	800 t/h	900 t/h	900 t/h	1100 t/h
Paving Width	Bolted extendable : 8 m	Hydraulic extendable: 7.7/8.2 m	Hydraulic extendable: 9.2 m	Bolted extendable: 10 m	Bolted extendable: 13 m
Basic Width	Bolted extendable: 2.5 m	Hydraulic extendable: 2.5~4.7/3~5.7 m	Hydraulic extendable: 3 ~ 5.7 m	Bolted extendable: 2.5 m	Bolted extendable: 2.5 m
Max. Paving Thickness	50 cm	35 cm	50 cm	50 cm	55 cm
Working Speed	1 ~ 23 m/min	1 ~ 23 m/min	1 ~ 16 m/min	1 ~ 16 m/min	1 ~ 16 m/min
Travel Speed	0 ~ 2.5 km/h	0 ~ 2.5 km/h	0 ~ 2.4 km/h	0 ~ 2.4 km/h	0 ~ 2.6 km/h
Transport Dimensions	6790 x 2960 x 3308 mm	7250 x 2960 x 3308 mm	7250 x 3210 x 3280 mm	6790 x 2960 x 3280 mm	6790 x 2960 x 3280 mm
Engine Model	SANY	SANY	SANY	SANY	SANY
	D05S3-211E0	D05S3-211E0	D07S3-231E0	D07S3-231E0	D07S3-245E0
Rated Power of Engine	155 kW	155 kW	170 kW	170 kW	180 kW
Rated Speed of Engine	2050 rpm	2050 rpm	2050 rpm	2050 rpm	2050 rpm
Emission	China III	China III	China III	China III	China III
Voltage of Electric System	24 V	24 V	24 V	24 V	24 V
Gradeability	≥ 20%	≥ 20%	≥ 20%	≥ 20%	≥ 20%
Hopper Capacity	8.5 m³	8.5 m³	8.5 m³	8.5 m³	8.5 m³
Vibration Frequency	0 ~ 50 Hz (optional)	0 ~ 50 Hz (optional)	0 ~ 50 Hz	0 ~ 50 Hz (optional)	0 ~ 50 Hz
Heating Mode	Gas Heated	Electric Heated	Electric Heated	Gas Heated	Gas Heated
Camber Adjustment Range	-1 ~ 3 %	-1 ~ 3 %	-1 ~ 3 %	-1 ~ 3 %	-1 ~ 3 %
Quantity of Tamper	2	1	1	2	2
Tamping Amplitude	Main vibrating: 3 / 5 / 8 / 10 mm Auxiliary vibrating: 5 mm	0 / 2 / 4 / 6 / 8 mm	0 / 2 / 4 / 6 / 8 mm	Main vibrating: 3 / 5 / 8 / 10 mm Auxiliary vibrating: 5 mm	Main vibrating: 3 / 5 / 8 / 10 mm Auxiliary vibrating: 5 mm
Tamping Frequency	0 ~ 25 Hz	0 ~ 25 Hz	0 ~ 25 Hz	0 ~ 25 Hz	0 ~ 25 Hz

Size Code	SSP80C-8	SSP80C-8	SSP90C-8	SSP100C-8	SSP125C-8
A (mm)	4022	4022	4022	4022	4022
B (mm)	3308	3308	3308	3308	3230
C (mm)	3278	3278	3278	3278	3278
D (°)	14	14	14	14	14
E (°)	12.5	12.5	12.5	12.5	12.5
F (mm)	2600	2600	2600	2600	2600
G (mm)	2040	2040	2040	2040	2040
I (mm)	3660	3660	3660	3660	3660
L(mm)	6717	7197	7197	6717	6717



SANY SAP SERIES ASPHALT PAVER



EXCELLENT PAVING PERFORMANCE

- ◆ High strength screed— the strongest, most rigid design in the industry. Uses a frame structure with double layer anti-twist beams to produce consistently stable work.
- ◆ Anti-segregation technology used in all aspects of material handling. Fully proportional, independent conveyor and auger controls match device speeds to paving speed - fully and independently adjustable for various material types.
- ◆ To provide the ultimate in product support, machine controllers can be remotely monitored and even updated!

STABLE AND RELIABLE

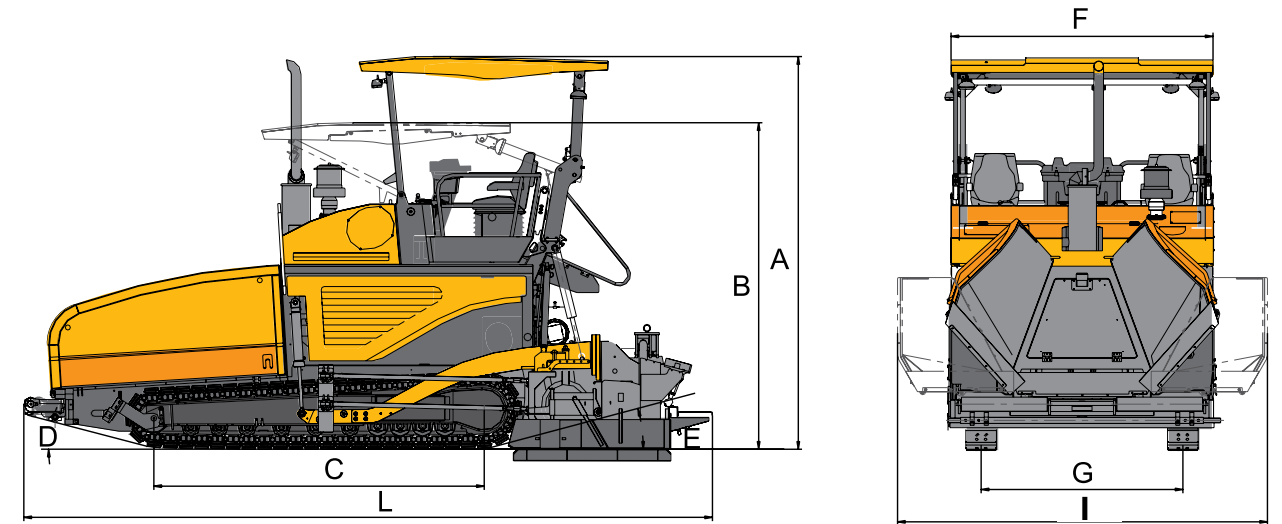
- ◆ Wiring harnesses built to industry standards to provide solid connections and protection against heat, cold and moisture.
- ◆ The machine and it's systems are designed to work non-stop, 24 hours a day under full load in a 50 degree Celsius environment.

TECHNICAL SPECIFICATIONS

SAP Series Asphalt Paver Technical Specification

Model	SAP45C-8WEV	SAP45C-8WE	SAP45TC-8WE	SAP45TC-8WE2
Paving Capacity	320 t/h	320 t/h	250 t/h	250 t/h
Paving Width	Hydraulic extendable: 4.5 m	Hydraulic extendable: 4.5 m	Hydraulic extendable: 4.5 m	Hydraulic extendable: 4.5 m
Basic Width	Hydraulic extendable: 1.7 ~ 3.1 m	Hydraulic extendable: 1.8 ~ 4.5 m	Hydraulic extendable: 1.8 ~ 4.5 m	Hydraulic extendable: 1.7 ~ 3.1 m
Max. Paving Thickness	25 cm	25 cm	25 cm	25 cm
Working Speed	1.5 ~ 20 m/min	1.5 ~ 20 m/min	1.5 ~ 25 m/min	1.5 ~ 25 m/min
Travel Speed	0 ~ 2.2 km/h	0 ~ 2.2 km/h	0 ~ 20 km/h	0 ~ 20 km/h
Transport Dimensions	6420 x 2100 x 3160 mm	6620 x 2100 x 3160 mm	6620 x 2100 x 3030 mm	6620 x 2100 x 3030 mm
Engine Model	WEICHAI	WEICHAI	WEICHAI	WEICHAI
	WP4G125	WP4G125	WP4G125	WP4G125
Rated Power of Engine	92 kW	92 kW	92 kW	92 kW
Rated Speed of Engine	1800 rpm	1800 rpm	1900 rpm	1900 rpm
Emission	China III	China III	China III	China III
Voltage of Electric System	24 V	24 V	24 V	24 V
Gradeability	≥ 20%	≥ 20%	≥ 20%	≥ 20%
Hopper Capacity	6 m ³	6 m ³	6 m ³	6 m ³
Heating Mode	Electric Heated	Electric Heated	Electric Heated	Electric Heated
Camber Adjustment Range	-1 ~ 3 %	0 ~ 1.5 %	0 ~ 1.5 %	0 ~ 3 %
Quantity of Tamper	1	1	1	1
Amplitude of Tamp	4 mm	4 mm	4 mm	4 mm
Frequency of Tamp	0 ~ 25 Hz	0 ~ 25 Hz	0 ~ 25 Hz	0 ~ 25 Hz
Frequency of Oscillation	0 ~ 20 Hz	/	/	/

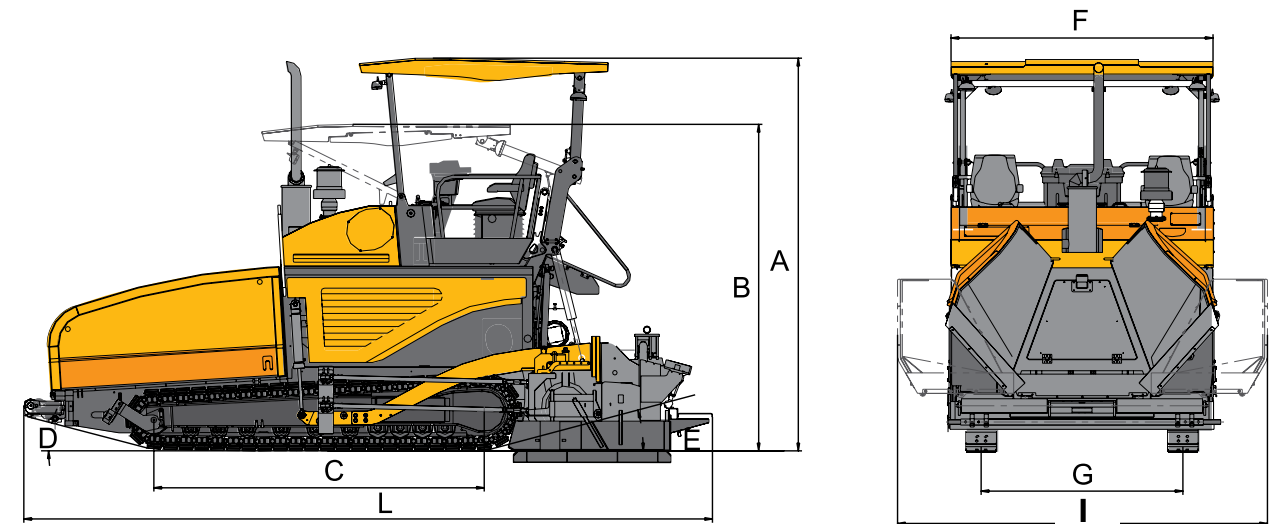
Size Code	SAP45C-8WEV	SAP45C-8WE	SAP45TC-8WE	SAP45TC-8WE2
A(mm)	3710	3710	3767	3767
B(mm)	3154	3154	3023	3023
C(mm)	2804	2804	2787	2787
D (°)	15	15	22	22
E (°)	17	17	12	12
F(mm)	1960	1960	2056	2056
G(mm)	1302	1302	1422	1422
I(mm)	3210	3210	3047	3047
L(mm)	6583	6583	6618	6618



SAP Series Asphalt Paver Technical Specification

Model	SAP60C-8	SAP90C-8	SAP100C-8	SAP120C-8
Paving Capacity	450 t/h	900 t/h	900 t/h	1100 t/h
Paving Width	Hydraulic extendable: 6 m	Hydraulic extendable: 9.2 m	Bolted extendable: 10 m	Fixed-width: 12 m
Basic Width	Hydraulic extendable: 2 ~ 3.7 m	Hydraulic extendable: 3 ~ 5.7 m	Bolted extendable: 2.5 m	Fixed-width: 2.5 m
Max. Paving Thickness	25 cm	35 cm	35 cm	35 cm
Working Speed	1.5 ~ 20 m/min	1 ~ 16 m/min	1 ~ 16 m/min	1 ~ 16 m/min
Travel Speed	0 ~ 2.5 km/h	0 ~ 2.4 km/h	0 ~ 2.4 km/h	0 ~ 2.8 km/h
Transport Dimensions	6320 x 2100 x 3060 mm	7250 x 3210 x 3280 mm	6790 x 2960 x 3280 mm	6790 x 2960 x 3280 mm
Engine Model	DONGFENG CUMMINS	SANY	SANY	SANY
	QSB4.5-C130-30	D07S3-231E0	D07S3-231E0	D07S3-231E0
Rated Power of Engine	97 kW	170 kW	170 kW	170 kW
Rated Speed of Engine	2000 rpm	2050 rpm	2050rpm	1900rpm
Emission	China III	China III	China III	China III
Voltage of Electric System	24 V	24 V	24 V	24 V
Gradeability	≥ 20%	≥ 20%	≥ 20%	≥ 20%
Hopper Capacity	6 m³	8.5 m³	8.5 m³	8.5 m³
Vibration Frequency	0 ~ 40 Hz	0 ~ 50 Hz	0 ~ 50 Hz	0 ~ 50 Hz
Heating Mode	Electric Heated	Electric Heated	Electric Heated	Electric Heated
Camber Adjustment Range	-1 ~ 3 %	-1 ~ 3 %	-1 ~ 3 %	-1 ~ 3 %
Quantity of Tamper	1	1	1	1
Amplitude of Tamp	2 mm	0 / 2 / 4 / 6 / 8 mm	3 / 5 / 8 / 10 mm	3 / 5 / 8 / 10 mm
Frequency of Tamp	0 ~ 25 Hz	0 ~ 25 Hz	0 ~ 25 Hz	0 ~ 25 Hz

Size Code	SAP60C-8	SAP90C-8	SAP100C-8	SAP120C-8
A(mm)	3750	3880	3880	3857
B(mm)	3060	3280	3280	3260
C(mm)	2566	3278	3278	3278
D (°)	11	15	15	15
E (°)	14	12.5	12.5	12.5
F(mm)	2056	2600	2600	2600
G(mm)	1504	2022	2022	2022
I(mm)	3246	3667	3667	3667
L(mm)	6320	7250	6790	6650



LEAN MANUFACTURING

Sany employees constantly strive for perfection and to constantly set the standards for Chinese manufacturing. These efforts are behind all of our "Number One" achievements in product performance and manufacturing excellence.



Imported Machining Production Line



Flexible line of imported horizontal machining center



Professional Inventory Management and Damage-Prevention Measures



PM030014 ● World's Biggest Vehicle Assembly Line



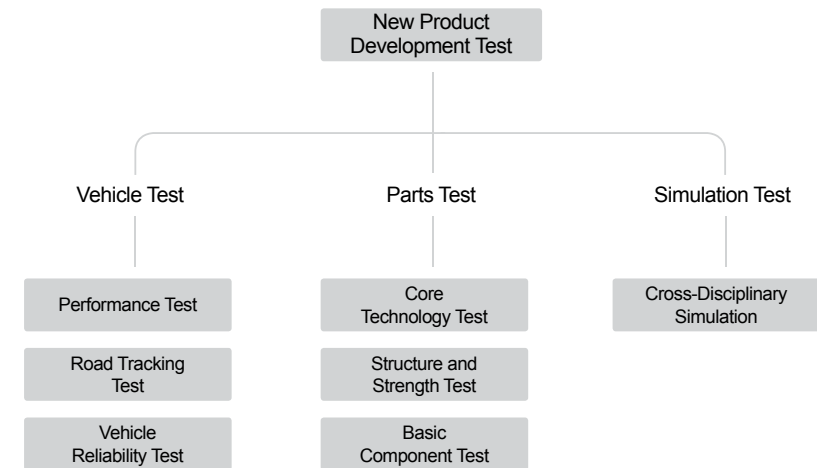
Sany's Digitalized Asphalt Batching Plant Base in Changde City



Dust-free Constant Temperature Precision Transmission Workshop

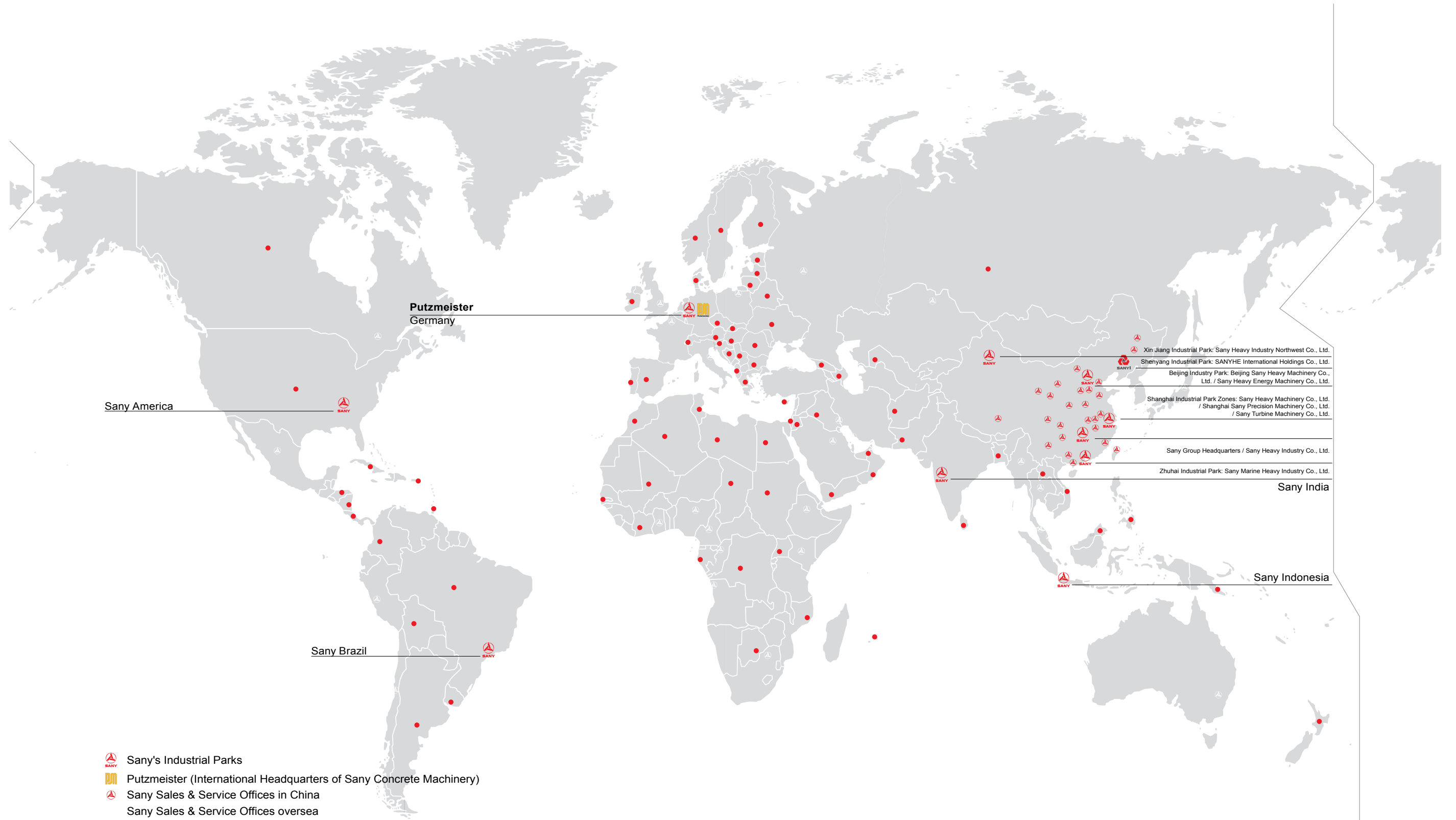
The company has achieved complete flow-line manufacturing of road machinery through elaborate design, optimized layout and controlled quality. Our continuous technical innovation process evaluates new technologies, new materials such as information oriented production management, fully automated robotic welding, AGV's and automated high-rise warehouses. The company implements rigorous quality control to ensure that each product is free of defects and performs flawlessly from the day it is delivered, well into complex, adverse working conditions.

TEST SYSTEM



R&D and Test System

To build the leading road machinery R&D platform in the world, Sany Road Machinery has at its disposal 9 testing and checking centers and 58 labs to form a cross-disciplinary and cross-sector product development work flow. The 9 testing and checking centers include: the Construction Machinery Remote Monitoring Service and Fault-Diagnosis Lab, the Hydraulics Lab, the Mechanical-Electrical-Hydraulic and Simulation Lab, the Diesel Engine Lab, the Equipment Fatigue (Working Life) Lab, the Welding Lab, the Strength (Stress) Test Lab, the Wear Resistant Material Test Lab, and the Chassis Auto Check Lab. Through working on the testing process, new product development test, customer experience platform, and the work conditions simulation data base, we have put in place a three stage testing system comprising vehicle test, parts and components test, and simulation test. Our system has the capacity to develop asphalt batching plants, asphalt pavers, motor graders, rollers, and cold planers. The research and testing capacity of our core technologies has significantly enhanced our research abilities.



- Sany's Industrial Parks
- Putzmeister (International Headquarters of Sany Concrete Machinery)
- Sany Sales & Service Offices in China
- Sany Sales & Service Offices oversea
- Sany Global Coverage