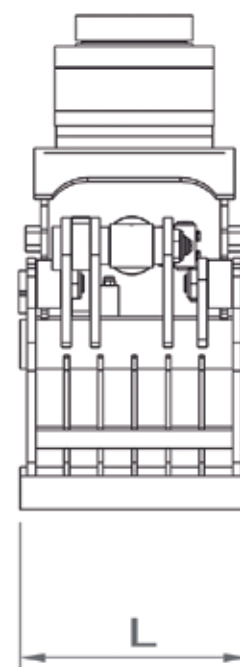
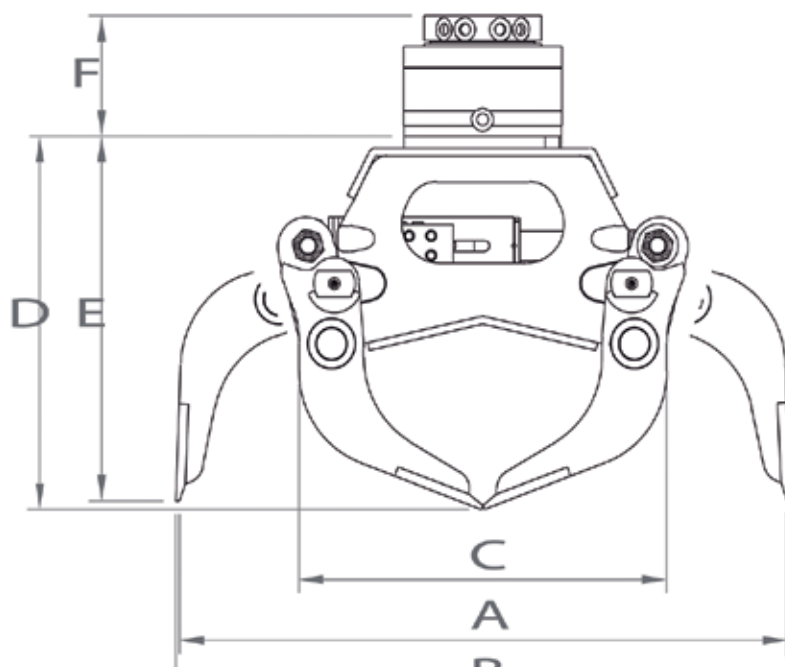




We Build Solutions

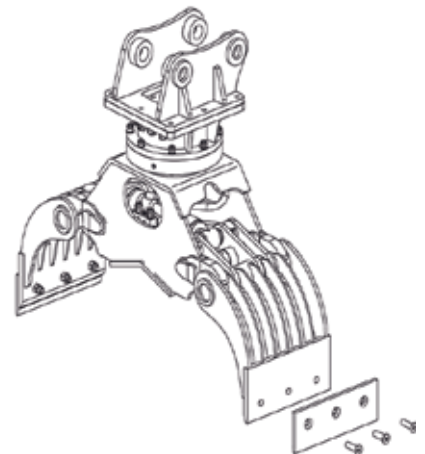
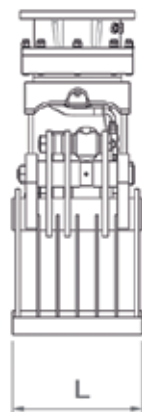
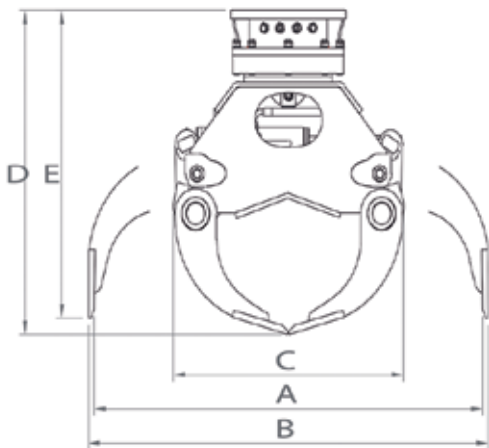
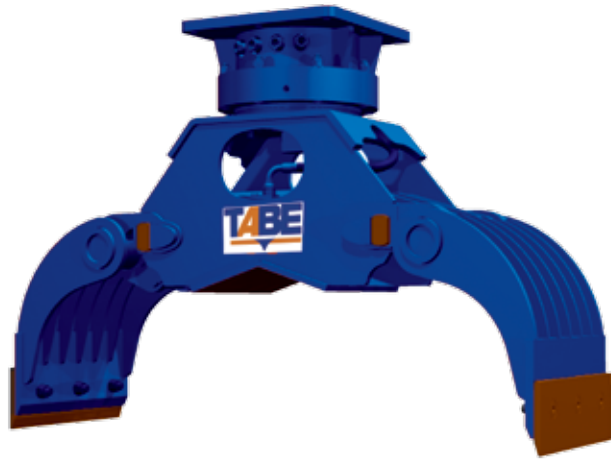


PT 100
PT 195
PT 200



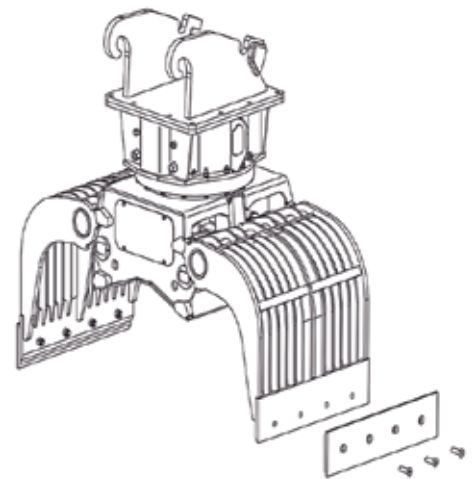
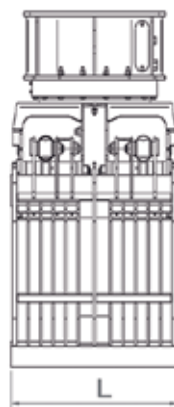
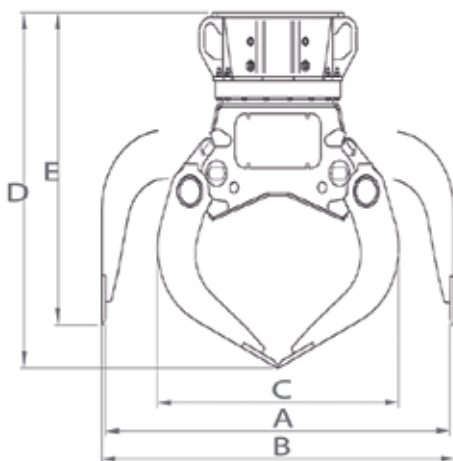
| Model | A | B | C | D | E | L | F | Force at blade |
|--------|-----|------|-----|-----|-----|-----|-----------|----------------|
| | mm | mm | mm | mm | mm | mm | mm | kg |
| PT 100 | 675 | 700 | 490 | 380 | 360 | 300 | 270 | 1150 |
| PT 195 | 970 | 1000 | 670 | 600 | 580 | 370 | integrado | 2320 |
| PT 200 | 970 | 1000 | 670 | 600 | 580 | 370 | integrado | 2320 |

PT 300
PT 400
PT 450



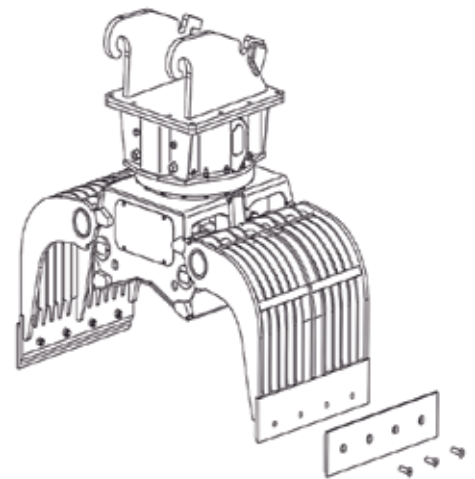
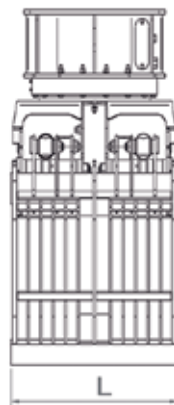
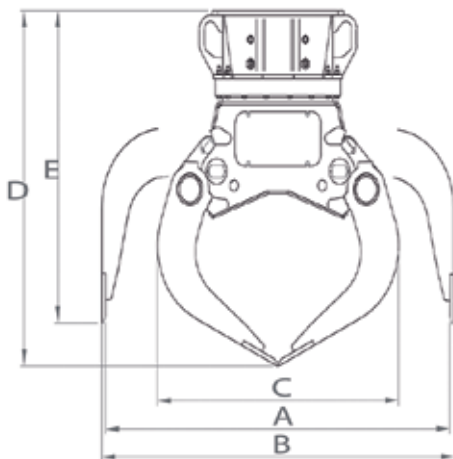
| Model | A | B | C | D | E | L | Capacity | Force at blade |
|--------|------|------|------|------|-----|-----|-----------------|----------------|
| | mm | mm | mm | mm | mm | mm | dm ³ | kg |
| PT 300 | 1350 | 1400 | 800 | 950 | 900 | 450 | 100 | 2500 |
| PT 400 | 1800 | 1840 | 1110 | 1180 | 960 | 600 | 220 | 3300 |
| PT 450 | 1800 | 1840 | 1110 | 1180 | 960 | 700 | 260 | 3300 |

PT 500
PT 600
PT 700
PT 800

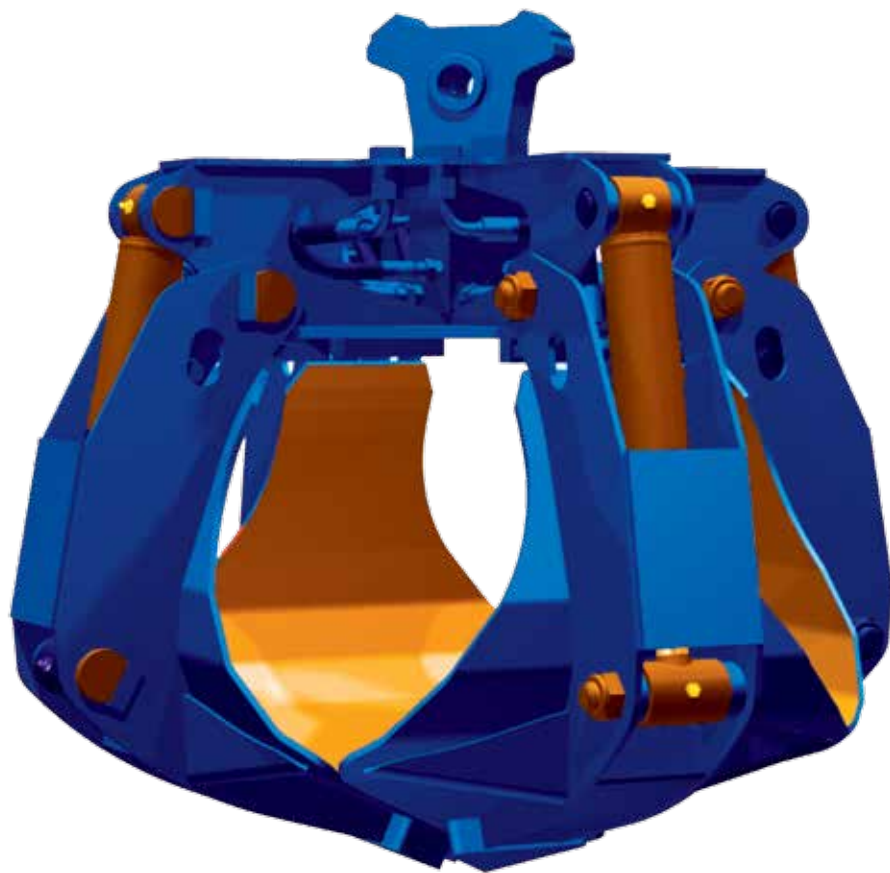


| Model | A | B | C | D | E | L | Capacity | Force at blade |
|--------|------|------|------|------|------|------|-----------------|----------------|
| | mm | mm | mm | mm | mm | mm | dm ³ | kg |
| PT 500 | 1760 | 1800 | 1230 | 1400 | 1230 | 850 | 500 | 4100 |
| PT 600 | 1760 | 1800 | 1230 | 1400 | 1230 | 1000 | 600 | 4100 |
| PT 700 | 1960 | 2000 | 1350 | 1555 | 1375 | 1000 | 700 | 4830 |
| PT 800 | 2000 | 2060 | 1360 | 1620 | 1440 | 1000 | 800 | 5600 |

PT 1000
PT 1150
PT 1300

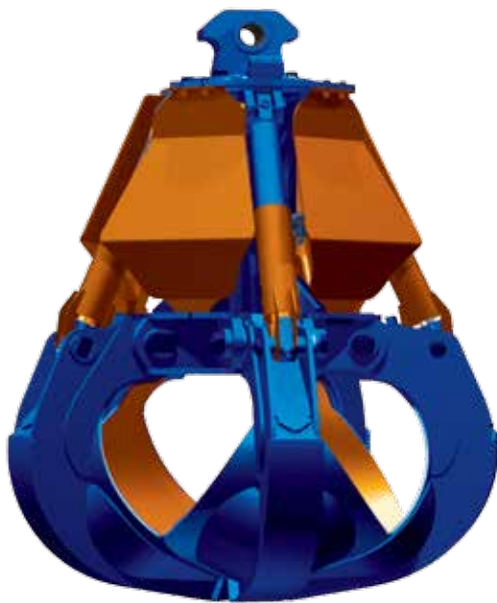


| Model | A | B | C | D | E | L | Capacity | Force at blade |
|---------|------|------|------|------|------|------|-----------------|----------------|
| | mm | mm | mm | mm | mm | mm | dm ³ | kg |
| PT 1000 | 2200 | 2280 | 1490 | 1740 | 1490 | 1000 | 1000 | 5050 |
| PT 1150 | 2200 | 2280 | 1490 | 1740 | 1490 | 1150 | 1150 | 5050 |
| PT 1300 | 2200 | 2280 | 1490 | 1740 | 1490 | 1300 | 1300 | 5050 |



Polyp Grabs

TABE makes a range of Polyp Grabas with several different models. Equipped with the best protection of the rotation and operating mechanisms on the market, this is a suitable tool for Recycling.



Advantages of Polyp Grabas

- ✓ Compact Design.
- ✓ Manufactured on high hardness steel.
- ✓ Very robust and reliable..
- ✓ Take advantage of the services TABE provides.



Moving Materials

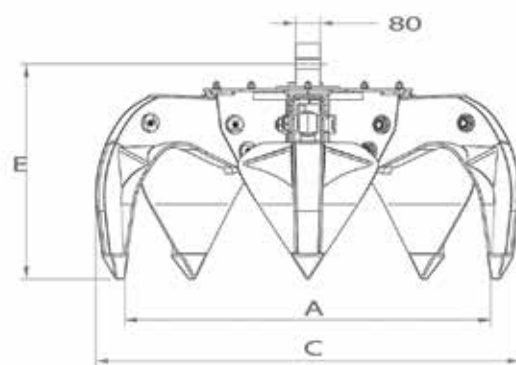
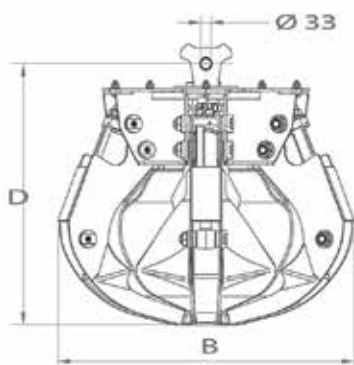
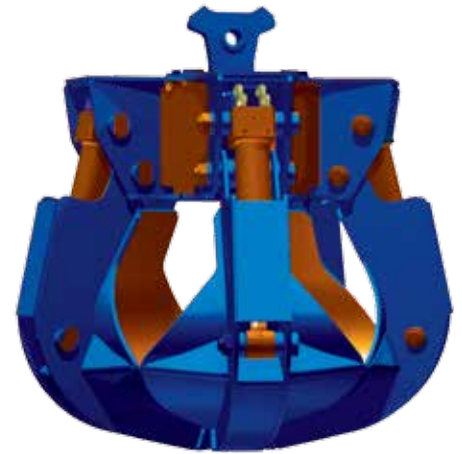


Demolition

| Model | | PCT 100 | PCT 175 | PCT 200 | PCT 275 | PCT 475 | PCT 575 | PCT 700 | PCT 10 | PCT 15 |
|--------------------|--------------------|---------|---------|---------|---------|---------|---------|---------|--------|--------|
| Operating Weight | kg | 130 | 220 | 350 | 580 | 930 | 1010 | 1500 | 2450 | 2850 |
| Excavator | tn | 2-4 | 3-6 | 6-9 | 8-14 | 15-20 | 19-24 | 23-30 | 30-40 | 35-45 |
| Operating Flow | l/min | 30 | 50 | 70 | 90 | 120 | 160 | 180 | 250 | 250 |
| Operating Pressure | bar | 250 | 280 | 280 | 300 | 300 | 320 | 300 | 300 | 300 |
| Opening | mm | 1170 | 1250 | 1420 | 1600 | 1750 | 2045 | 2110 | 2400 | 2760 |
| Force | kg/cm ² | 610 | 1015 | 1160 | 1650 | 2150 | 2690 | 2900 | 4570 | 3950 |
| Loading Capacity | dm ³ | 120 | 180 | 250 | 280 | 400 | 600 | 600 | 1000 | 1500 |
| Rotation FLOW | l/min | 20 | 20 | 20 | 35 | 25 | 35 | 35 | 35 | 35 |
| Rotation Pressure | bar | 250 | 250 | 200 | 110 | 190 | 250 | 250 | 200 | 200 |

PCT 100

PCT 175

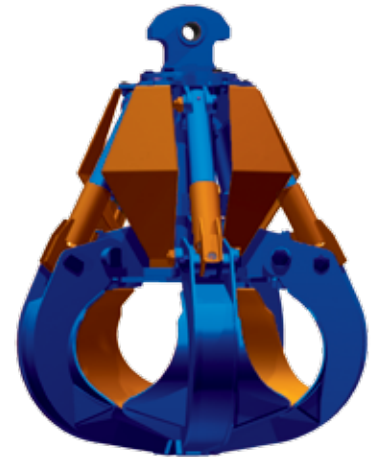


| Model | A | B | C | D | E | Capacity | Tooth Force | Teeth |
|---------|------|-----|------|-----|-----|-----------------|-------------|-------|
| | mm | mm | mm | mm | mm | dm ³ | kg | |
| PCT 100 | 1170 | 805 | 1250 | 965 | 565 | 120 | 610 | 4 |
| PT 175 | 1250 | 950 | 1400 | 795 | 650 | 180 | 1015 | 5 |

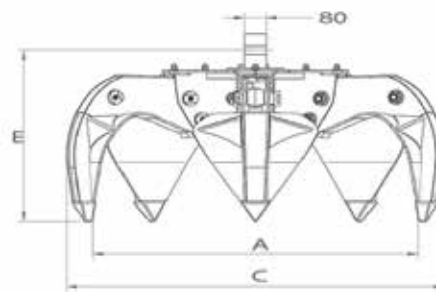
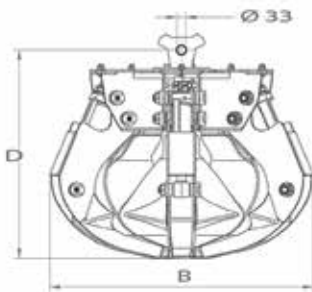
PCT 200



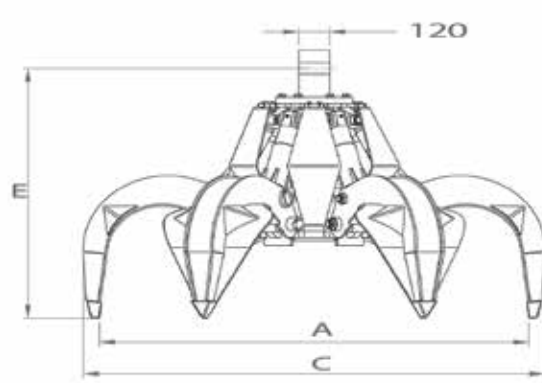
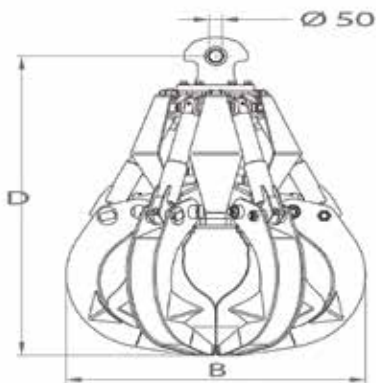
PCT 275



PCT 200

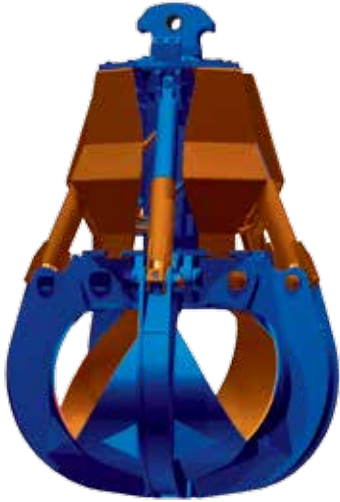


PCT 275

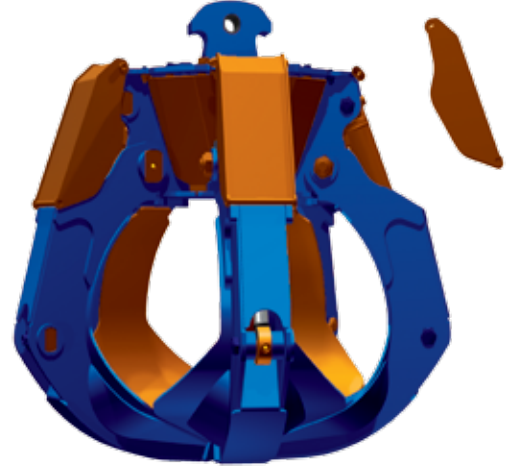


| Model | A | B | C | D | E | Capacity | Tooth force | Teeth |
|---------|------|------|------|------|------|-----------------|-------------|-------|
| | mm | mm | mm | mm | mm | dm ³ | kg | |
| PCT 200 | 1420 | 1080 | 1630 | 870 | 740 | 250 | 1160 | 5 |
| PCT 275 | 1600 | 1090 | 1720 | 1270 | 1080 | 280 | 1650 | 5 |

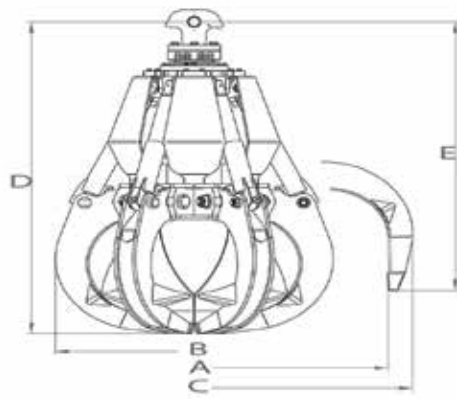
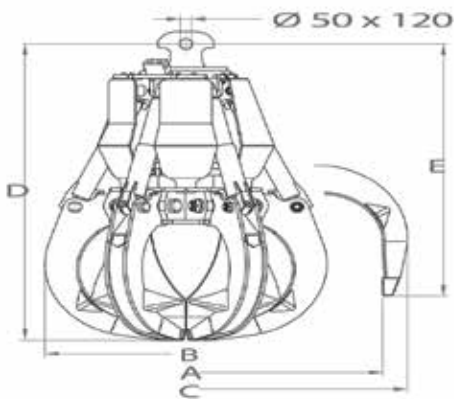
PCT 475



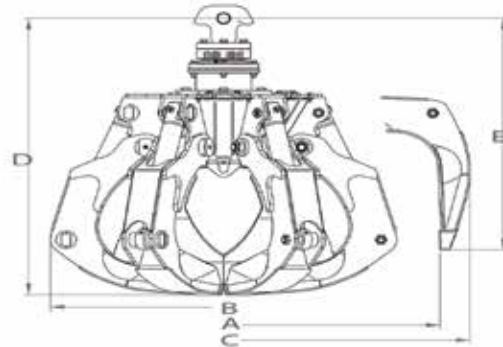
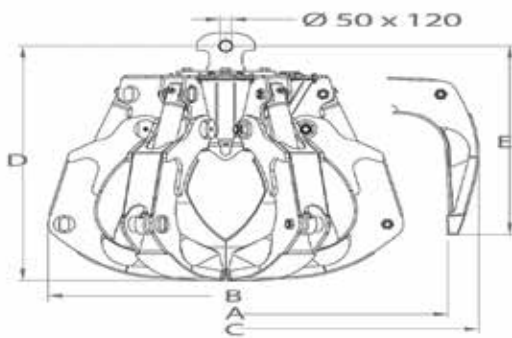
PCT 575



PCT 475

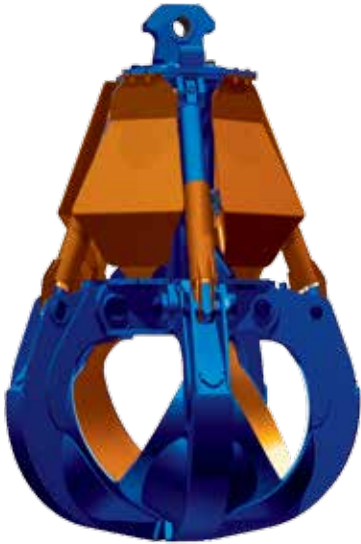


PCT 575



| Model | A | B | C | D | E | Capacity | Tooth Force | Teeth |
|---------|------|------|------|------|------|-----------------|-------------|-------|
| | mm | mm | mm | mm | mm | dm ³ | kg | |
| PCT 475 | 1750 | 1240 | 1960 | 1620 | 1370 | 400 | 2150 | 5 |
| PCT 575 | 2045 | 1515 | 2285 | 1295 | 1000 | 600 | 2690 | 5 |

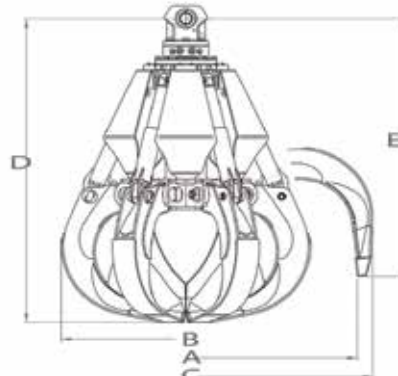
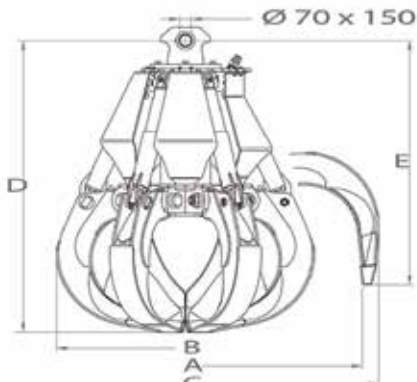
PCT 700



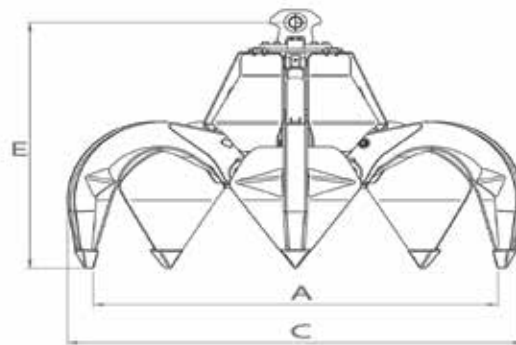
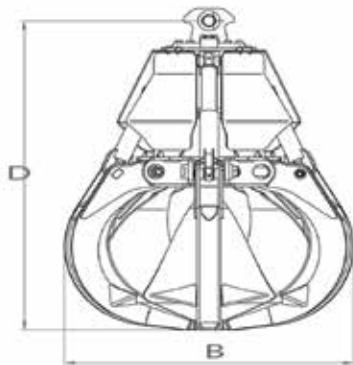
PCT 10-15



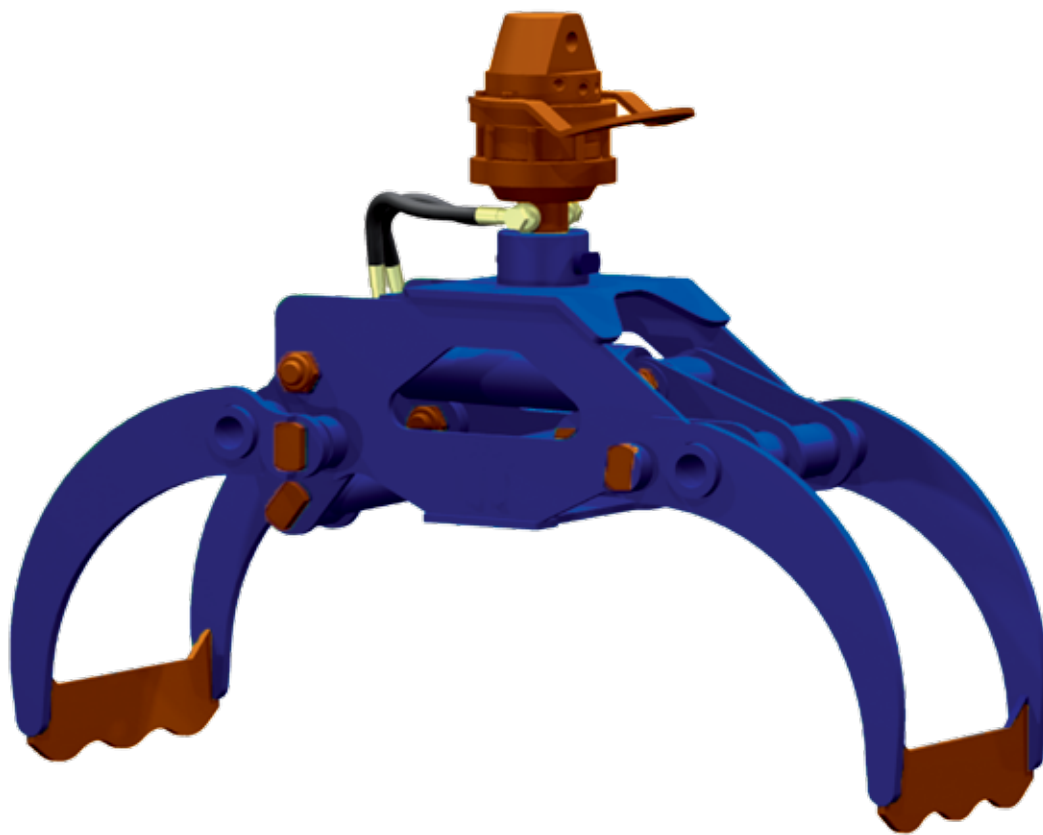
PCT 700



PCT 10-15



| Model | A | B | C | D | E | Capacity | Tooth Force | Teeth |
|---------|------|------|------|------|------|-----------------|-------------|-------|
| | mm | mm | mm | mm | mm | dm ³ | kg | |
| PCT 700 | 2110 | 1510 | 2290 | 1870 | 1580 | 600 | 2900 | 5 |
| PCT 10 | 2400 | 1840 | 2640 | 2265 | 1860 | 1000 | 4570 | 5 |
| PCT 15 | 2760 | 2040 | 3040 | 2400 | 1960 | 1500 | 3950 | 5 |



Grabs for Logs

TABE makes a range of Grabs for logs with several different models. Equipped with the best protection of the rotation and operating mechanisms on the market, this is a suitable tool for Forestry applications.



Advantages of grabs for logs.

- ✓ Equipped with the best protection of the rotation and operating mechanisms on the market.
- ✓ Indispensable for Forestry applications.
- ✓ Very robust and reliable.
- ✓ Take advantage of the services TABE provides.



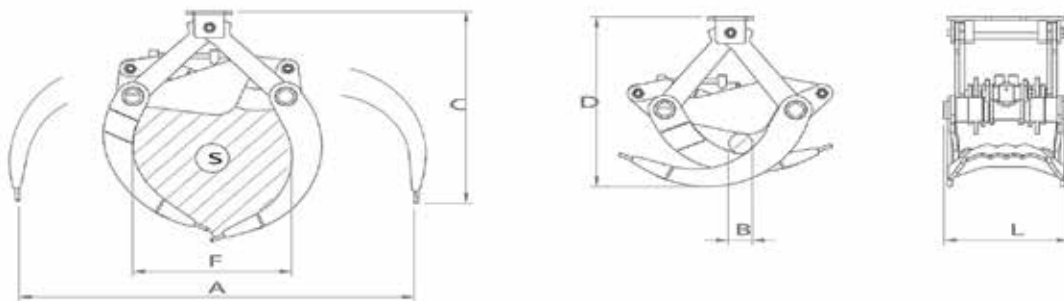
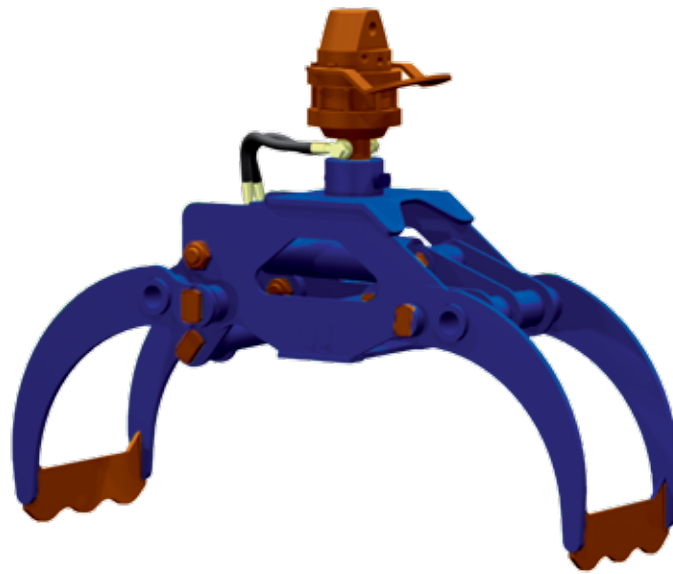
Moving Materials



Forestry

| Model | | PMT 200 | PMT 350 | PMT 400 | PMT 450 | PMT 500 | PMT 600 | PMT 800 |
|--------------------|-----------------|---------|---------|---------|---------|---------|---------|---------|
| Operating Weight | kg | 130 | 220 | 350 | 580 | 930 | 1010 | 1500 |
| Excavator | tn | 2,5-4 | 5-9 | 6-12 | 11-17 | 16-23 | 23-30 | 27-37 |
| Operating Flow | l/min | 30 | 50 | 70 | 70 | 90 | 160 | 180 |
| Operating Pressure | bar | 180 | 180 | 300 | 280 | 280 | 300 | 300 |
| Opening | mm | 1310 | 1450 | 1910 | 1900 | 2150 | 2620 | 3040 |
| Loading Surface | cm ² | 0,2 | 0,3 | 0,4 | 0,4 | 0,7 | 0,8 | 1,6 |
| Loading Capacity | kg | 800 | 1200 | 2000 | 3000 | 3000 | 6000 | 6000 |
| Rotation Flow | l/min | 20 | 25 | 25 | 35 | 40 | 35 | 35 |
| Rotation Pressure | bar | 250 | 250 | 250 | 110 | 150 | 250 | 250 |

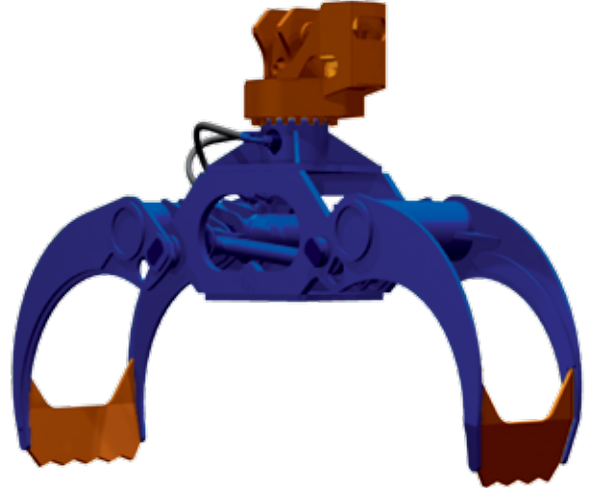
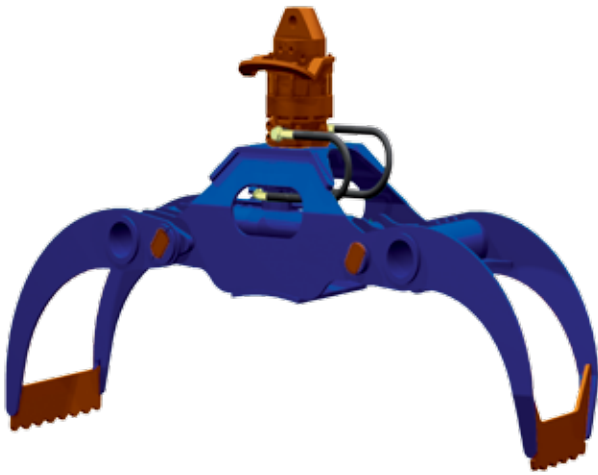
PMT 200
PMT 350



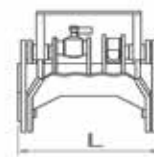
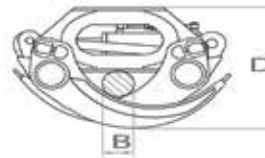
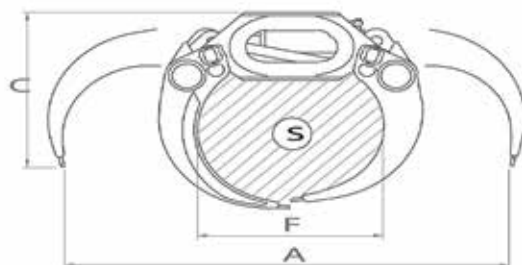
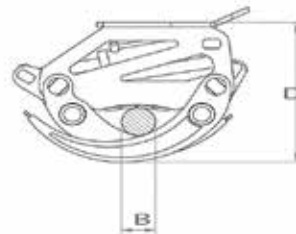
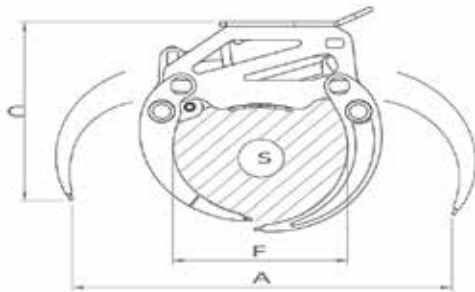
| Model | A | B | C | D | L | F | Surface | Loading |
|---------|------|----|-----|-----|-----|-----|----------------|---------|
| | mm | mm | mm | mm | mm | mm | m ² | kg |
| PMT 200 | 1310 | 60 | 790 | 680 | 390 | 530 | 0,2 | 800 |
| PMT 350 | 1450 | 80 | 880 | 760 | 500 | 650 | 0,3 | 1200 |

PMT 400

PMT 450



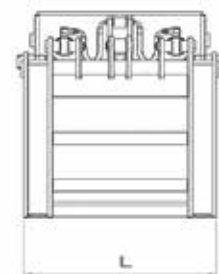
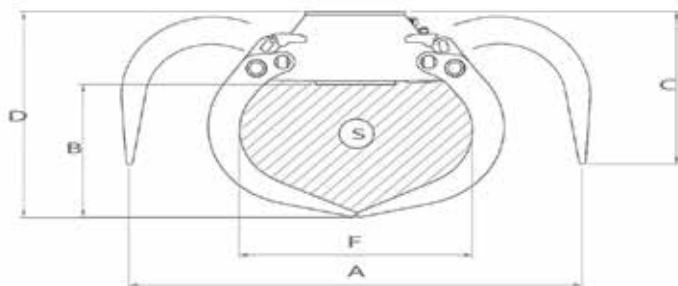
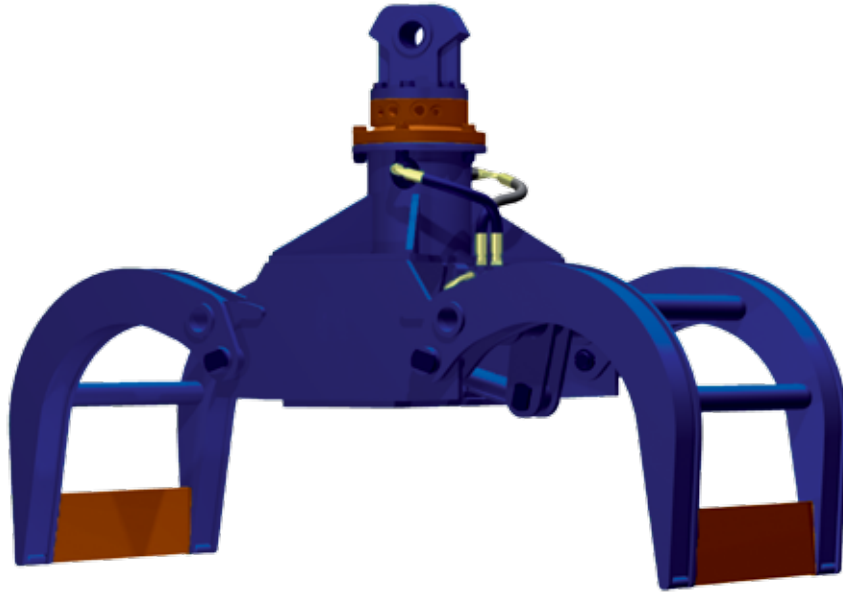
PMT 400



PMT 450

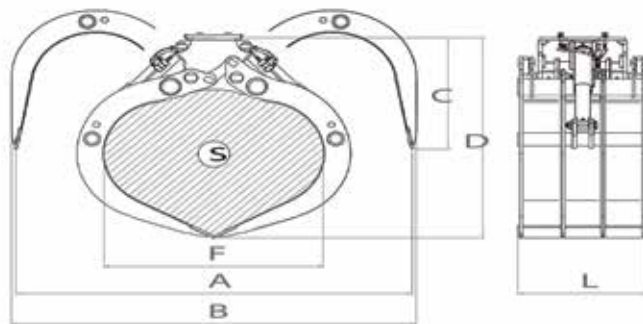
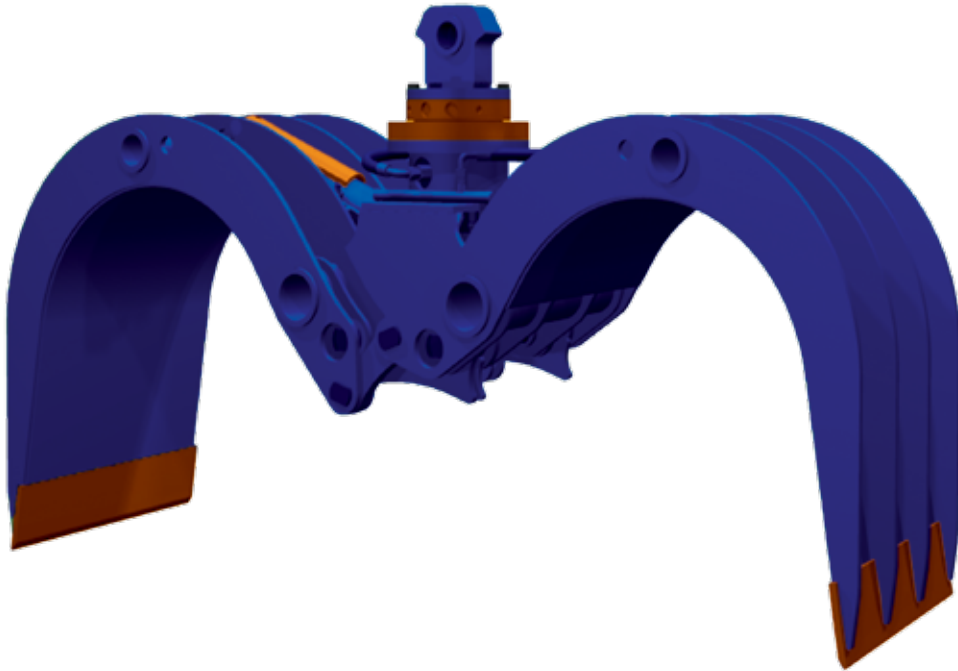
| Model | A | B | C | D | L | F | Surface | Loading |
|---------|------|-----|-----|-----|-----|-----|----------------|---------|
| | mm | mm | mm | mm | mm | mm | m ² | kg |
| PMT 400 | 1910 | 130 | 790 | 620 | 530 | 710 | 0,4 | 2000 |
| PMT 450 | 1900 | 140 | 810 | 670 | 640 | 800 | 0,4 | 3000 |

PMT 500

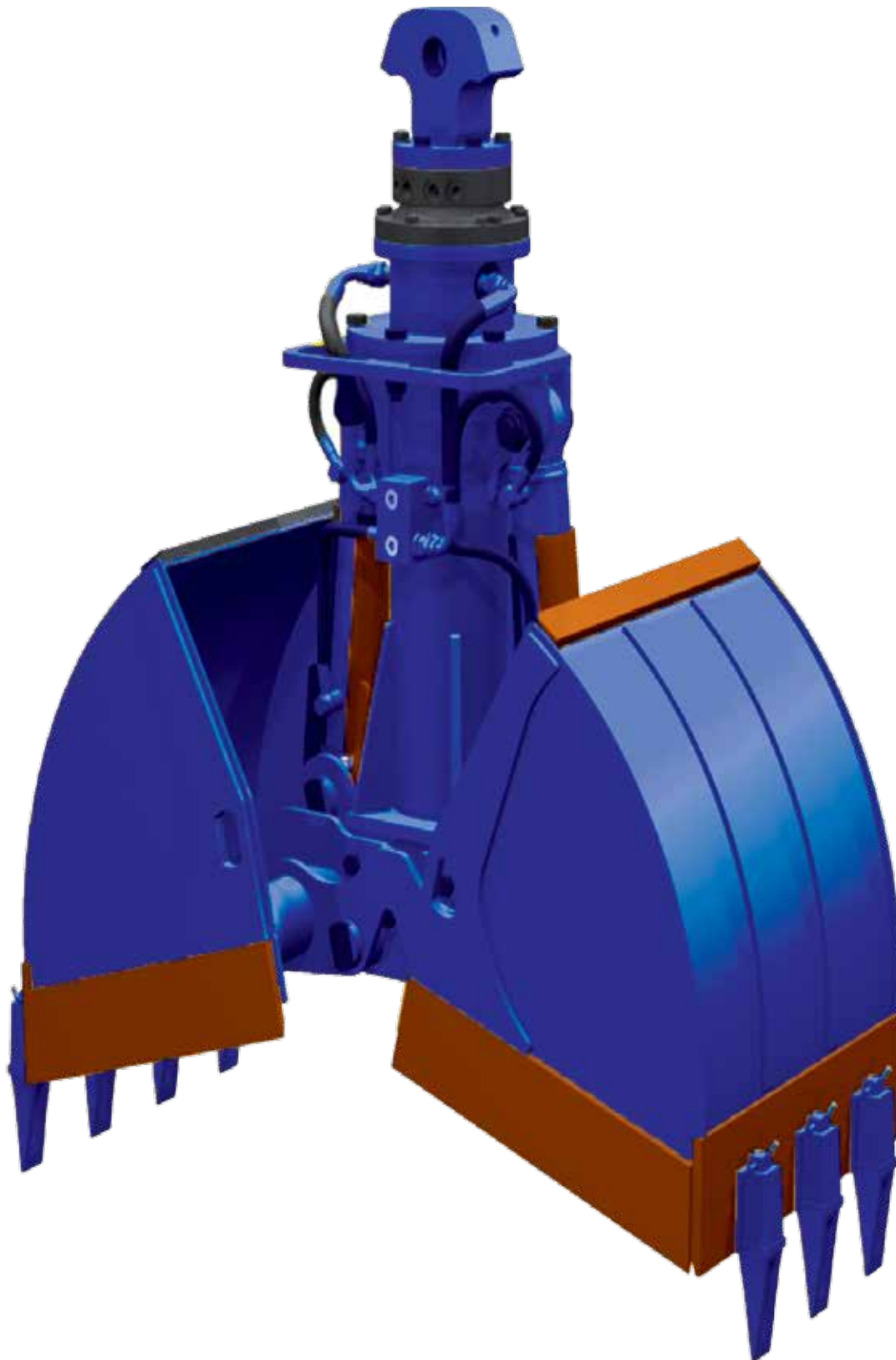


| Modelo | A | B | C | D | L | F | Surface | Loading |
|---------|------|-----|-----|------|-----|------|----------------|---------|
| | mm | mm | mm | mm | mm | mm | m ² | kg |
| PMT 500 | 2150 | 750 | 900 | 1170 | 950 | 1130 | 0,7 | 3000 |

PMT 800

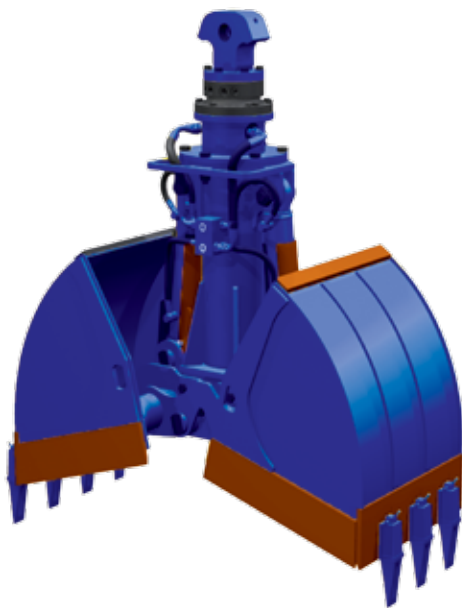


| Model | A | B | C | D | L | F | Surface | Loading |
|---------|------|------|------|------|------|------|----------------|---------|
| | mm | mm | mm | mm | mm | mm | m ² | kg |
| PMT 800 | 3040 | 3110 | 1050 | 1870 | 1000 | 1680 | 1,6 | 6000 |



Grabs for Digging and Loading

TABE makes a range of Grabs with several different models. Equipped with the best protection of the rotation and operating mechanisms on the market, this is a suitable tool for Earthmoving applications.



Advantages of Digging grabs.

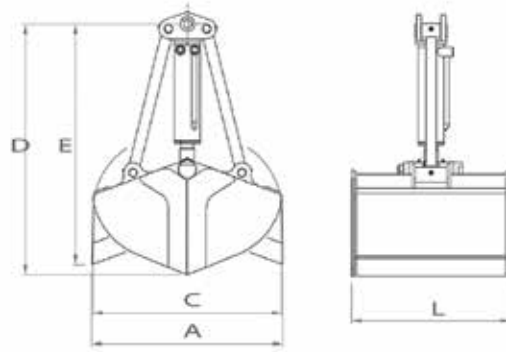
- ✓ Equipped with the best protection of the rotation and operating mechanisms on the market.
- ✓ Indispensable for Earthmoving applications..
- ✓ Very robust and reliable.
- ✓ Take advantage of the services TABE provides.



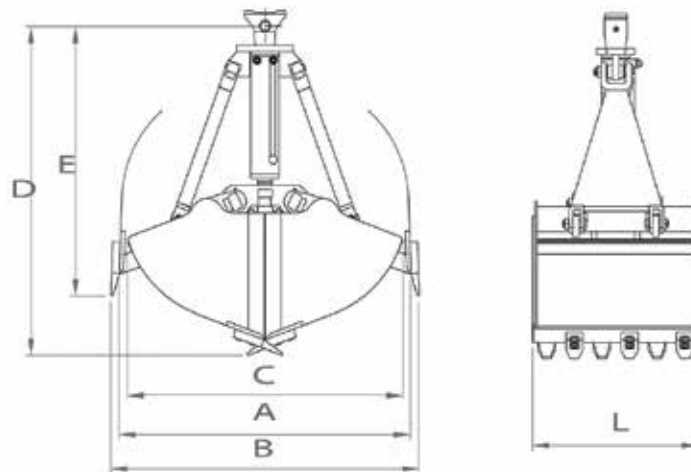
Moving Maerials

| Model | | BET 100 | BET 175 | BET 400 | BET 600 | BET 15 | BET 20 |
|--------------------|-----------------|---------|---------|---------|---------|--------|--------|
| Operating Weight | kg | 80 | 230 | 250 | 800 | 1550 | 2600 |
| Excavator | tn | 1,5-2,5 | 3-6 | 7-14 | 14-22 | 22-32 | 30-50 |
| Operating Flow | l/min | 30 | 70 | 90 | 120 | 160 | 260 |
| Operating Pressure | bar | 280 | 280 | 280 | 300 | 300 | 300 |
| Opening | mm | 600 | 1080 | 1200 | 1650 | 2000 | 2570 |
| Loading Capacity | dm ³ | 50 | 170 | 100 | 385 | 1325 | 2150 |
| Force | kg | 2030 | 2800 | 4150 | 5920 | 8000 | 11260 |
| Rotation FLOW | l/min | 20 | 25 | 25 | 35 | 40 | 35 |
| Rotation Pressure | bar | 250 | 250 | 250 | 110 | 150 | 200 |

BET 100

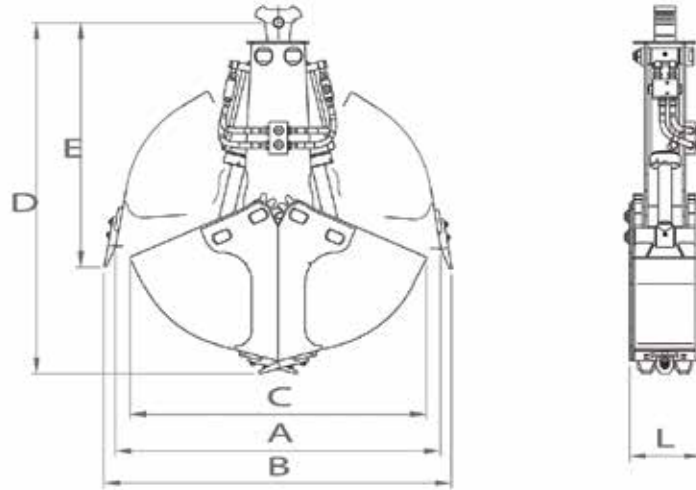


BET 175

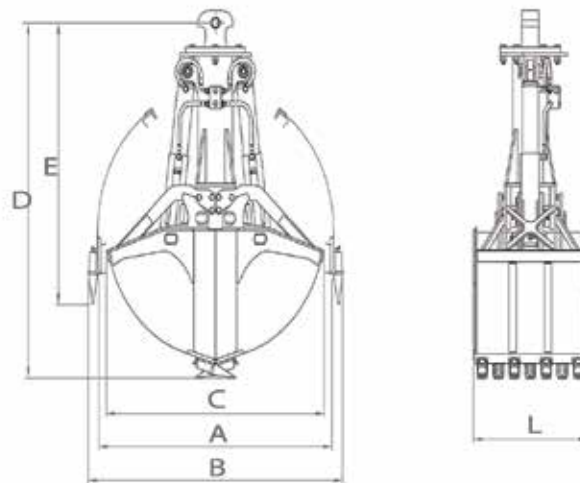


| Model | A | B | C | D | E | L | Force | Weight | Loading |
|---------|------|------|------|------|------|-----|-------|--------|-----------------|
| | mm | mm | mm | mm | mm | mm | kg | kg | dm ³ |
| BET 100 | 600 | — | 595 | 760 | 730 | 500 | 2030 | 80 | 50 |
| PMT 175 | 1080 | 1140 | 1020 | 1160 | 1220 | 610 | 2800 | 230 | 170 |

BET 400

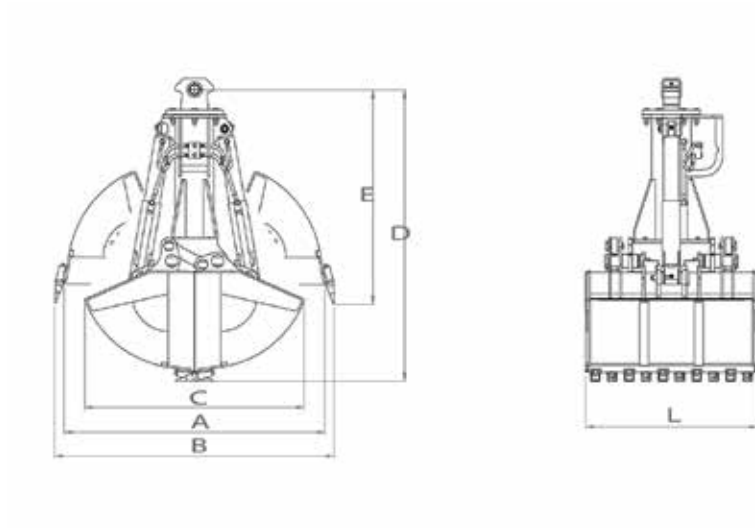


BET 600



| Model | A | B | C | D | E | L | Force | Weight | Loading |
|---------|------|------|------|------|------|-----|-------|--------|-----------------|
| | mm | mm | mm | mm | mm | mm | kg | kg | dm ³ |
| BET 400 | 1200 | 1300 | 1100 | 1300 | 900 | 270 | 4150 | 250 | 100 |
| BET 600 | 1650 | 1780 | 1510 | 1910 | 1500 | 600 | 5920 | 800 | 385 |

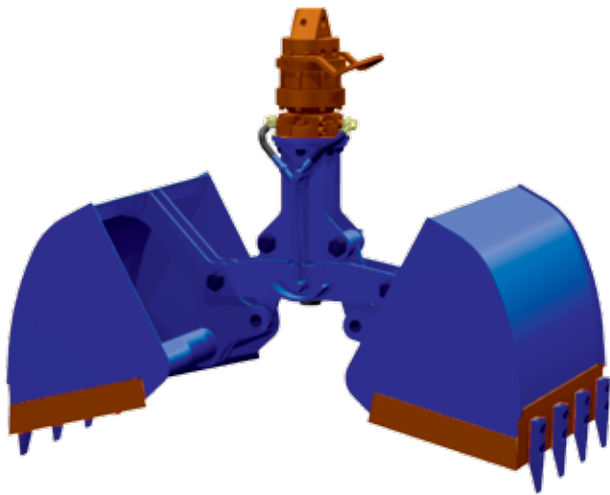
BET 15
BET 20



| Model | A | B | C | D | E | L | Force | Weight | Loading |
|--------|------|------|------|------|------|------|-------|--------|-----------------|
| | mm | mm | mm | mm | mm | mm | kg | kg | dm ³ |
| BET 15 | 2000 | 2140 | 1680 | 2130 | 1570 | 1500 | 8000 | 1550 | 1325 |
| BET 20 | 2570 | 2750 | 2310 | 2820 | 2060 | 1500 | 11260 | 2600 | 2150 |

Loading Grabs

TABE makes a range of Grabs with several different models. Equipped with the best protection of the rotation and operating mechanisms on the market, this is a suitable tool for Earthmoving applications.



Advantages of Loading Grabs.

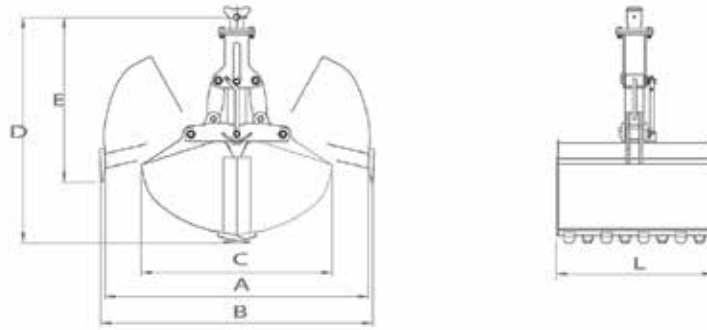
- ✓ Equipped with the best protection of the rotation and operating mechanisms on the market.
- ✓ Indispensable for Earthmoving applications..
- ✓ Very robust and reliable.
- ✓ Take advantage of the services TABE provides.



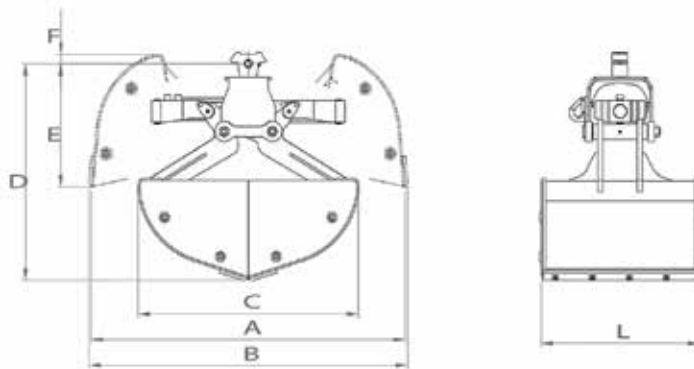
Moving Materials

| Model | | BCT 200 | BCT 400 | BCT 500 | BCT 10 | BCT 15 | BCT 20 | BCT 30 | BCT 40 |
|--------------------|-----------------|---------|---------|---------|--------|--------|--------|--------|--------|
| Operating Weight | kg | 260 | 370 | 430 | 830 | 1345 | 1440 | 3100 | 4500 |
| Excavator | tn | 4-7 | 4-7 | 6-12 | 12-20 | 18-26 | 22-32 | 35-50 | 35-50 |
| Operating Flow | l/min | 50 | 70 | 80 | 100 | 100 | 160 | 190 | 320 |
| Operating Pressure | bar | 280 | 300 | 280 | 280 | 300 | 300 | 320 | 300 |
| Opening | mm | 1550 | 1630 | 1650 | 2140 | 2460 | 2000 | 3200 | 3660 |
| Loading Capacity | dm ³ | 215 | 400 | 380 | 750 | 1580 | 1150 | 4000 | 6000 |
| Force | kg | 1730 | 2350 | 3950 | 4060 | 4760 | 8000 | 9500 | 15300 |
| Rotation FLOW | l/min | 20 | 25 | 25 | 35 | 40 | 35 | 35 | 35 |
| Rotation Pressure | bar | 250 | 250 | 250 | 110 | 150 | 250 | 200 | 200 |

BCT 200

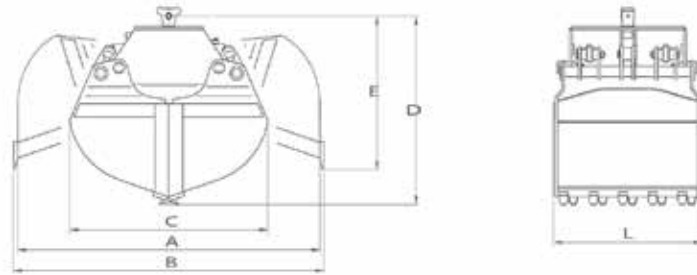


BCT 400

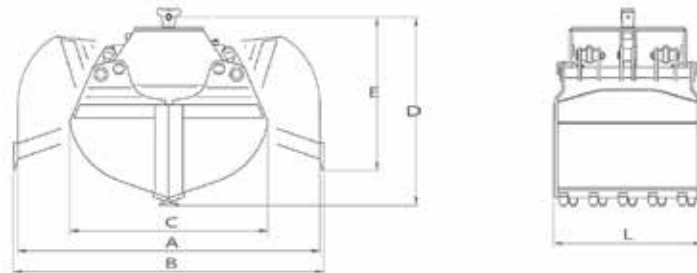


| Model | A | B | C | D | E | F | L | Force | Weight | Loading |
|---------|------|------|------|------|-----|----|-----|-------|--------|-----------------|
| | mm | mm | mm | mm | mm | mm | mm | kg | kg | dm ³ |
| BCT 200 | 1550 | 1600 | 1120 | 1290 | 940 | — | 670 | 1730 | 260 | 215 |
| BCT 400 | 1630 | 1655 | 1150 | 1075 | 610 | 50 | 820 | 2350 | 370 | 400 |

BCT500

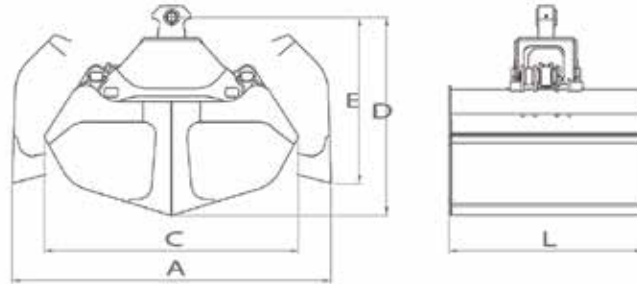


BCT 10

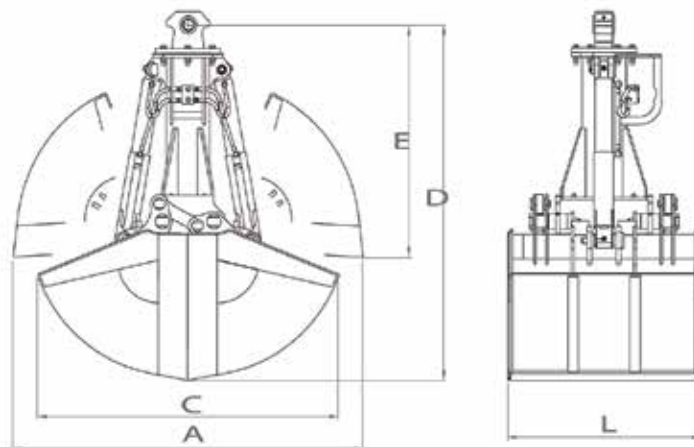


| Model | A | B | C | D | E | F | L | Force | Weight | Loading |
|---------|------|------|------|------|------|----|------|-------|--------|-----------------|
| | mm | mm | mm | mm | mm | mm | mm | kg | kg | dm ³ |
| BCT 500 | 1650 | 1740 | 1140 | 940 | 780 | — | 825 | 3950 | 430 | 380 |
| BCT 10 | 2140 | 2220 | 1400 | 1320 | 1100 | — | 1020 | 4060 | 830 | 750 |

BCT 15

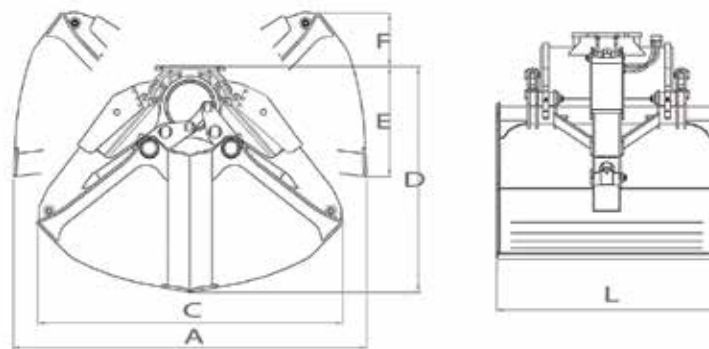


BCT 20



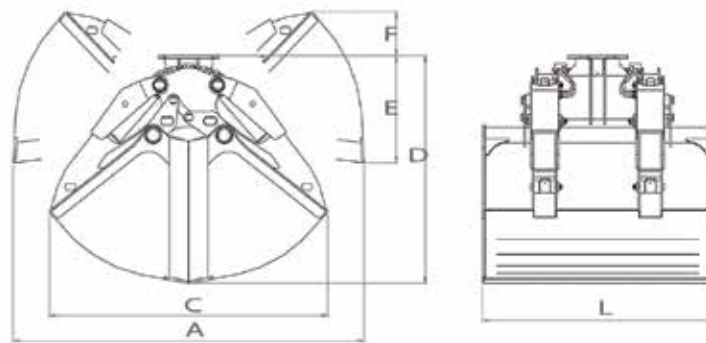
| Model | A | B | C | D | E | F | L | Force | Weight | Loading |
|--------|------|----|------|------|------|----|------|-------|--------|-----------------|
| | mm | mm | mm | mm | mm | mm | mm | kg | kg | dm ³ |
| BCT 15 | 2460 | — | 1960 | 1300 | 1070 | — | 1500 | 4760 | 1345 | 1580 |
| BCT 20 | 2400 | — | 2040 | 2270 | 1420 | — | 1300 | 6500 | 1440 | 1750 |

BCT30



| Model | A | C | D | E | F | L | Force | Weight | Loading |
|--------|------|------|------|-----|-----|------|-------|--------|-----------------|
| | mm | mm | mm | mm | mm | mm | kg | kg | dm ³ |
| BCT 30 | 3200 | 2750 | 2000 | 980 | 480 | 2000 | 9500 | 3100 | 4000 |

BCT 40



| Model | A | C | D | E | F | L | Force | Weight | Loading |
|--------|------|------|------|------|-----|------|-------|--------|-----------------|
| | mm | mm | mm | mm | mm | mm | kg | kg | dm ³ |
| BCT 40 | 3660 | 2910 | 2310 | 1090 | 435 | 2400 | 15300 | 4500 | 6000 |