

www.prodem-attachments.com

PRODEM

PRODEM

A Force You Can Depend On

**PRW ROCK
WHEEL**

ROCK WHEEL

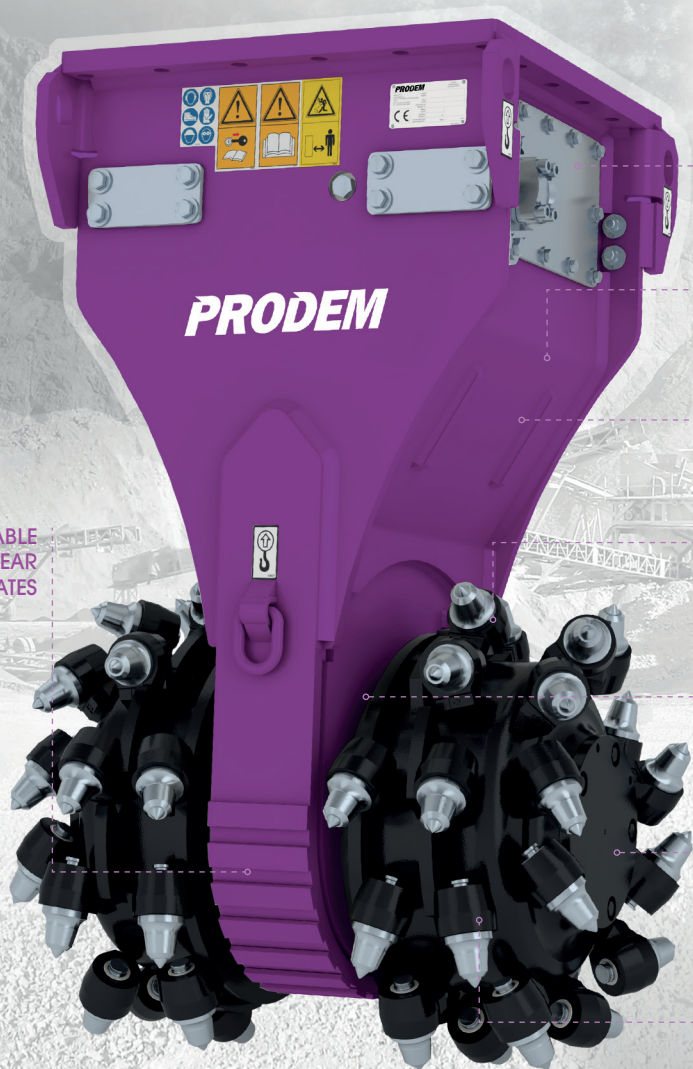
THE PRODEM PRW ROCK WHEEL IS PERFECT FOR JOBS REQUIRING ACCURATE EXCAVATION OF MEDIUM TO HARD FRACTURED ROCK.

It is ideal for trenching, profiling rock & cement walls, tunnelling, quarrying, demolition, dredging and even underwater applications.

They are particularly recommended for finishing operations, where high precision, minimum disturbance and optimum aesthetic results are required, and for use on sites with noise and vibration sensitivities.

FEATURES AND BENEFITS OF PRODEM PRW ROCK WHEEL

- >> Precise cutting
- >> Deep & narrow trenches
- >> Gives maximum performance with less noise and vibration than conventional rock breaking methods
- >> Virtually maintenance free
- >> Milled material can be reused on site
- >> Suitable for underwater works
- >> Hydraulic 360° rotation available (optional)



FEED LINE FILTER
Protects the motor from impurities

FRAME DESIGN PREVENTS MATERIAL BUILD-UP

TWO HOSE POSITIONS
Gives maximum precision and increased productivity

PATENTED INTEGRATED HIGH DISPLACEMENT HYDRAULIC PISTON MOTOR
Gives high torque and performance

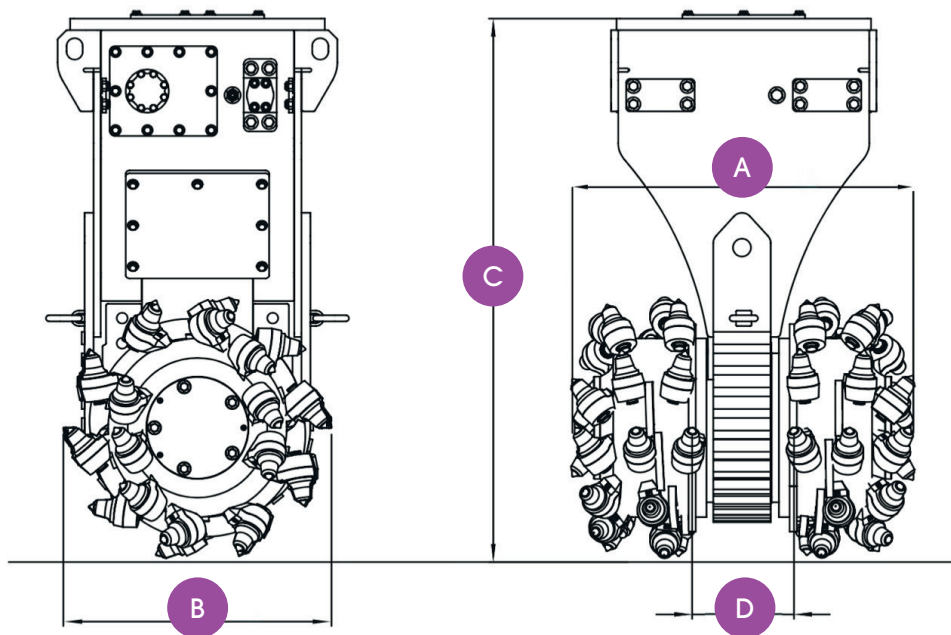
DUST PROOF MECHANICAL SEALS
Provides protection from dust even when attachment is in the ground

DOUBLE SUPPORT BEARINGS FOR EACH DRUM
Shaft transmits motion only, and bears no load

INTERCHANGEABLE DRUMS & TEETH
To suit any application

REPLACEABLE ANTI-WEAR PLATES

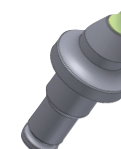
TECHNICAL SPECIFICATION



TEETH OPTIONS



MIXED MATERIAL TEETH

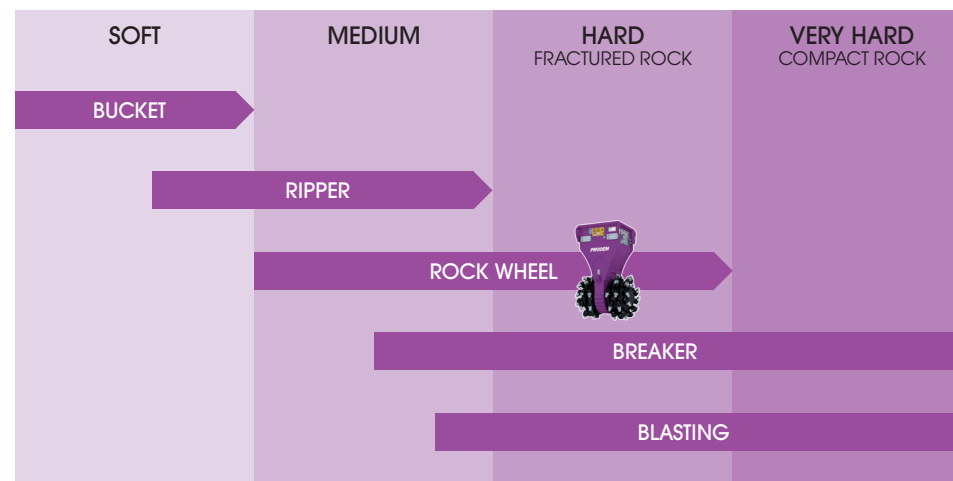


HARD MATERIAL TEETH



WOOD TEETH

EFFICIENCY ON DIFFERENT TYPES OF TERRAIN

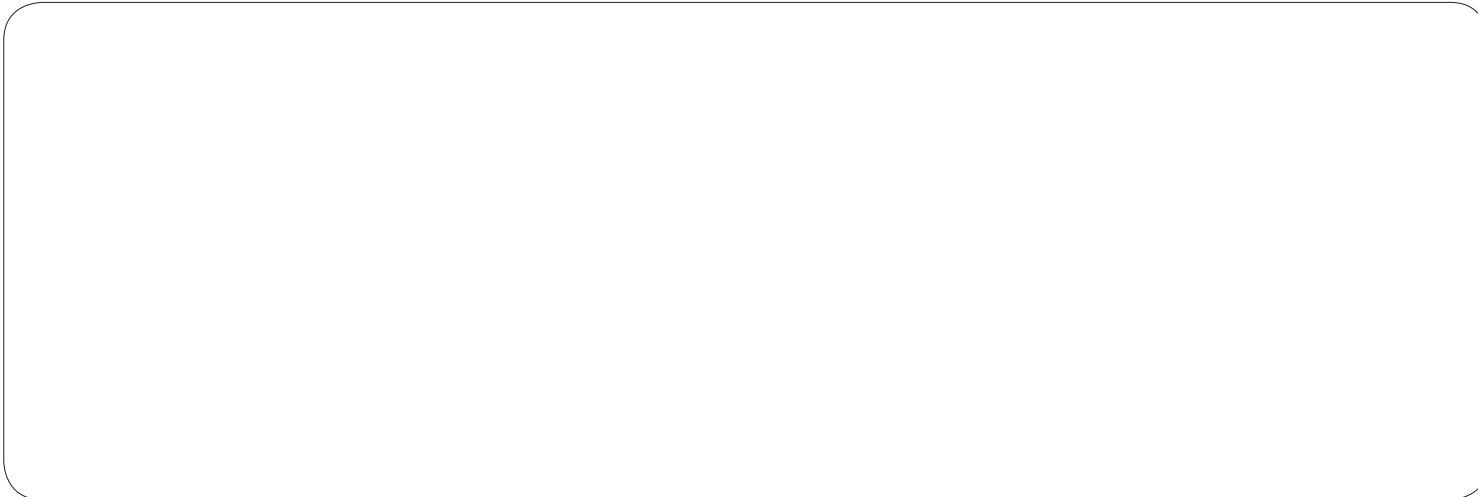


Model number	Excavator Weight Class (t)	Working Weight exc. bracket (kg)	Required oil flow (lpm)	Max pressure (bar)	Max cutting force (kN)	Hydraulic motor power (kW)	Standard drum width - A (mm)	Drum diameter - B (mm)	Height without bracket - C (mm)	Drum distance - D (mm)	Tooth holder diameter (mm)
PRW040	2.5-7	300	45-80	350	13.5	27	565	380	770	110	20
PRW060	6-12	470	65-120	350	20.3	37	625	450	900	130	22
PRW100	9-16	640	90-150	350	27.6	50	700	500	960	130	22
PRW200	14-22	1140	130-190	350	35.2	61	800	595	1250	150	38/30
PRW250	20-34	1465	170-250	350	53.4	87	850	660	1310	160	38/30
PRW300	28-45	2410	240-340	380	68	112	950	750	1575	175	38/30
PRW400	40-55	2700	280-400	380	90	140	1000	750	1675	250	38/30
PRW500	50-70	3650	350-500	380	121	175	1250	750	1770	300	38/30

PRODEM

A Force You Can Depend On

Contact your authorised ***PRODEM*** dealer:



E sales@prodem-attachments.com www.prodem-attachments.com