

### po-Söffel CX-WS

#### Fields of application:

The waste water pump **po-Söffel CX** is a submersible centrifugal pump for delivery of clean or dirty water with solid admixtures up to a particle size of 6 mm.

#### Technical data:

Delivery rate range	24 - 0 m <sup>3</sup> /h
Delivery head range	0 - 16 m
Medium temperature	max. 40 °C
Immersion depth	max. 15 m
Density	1100 kg/m <sup>3</sup>
pH-value	2 - 10
Current type	Single-phase AC with capacitor
Nominal voltage	230 V 1~ , 50 Hz
Nominal current	10 A
Motor nominal power	1.0 kW
Nominal speed	2800 1/min

Weight	33 kg without cable
Degree of protection	DIN IP68
Thread connection	R 2" external thread BSP 2", NPT 2"
Coupling	Storz C
Hose connection	ø 2"

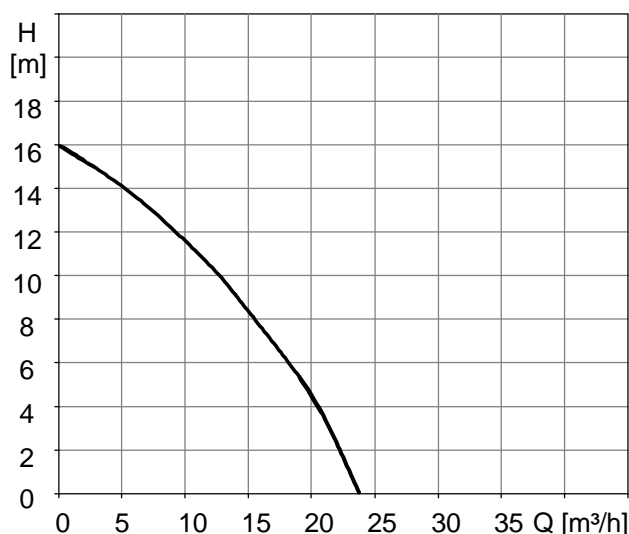
#### Material specification:

Casing	Stainless steel	1.4401
Impeller	Stainless steel	1.4401
	or	1.4001 / 56HRC
Diffuser	Rubber	
	Stainless steel	1.4001
Shaft	Stainless steel	1.4057
Suction bracket	Rubber	
Inlet strainer	Stainless steel	1.4401
Shaft sealing	Dual mechanical seal	
	SiC - SiC	

#### Electrical connection:

- 20 m rubber-jacket cable with connector plug
- alternatively with motor protection connector plug or with motor protection connector plug and float switch
- thermal overloads embedded in stator winding

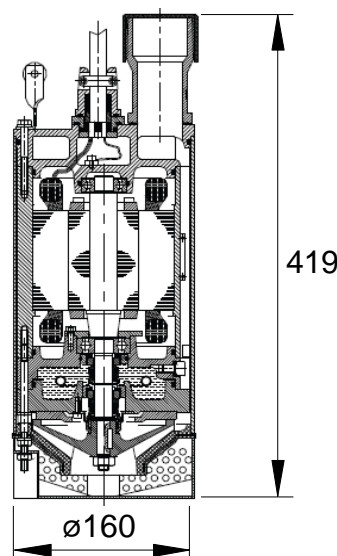
#### Characteristic curve:



#### Delivery data:

Q [m <sup>3</sup> /h]	0	2	4	8	12	16	20	24
Q [l/s]	0	0.5	1.1	2.2	3.3	4.4	5.5	8.6
H [m]	16	15.3	14.5	12.5	10.3	7.5	4.5	0

#### Main dimensions:



special design on request

Subject to alterations

### po-Söffel CX-DS

#### Fields of application:

The waste water pump **po-Söffel CX** is a submersible centrifugal pump for delivery of clean or dirty water with solid admixtures up to a particle size of 6 mm.

#### Technical data:

Delivery rate range	39 - 0 m <sup>3</sup> /h
Delivery head range	0 - 16 m
Medium temperature	max. 40 °C
Immersion depth	max. 15 m
Density	1100 kg/m <sup>3</sup>
pH-value	2 - 10
Current type	three-phase AC
Nominal voltage	400 V / 690 V, 3~ , 50 Hz
Nominal current	3.9 A / 2.3 A
Motor nominal power	1.5 kW
Nominal speed	2800 1/min

Weight	33 kg without cable
Degree of protection	DIN IP68
Thread connection	R 2" external thread BSP 2", NPT 2"
Coupling	Storz C
Hose connection	ø 2 "

#### Material specification:

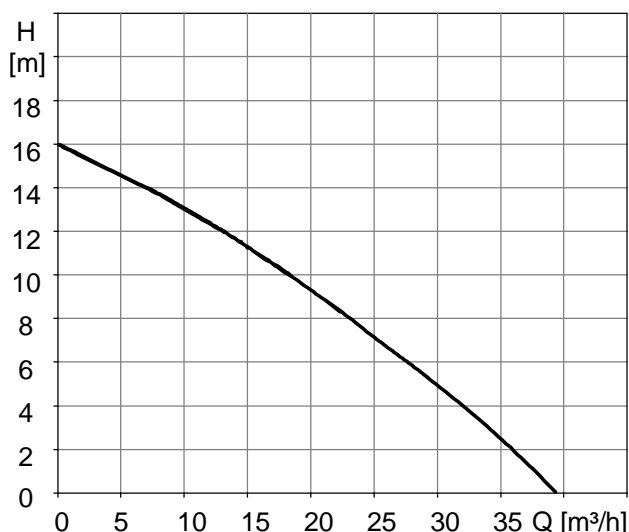
Casing	Stainless steel	1.4401
Impeller	Stainless steel	1.4401 or 1.4001 / 56HRC
Diffuser	Rubber	
Shaft	Stainless steel	1.4001
Shaft	Stainless steel	1.4057
Suction bracket	Rubber	
Inlet strainer	Stainless steel	1.4401
Shaft sealing	Dual mechanical seal	SiC - SiC

#### Electrical connection:

- 20 m rubber-jacket cable
- alternatively with phase reversing connector plug, with motor protection connector plug or with motor protection connector plug and float switch
- thermal overloads embedded in stator winding

special design on request

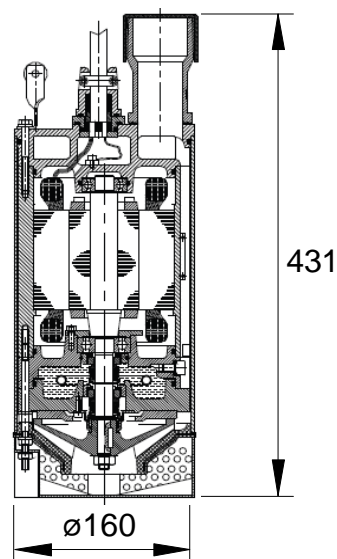
#### Characteristic curve:



#### Delivery data:

Q [m <sup>3</sup> /h]	0	5	10	15	20	25	30	39
Q [l/s]	0	1.4	2.8	4.2	5.5	6.9	8.3	10.8
H [m]	16	14.5	13	11	9.3	7	5	0

#### Main dimensions:



Subject to alterations

### po-Söffel BX

#### Fields of application:

The waste water pump **po-Söffel BX** is a submersible centrifugal pump for delivery of clean or dirty water with solid admixtures up to a particle size of 6 mm.

#### Technical data:

Delivery rate range	69 - 0 m <sup>3</sup> /h
Delivery head range	0 - 22 m
Medium temperature	max. 40 °C
Immersion depth	max. 15 m
Density	1100 kg/m <sup>3</sup>
pH-value	2 - 10
Current type	three-phase-AC
Nominal voltage	400 V / 690 V 3~, 50 Hz
Nominal current	8.1 A / 4.7 A
Motor nominal power	3.7 kW
Nominal speed	2800 1/min

Weight	50 kg without cable
Degree of protection	DIN IP68
Thread connection	R 3" external thread BSP 3", NPT 3"
Coupling	Storz B
Hose connection	ø 3"

#### Material specification:

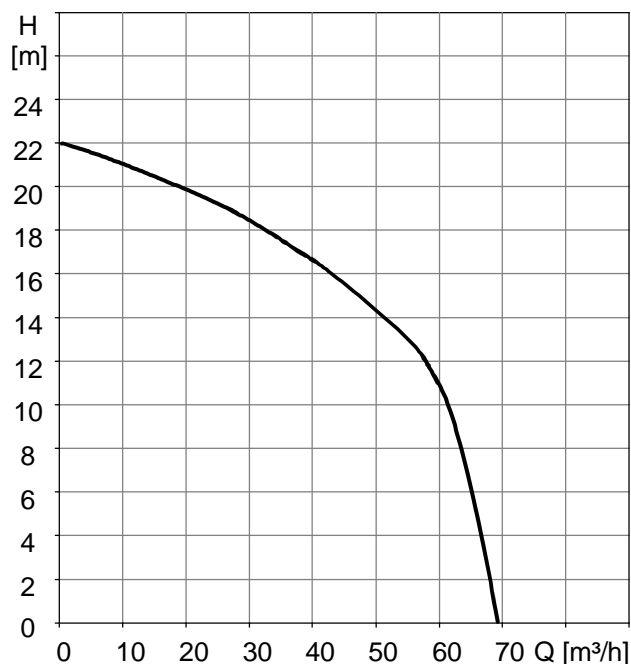
Casing	Stainless steel	1.4401
Impeller	Stainless steel	1.4401 or 1.4001 / 56HRC
Diffuser	Rubber	
Shaft	Stainless steel	1.4001
Shaft	Stainless steel	1.4057
Suction bracket	Rubber	
Inlet strainer	Stainless steel	1.4401
Shaft sealing	Dual mechanical seal	SiC - SiC

#### Electrical connection:

- 20 m rubber-jacket cable
- alternatively with phase reversing connector plug, with motor protection connector plug or with motor protection connector plug and float switch
- thermal overloads emdedded in stator winding

special design on request

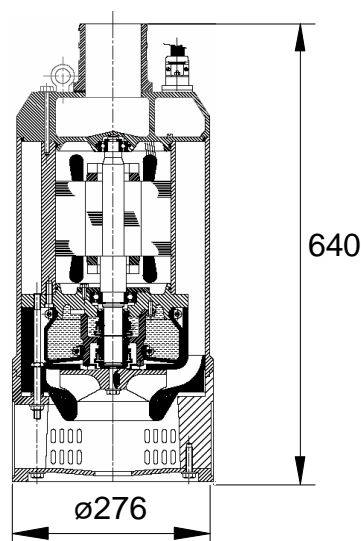
#### Characteristic curve:



#### Delivery data:

Q [m <sup>3</sup> /h]	0	10	20	30	40	50	60	69
Q [l/s]	0	2.8	5.6	8.3	11.1	14.8	16.2	19.2
H [m]	22	21	20	18.5	16.5	14.2	10.5	0

#### Main dimensions:



Subject to alterations

### po-Söffel BX-W

#### Fields of application:

The waste water pump **po-Söffel BX-W** is a submersible centrifugal pump for delivery of clean or dirty water with solid admixtures up to a particle size of 9.5 mm.

#### Technical data:

Delivery rate range	156 - 0 m <sup>3</sup> /h
Delivery head range	0 - 28 m
Medium temperature	max. 40 °C
Immersion depth	max. 15 m
Density	1100 kg/m <sup>3</sup>
pH-value	2 - 12
Current type	three-phase-AC
Nominal voltage	400 V / 690 V, 3~, 50 Hz
Nominal current	12.5 A / 7.2 A
Motor nominal power	5.5 kW
Nominal speed	2800 1/min

Weight	59 kg without cable
Degree of protection	DIN IP68
Thread connection	R 4" external thread BSP 4", NPT 4"
Coupling	Storz B
Hose connection	ø 4"

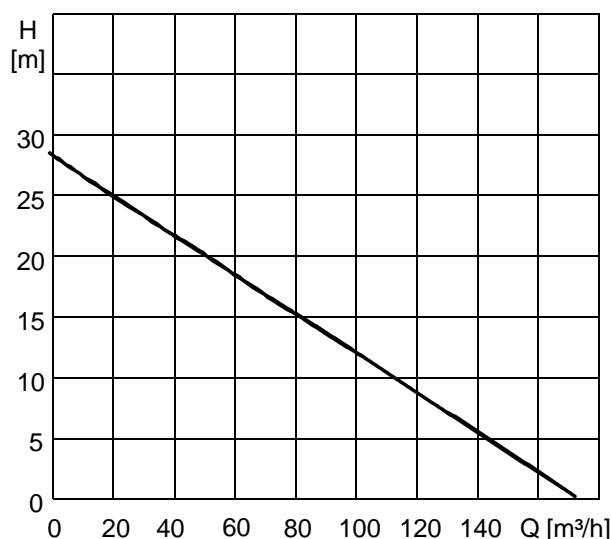
#### Material specification:

Casing	Stainless steel	1.4401
Impeller	Stainless steel	1.4401 or 1.4001 / 56HRC
Diffuser	Rubber	
	Stainless steel	1.4001
Shaft	Stainless steel	1.4057
Suction bracket	Rubber	NBR
Inlet strainer	Stainless steel	1.4401
Shaft sealing	Dual mechanical seal	SiC - SiC

#### Electrical connection:

- 20 m rubber-jacket cable
- alternatively with phase reversing connector plug, with motor protection connector plug or with motor protection connector plug and float switch
- thermal overloads embedded in stator winding

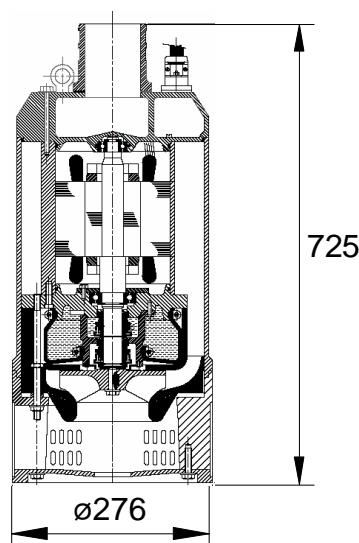
#### Characteristic curve:



#### Delivery data:

Q [m <sup>3</sup> /h]	0	20	40	60	80	100	120	156
Q [l/s]	0	5.5	11	16.7	22.2	27.8	33.3	43.3
H [m]	28	24.5	21.5	18.5	15.5	11.5	7.5	0

#### Main dimensions:



special design on request

Subject to alterations

### po-Söffel AX

#### Fields of application:

The waste water pump **po-Söffel AX** is a submersible centrifugal pump for delivery of clean or dirty water with solid admixtures up to a particle size of 9.5 mm.

#### Technical data:

Delivery rate range	180 - 0 m <sup>3</sup> /h
Delivery head range	0 - 29 m
Medium temperature	max. 40 °C
Immersion depth	max. 15 m
Density	1100 kg/m <sup>3</sup>
pH-value	2 - 10
Current type	three-phase-AC
Nominal voltage	400 V / 690 V, 3~, 50 Hz
Nominal current	16 A / 9.3 A
Motor nominal power	7.5 kW
Nominal speed	2800 1/min

Weight	64 kg without cable
Degree of protection	DIN IP68
Thread connection	R 4" external thread BSP 4", NPT 4"
Coupling	Storz A
Hose connection	ø 4"

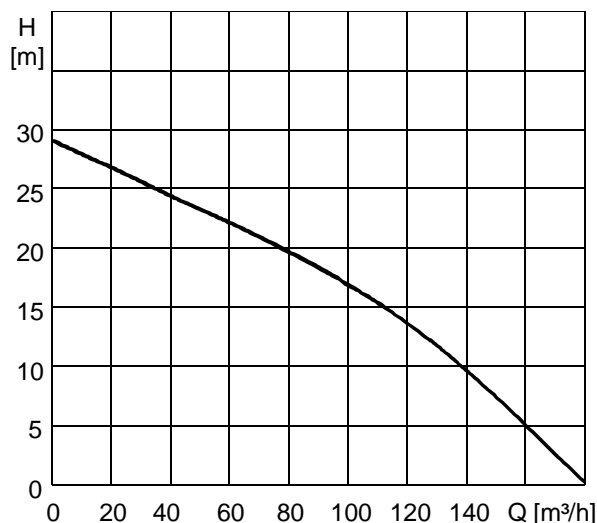
#### Material specification:

Casing	Stainless steel	1.4401
Impeller	Stainless steel	1.4401
	or	1.4001 / 56HRC
Diffuser	Rubber	
	Stainless steel	1.4001
Shaft	Stainless steel	1.4057
Suction bracket	Rubber	
Inlet strainer	Stainless steel	1.4401
Shaft sealing	Dual mechanical seal	
	SiC - SiC	

#### Electrical connection:

- 20 m rubber-jacket cable
- alternatively with phase reversing connector plug, with motor protection connector plug or with motor protection connector plug and float switch
- thermal overloads embedded in stator winding

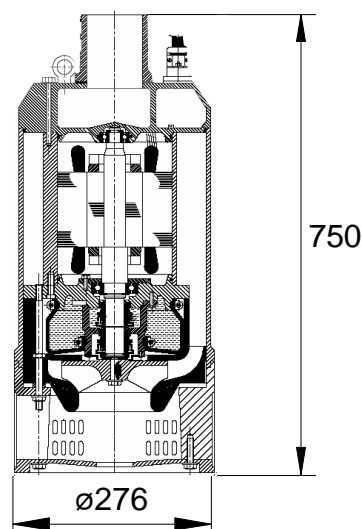
#### Characteristic curve:



#### Delivery data:

Q [m <sup>3</sup> /h]	0	25	50	75	100	125	150	180
Q [l/s]	0	6.9	13.9	21	28	34.7	41.7	50
H [m]	29	26	23	20	17	13	7	0

#### Main dimensions:



special design on request

Subject to alterations

### po-Söffel AX-H

#### Fields of application:

The drainage pump **po-Söffel AX-H** is a submersible centrifugal pump for delivery of clean or dirty water with solid admixtures up to a particle size of 6 mm.

#### Technical data:

Delivery rate range	63 - 0 m <sup>3</sup> /h
Delivery head range	18.5 - 49 m
Medium temperature	max. 40 °C
Immersion depth	max. 15 m
Density	1100 kg/m <sup>3</sup>
pH-value	2 - 10
Current type	three-phase-AC
Nominal voltage	400 V / 690 V 3~, 50 Hz
Nominal current	16 A / 9.3 A
Motor nominal power	7.5 kW
Nominal speed	2800 1/min

Weight	67 kg without cable
Degree of protection	DIN IP68
Thread connection	R 3 external thread BSP 3", NPT 3"
Coupling	Storz B
Hose connection	ø3"

#### Material specification:

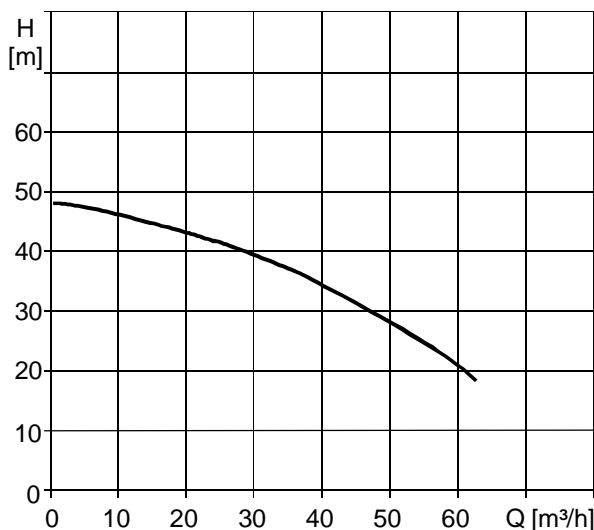
Casing	Stainless steel	1.4401
Impeller	Stainless steel	1.4401 or 1.4001 / 56HRC
Diffuser	Rubber	
Shaft	Stainless steel	1.4001
Suction bracket	Rubber	
Inlet strainer	Stainless steel	1.4401
Shaft sealing	Dual mechanical seal	SiC - SiC

#### Electrical connection:

- 20 m rubber-jacket cable
- alternatively with phase reversing connector plug, with motor protection connector plug or with motor protection connector plug and float switch
- thermal overloads embedded in stator winding

special design on request

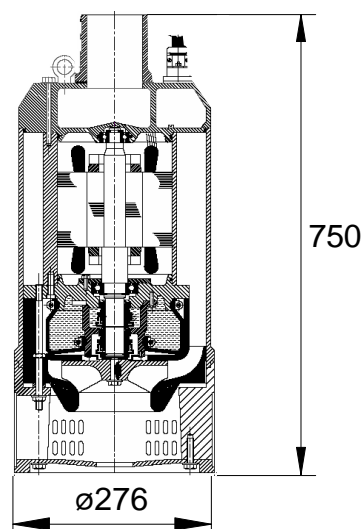
#### Characteristic curve:



#### Delivery data:

Q [m <sup>3</sup> /h]	0	10	20	30	40	50	60	63
Q [l/s]	0	2.8	5.5	8.3	11	13.9	16.7	17.5
H [m]	49	45.5	43	39.5	34	28.5	20.5	18.5

#### Main dimensions:



Subject to alterations

### po-Söffel 0X

#### Fields of application:

The waste water pump **po-Söffel 0X** is a submersible centrifugal pump for delivery of clean or dirty water with solid admixtures up to a particle size of 10 mm.

#### Technical data:

Delivery rate range	360 - 0 m <sup>3</sup> /h
Delivery head range	0 - 38.5 m
Medium temperature	max. 40 °C
Immersion depth	max. 15 m
Density	1100 kg/m <sup>3</sup>
pH-value	2 - 10
Current type	three-phase-AC
Nominal voltage	400 V / 690 V 3~, 50 Hz
Nominal current	39 A / 23 A
Motor nominal power	19 kW
Nominal speed	2800 1/min

Weight	186 kg without cable
Degree of protection	DIN IP68
Thread connection	R 6" external thread BSP 6", NPT 6"
Coupling	Storz F-150
Hose connection	ø 6"

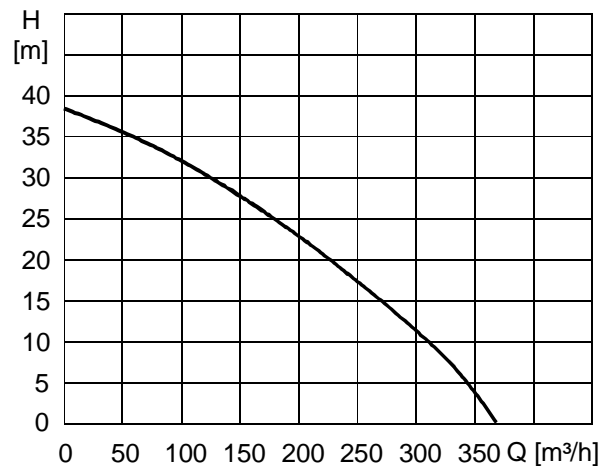
#### Material specification:

Casing	Stainless steel	1.4401
Impeller	Stainless steel	1.4401 or 1.4001 / 56HRC
Diffuser	Rubber	
Shaft	Stainless steel	1.4001
Suction bracket	Rubber	
Inlet strainer	Stainless steel	1.4401
Shaft sealing	Dual mechanical seal	SiC - SiC

#### Electrical connection:

- 20 m rubber-jacket cable
- alternatively with phase reversing connector plug, with motor protection connector plug or with motor protection connector plug and float switch
- thermal overloads embedded in stator winding

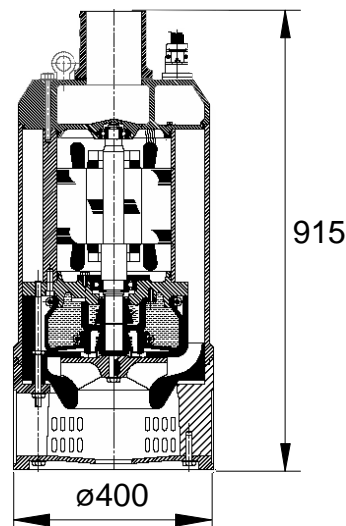
#### Characteristic curve:



#### Delivery data:

Q [m <sup>3</sup> /h]	0	50	100	150	200	250	300	360
Q [l/s]	0	13.9	27.8	41.6	55.5	69.4	83.3	100
H [m]	38.5	35.5	32	27.5	22.5	16.5	11	0

#### Main dimensions:



special design on request

Subject to alterations

### po-Söffel 0X-H

#### Fields of application:

The waste water pump **po-Söffel 0X-H** is a submersible centrifugal pump for delivery of clean or dirty water with solid admixtures up to a particle size of 10 mm.

#### Technical data:

Delivery rate range	85 - 0 m <sup>3</sup> /h
Delivery head range	30 - 70 m
Medium temperature	max. 40 °C
Immersion depth	max. 15 m
Density	1100 kg/m <sup>3</sup>
pH-value	2 - 10
Current type	three-phase-AC
Nominal voltage	400 V / 690 V 3~, 50 Hz
Nominal current	39 A / 23 A
Motor nominal power	19 kW
Nominal speed	2800 1/min

Weight	186 kg without cable
Degree of protection	DIN IP68
Thread connection	R 4" external thread BSP 4", NPT 4"
Coupling	Storz A
Hose connection	ø 6"

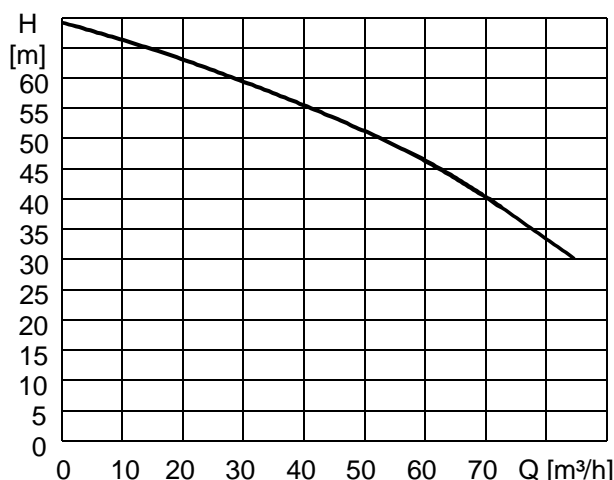
#### Material specification:

Casing	Stainless steel	1.4401
Impeller	Stainless steel	1.4401 or 1.4001 / 56HRC
Diffuser	Rubber	
Shaft	Stainless steel	1.4001
Suction bracket	Rubber	
Inlet strainer	Stainless steel	1.4401
Shaft sealing	Dual mechanical seal	SiC - SiC

#### Electrical connection:

- 20 m rubber-jacket cable
- alternatively with phase reversing connector plug, with motor protection connector plug or with motor protection connector plug and float switch
- thermal overloads embedded in stator winding

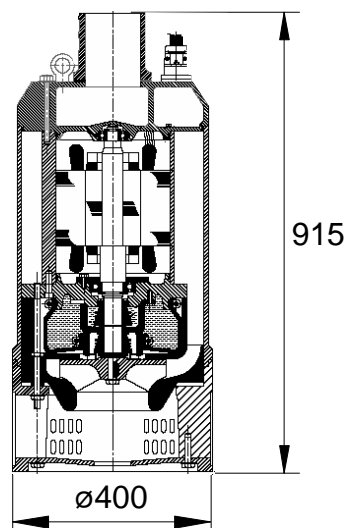
#### Characteristic curve:



#### Delivery data:

Q [m <sup>3</sup> /h]	0	10	20	30	40	50	70	85
Q [l/s]	0	2.8	5.5	8.3	11.1	13.9	19.4	23.3
H [m]	70	66	63	59	55	51	40	30

#### Main dimensions:



special design on request

Subject to alterations