

KOMATSU®

PC58UU-3

FLYWHEEL HORSEPOWER
29.4 kW 40 HP @ 2400 rpm

OPERATING WEIGHT
5230 kg 11540 lb

BUCKET CAPACITY
0.22 m³ 0.29 yd³



PC
58uu



Photos may include optional equipment.

COMPACT HYDRAULIC
EXCAVATOR

PC58UU-3 Compact Hydraulic Excavator

PRODUCTIVITY FEATURES

Bucket interference prevention system

The bucket automatically stops itself from contact with the cab/canopy. During operation, an alarm sounds and the equipment is stopped if the bucket gets too close to contact. This feature helps maintain operator confidence, which can increase productivity.



Height Limiter

An adjustable boom height limiter can be set prior to operation. When the boom reaches the pre-set height limit, an alarm will sound and the boom automatically stops. This function can help increase productivity by letting operators focus more on digging in tight or confined spaces.

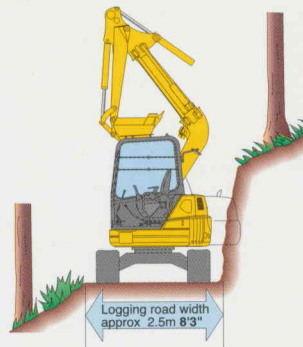
Digital Depth Display

Ditching, trenching, or digging is even more efficient with this automatic depth measurement system. Informing the operator of dig depth from ground level (absolute depth) and the depth from any pre-set point (relative depth) enables work to go much more smoothly and efficiently. This lessens the need for the operator to stop operation or leave the cab after each adjustment, which also increases productivity.



Tight implement swing and tail swing for superb operability in confined areas

Road Construction



Road & Bridge Work

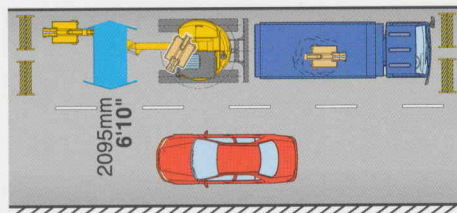


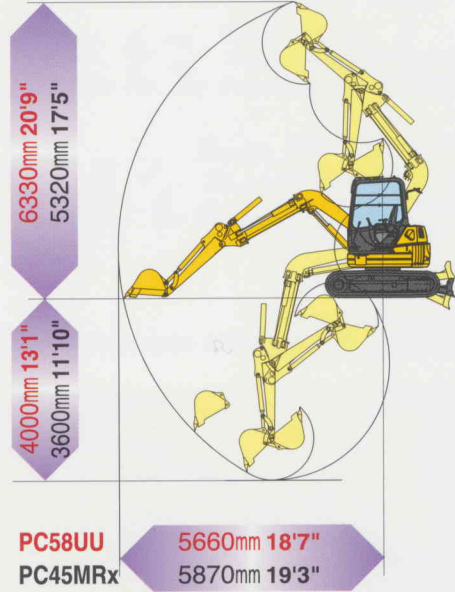
Photo shown includes optional steel shoes.



New pressure-compensated CLSS hydraulic system HydraulMind

Even when 2 or more actuators are operated simultaneously, the PC58UU-3's pressure-compensated CLSS system ensures that each actuator works according to its control input without affecting the size of the load. This gives the operator precise control at all times.

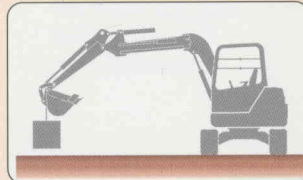
Extended reach working range



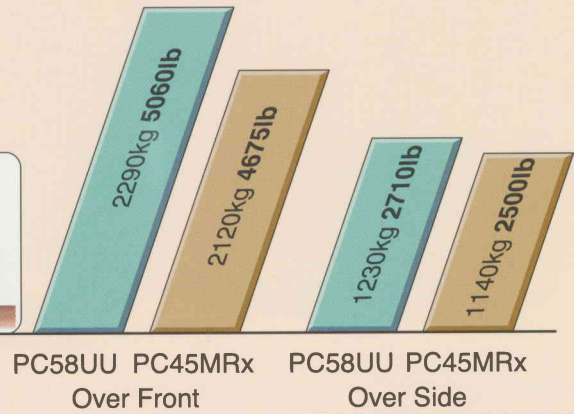
Back fill blade

The PC58UU features a standard back fill blade that can quickly and conveniently fill trenches and clear up jobsites.

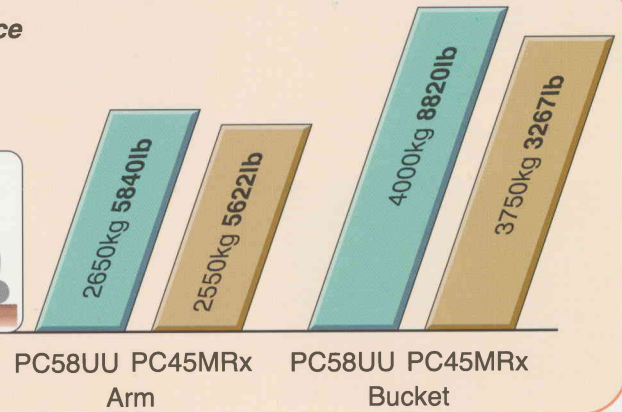
Higher lifting capacity



Reach: 3m 10'
Bucket hook high: 0m 0'
Blade on ground



Powerful digging force

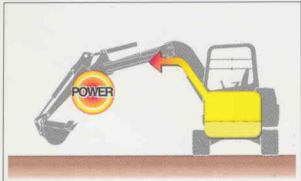


Engine speed sensing=Optimum Power

Power utilized by main pump is adjusted automatically in accordance with the engine speed. That means this computerized system keeps engine speed even under high load condition.

Engine speed sensing not installed

Engine speed sensing installed



Engine speed can be dropped under high load condition. Maximum pump power must be limited to prevent engine speed down.

Engine speed is maintained even under high load condition. Pump can utilize full potential power of engine all the time.

OPERATOR ENVIRONMENT

Spacious and comfortable operator area



Reclining suspension seat and seatbelt

Easy-to-clean, durability and ability to recline keeps operator comfortable.

Monitor panel



Engine-neutral-start function

Pressure Proportional Control lever



The control lever uses a fine-response PPC, to translate even the most subtle hand signals into motion. Short lever throw ensures comfortable operation.

Engine hood can be opened and closed even in confined areas



Wide-opening side hood makes everyday inspection simpler

EASY MAINTENANCE

Thin potentiometer adopted and built in



Hydraulic hoses built in

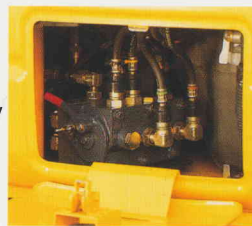


One fuel system inspection window for fast and easy maintenance



Control Pattern change Valve

Whether you are comfortable with ISO or SAE control patterns, you can easily and consciously change from one to the other.



Inclining track frame



The track frame is sloped so that dirt will not accumulate and can be removed easily.



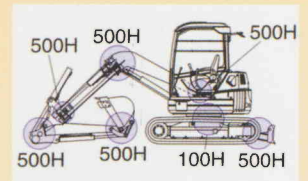
Larger opening reduces fuel back splash.

Easy Daily Check

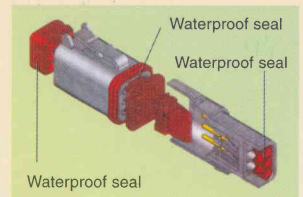
- ✓ Air cleaner with easily replaceable element
- ✓ Aluminum oil cooler and radiator are corrosion resistant and easy to clean
- ✓ Battery inspection window enables instant check of liquid level
- ✓ Large and accessible toolbox
- ✓ Control valve can be easily inspected
- ✓ Window washer tank is easy to check and refill

Reliability

Greasing intervals



DT connector



Water-resistant DT connectors are used for the parts which water will be splashed over.

Face seal



O-ring face seals having high sealing performance are used for the hydraulic piping joints.

OPTION

ROADLINER

Ideal performance has been achieved with combining the merits of rubber and the strengths of steel in the new Road Liner shoes. **Road Liners can last up to twice as long as rubber tracks under most normal operating conditions.**

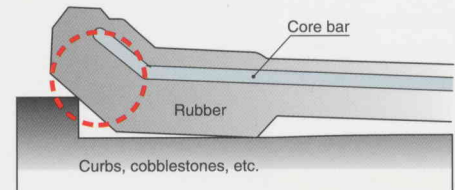
Similar to all rubber tracks, pavement is not easily damaged.

Replacement is fast and easy. Wide-ranging cost reductions are possible by replacing only the damaged or worn-out shoes, which differs from the need to replace a full rubber or steel track.



Reinforced type

Rubber thickness has been upgraded using a new type of core bar, and this section that is often sheared has been reinforced.



TOPS CAB



Upper-rail type sliding door opens and closes smoothly even in tight working conditions.



Hammer



Window washer, front



Room light



Cup holder



Coiled cord



Upward exhaust pipe

SPECIFICATIONS



ENGINE

Model	Komatsu 4D88E
Type	Water-cooled, 4-cycle, direct injection
Number of cylinders	4
Piston displacement	2.189 ltr 133.6 in³
Flywheel horsepower (SAE J1349 NET)	29.4 kW 40 HP @ 2400 min-1 2400 rpm



HYDRAULIC SYSTEM

Type	HydraMind (Hydraulic Mechanical Intelligence New Design) system, Closed-center system with load-sensing valve and pressure-compensated valve	
Main pump:		
Type	Variable displacement, axial piston	
Maximum flow	51 ltr/min x 2 = 102 ltr/min 27 USgal/min	
Type	Fixed displacement gear	
Maximum flow	33 ltr/min 8.7 USgal/min	
Auxiliary Hydraulic flow	50 ltr/min 13.2 USgal/min	
Valve rating :		
Relief valve setting	265 kg/cm ²	3768 psi
Bucket digging force (ISO)	4000 kg	8820 lb
Arm crowd force		
With Arm length 1620 mm 5'3.8"	2650kg	5840 lb



ELECTRICAL SYSTEM

Operating voltage	12 V
Battery	64 Ah
Alternator	40 A
Starter	2.0 kW



SWING SYSTEM

Driven method	Hydrostatic
Swing speed	10.0 rpm
180-degree swing width	2095 mm 6'10"



DRIVES AND BRAKES

Steering control	Two levers
Drive method	Fully hydrostatic
Hydraulic motors	Variable displacement, axial piston motors
Maximum drawbar pull	45.6 kN 4650 kg 10251 lb
Maximum travel speed: High	4.5 km/h 2.8 mph
Low	2.7 km/h 1.7 mph
Parking brakes	Hydraulic lock



UNDERCARRIAGE

Track Adjustment of the track tension	Grease
Number of shoes	38 each side
Number of carrier rollers	1 each side
Number of track rollers	5 each side
Ground Pressure	0.31 kg/cm ² 4.4 psi



OPERATING WEIGHT (APPROXIMATE)

Operating weight including 1620 mm 5'4 " arm, bucket with 0.22 m³ **0.29 yd³** ISO 754 capacity, blade, operator weight, liquids, full fuel tank, and standard equipment.

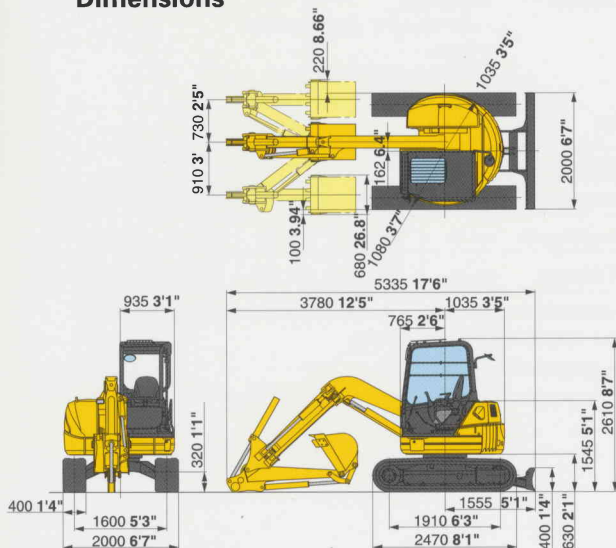
PC58UU-3	Shoe Width	Operating Weight
With TOPS Canopy	400 mm 15.7"	5230 kg 11,540 lb
With TOPS Cab	400 mm 15.7"	5290 kg 11,670 lb



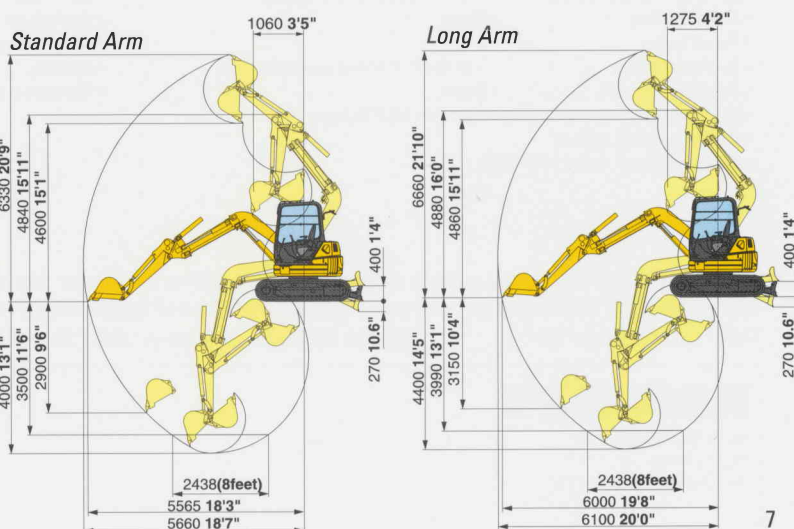
COOLANT AND LUBRICANT CAPACITY

Fuel tank	80 ltr 21.1 USgal
Radiator	6.5 ltr 1.7 USgal
Engine Oil (Exchange)	9.1(8.7) ltr 2.4(2.3) USgal
Hydraulic tank	64.0(38.0) ltr 16.9(10.0) USgal

Dimensions



Working Range



LIFTING CAPACITY

PC58UU-3		Arm : 1620mm 5'4"		Bucket width : 610mm 24.0"		Shoe width : 400mm 15.7"		Blade on ground		Unit : kg lb	
	1.5m 5'		3.0m 10'		4.6m 15'		Maximum				
	Cf	Cs	Cf	Cs	Cf	Cs	Cf	Cs	Cf	Cs	
4.6m 15'			*1380	*1380			*1030	*1030			
			*3050	*3050			*2290	*2290			
3.0m 10'			*1530	*1530	*1000	760	*990	660			
			*3380	*3380	*2200	1690	*2200	1450			
0.0m 0'	*1400	*1400	*2290	1230	*1470	650	*1360	500			
	*3080	*3080	*5060	2710	*3250	1430	*3010	1110			
-1.5m -5'	*1050	610	*2110	1170			*1410	610			
	*2320	1350	*4660	2590			*3110	1350			

*Load is limited by hydraulic capacity rather than tipping. Rated loads do not exceed 87% of hydraulic capacity or 75% of tipping load.

PC58UU-3		Arm : 1620mm 5'4"		Bucket width : 610mm 24.0"		Shoe width : 400mm 15.7"		Blade on ground		Additional counterweight	
	1.5m 5'		3.0m 10'		4.6m 15'		Maximum				
	Cf	Cs	Cf	Cs	Cf	Cs	Cf	Cs	Cf	Cs	
4.6m 15'			*1380	*1380			*1030	*1030			
			*3050	*3050			*2290	*2290			
3.0m 10'			*1530	*1530	*1000	830	*990	720			
			*3380	*3380	*2200	1840	*2200	1580			
0.0m 0'	*1400	*1400	*2290	1340	*1470	720	*1360	560			
	*3080	*3080	*5060	2970	*3250	1580	*3010	1230			
-1.5m -5'	*1050	680	*2110	1290			*1410	670			
	*2320	1500	*4660	2850			*3110	1490			

*Load is limited by hydraulic capacity rather than tipping. Rated loads do not exceed 87% of hydraulic capacity or 75% of tipping load.

PC58UU-3		Arm : 2070mm 6'9"		Bucket width : 563mm 22.2"		Shoe width : 400mm 15.7"		Blade on ground			
	1.5m 5'		3.0m 10'		4.6m 15'		Maximum				
	Cf	Cs	Cf	Cs	Cf	Cs	Cf	Cs	Cf	Cs	
4.6m 15'					*1090	620	*2020	840			
					*2410	1370	*910	1850			
3.0m 10'			*1260	*1260	*1110	740	*880	510			
			*2790	*2790	*2450	1630	*1950	1130			
0.0m 0'	*1470	*1470	*2140	1160	*1370	580	*1170	370			
	*3250	*3250	*4720	2560	*3020	1280	*2580	830			
-1.5m -5'	*2370	*2370	*2110	1060	*1280	540	*1230	440			
	*5220	*5220	*4660	2340	*2840	1190	*2720	980			

*Load is limited by hydraulic capacity rather than tipping. Rated loads do not exceed 87% of hydraulic capacity or 75% of tipping load.

PC58UU-3		Arm : 2070mm 6'9"		Bucket width : 563mm 22.2"		Shoe width : 400mm 15.7"		Blade on ground		Additional counterweight	
	1.5m 5'		3.0m 10'		4.6m 15'		Maximum				
	Cf	Cs	Cf	Cs	Cf	Cs	Cf	Cs	Cf	Cs	
4.6m 15'					*1090	680	*910	910			
					*2410	1510	*2020	2000			
3.0m 10'			*1260	*1260	*1110	810	*880	570			
			*2790	*2790	*2410	1780	*1950	1250			
0.0m 0'	*1470	*1470	*2140	1270	*1370	640	*1170	420			
	*3250	*3250	*4720	2820	*3020	1430	*2580	940			
-1.5m -5'	*2370	*2370	*2110	1170	*1280	610	*1230	500			
	*5220	*5220	*4660	2590	*2840	1340	*2720	1110			

*Load is limited by hydraulic capacity rather than tipping. Rated loads do not exceed 87% of hydraulic capacity or 75% of tipping load.

STANDARD EQUIPMENT

- Air cleaner, single element
- Cooling fan, suction type
- TOPS Canopy
- Travel alarm
- Rearview mirror
- Suspension seat
- Seat belt 3"
- Engine sensing system
- Pattern change valve (ISO-SAE)
- Bucket interference prevention system
- Depth measurement system
- Blade
- Arm, -1620mm 5'4" arm assembly
- Shoes, -400mm 15.7" Rubber

OPTIONAL EQUIPMENT

- Air cleaner, double element
- TOPS cab
- Cab heater
- Air conditioner
- Ashtray
- Window washer, front
- Long arm, -2070mm 6'9" arm assembly³
- Shoes, -400mm 15.7" Road Liner
- -400mm 15.7" Triple grouser

PC58UU-3									
Bucket Capacity	m ³ yd ³	0.055	0.07	0.13	0.17	0.16	0.21	0.22	0.29
Without Sidecutter	mm in	300 12	410 16	580 23	610 24				
With Sidecutter	mm in	370 15	480 18	650 26	680 27				

This specification sheet may contain attachments and optional equipment that are not available in your area. Please contact your local Komatsu Utility distributor for those items you may require. Materials and specifications are subject to change without notice.

Form No. KUSS127-00

© 2002 Komatsu Printed in USA PLI (5M)3/02 (1.5M)9/02PAL (5M)6/03C

3/02(EV-1)

KOMATSU®

440 N. Fairway Drive
PO Box 8112
Vernon Hills, IL 60061-8112

