

Volvo Construction Equipment
Building Tomorrow



P6820D_{ABG}, P7820D_{ABG}

Volvo Tracked Pavers 2.5-11.0 m 140-175 kW



Volvo puts you in control

Be in complete control of your paver with Volvo's technologically-advanced features, designed for simple operation and maximum efficiency. Combining the next generation Electronic Paver Management system (EPM3) and the Settings Manager feature with a low-noise operator environment and all-around visibility, the P6820D/P7820D ABG is the ultimate package.

Get set and go

Experience consistent, high quality paving job-to-job with Settings Manager, capable of storing customized settings for individual projects. Begin paving quickly with this integrated feature, which simplifies the initial machine setup by enabling operators to recall saved parameters within EPM3 when facing similar paving jobs. Once paving is underway, fine tuning can be made to optimize performance and productivity.



High power, high comfort

Achieve high paving performance at remarkably low noise levels with the P6820D/P7820D ABG. By matching the engine output to the actual need, the adaptive ECO Mode and optimized RPM reduce noise levels, benefiting the paving crew and local community alike. For a comfortable work environment, the canopy offers built-in sound insulation, while the automatic track tensioner reduces vibrations to ensure a smooth operation.



Every angle in view

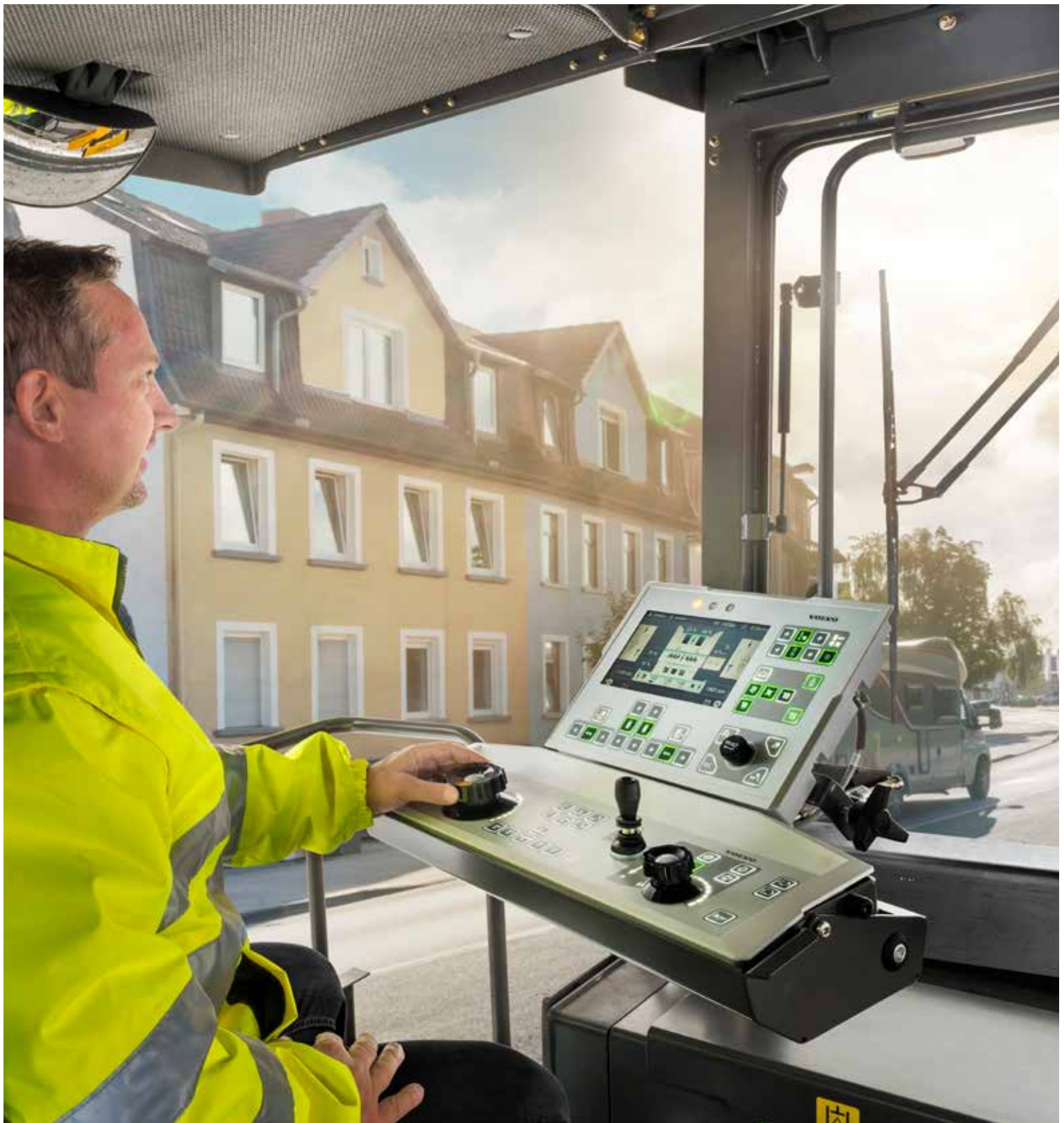
From the operator platform, experience unhampered visibility around the paver, hopper, auger channel and screed. The newly designed engine hood offers superb visibility to the hopper, enabling the operator to check material supply and flow at a glance. Meanwhile, the new glazed area to both sides of the operator platform offers even greater visibility, optimizing overall efficiency and jobsite safety.



See more, do more

Pave with precision day or night with six standard work lights and optional balloon lights, offering increased visibility, safety and convenience. The LED lights are brighter and longer-lasting, so you can see and do more in low-light conditions. The home lights, located below the weather roof, illuminate the platform for three minutes once the main switch is turned on and after the ignition is turned off.





INTUITIVE OPERATION

Take control of your operation with the new Electronic Paver Management (EPM3) system. All control buttons for all functions are consolidated within one system and arranged in a bird's-eye view layout to guide the operator intuitively through individual working functions. Using the jog wheel, quickly select and adjust functions for greater machine control, ease of use and optimum efficiency.



POWER TO PERFORM

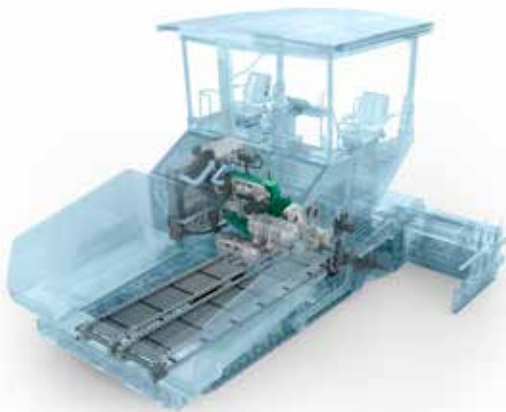
Power your operation with the fuel-efficient Volvo engine, specifically tuned to the hydraulic system. Built by Volvo for Volvo, the premium engine combines high torque and low RPM for superior, long-lasting performance. Reduce fuel consumption and increase productivity with advanced, built-in features, such as the adaptive ECO Mode, which matches engine output to jobsite requirements, giving you the power to perform.

Long-lasting paving performance

Built on high-performance components, the P6820D/P7820D ABG is designed to boost productivity while reducing fuel consumption, noise and operating costs. With over half a century of paving experience and innovative engineering, this paver achieves long-lasting performance.

Durably efficient

Optimize uptime and machine lifetime with Volvo powertrain and the improved hydraulic system, offering unrivalled durability and performance. The powertrain feature complements the hydraulic system, which is perfectly matched to the Volvo engine to provide high performance, low fuel consumption, emissions and noise.



Efficiently cool

Count on the P6820D/P7820D ABG to keep cool while operating in extreme temperatures and altitudes. The cleverly-designed engine compartment and hood provide ample space for continuous air circulation from the adaptive cooling fan, allowing the engine and hydraulics to cool effectively, even at high ambient temperatures. Plus, this feature reduces noise, boosts machine lifetime and optimizes efficiency of the hydraulic system.



Faultless finish

Rely on the durably-designed P6820D/P7820D ABG paver for a consistent, high quality paving surface. Combining several features, including the automatic track tensioning system, large hopper capacity and Soft Dock, you can depend on the paver to deliver a smooth, even surface.



The perfect assistant

Unlock the full potential of your machine's productivity with Pave Assist, designed specifically for Volvo pavers. Pave Assist provides a powerful set of tools - including Thermal Profiling, Weather View and Material Manager - to improve performance, efficiency and paving quality.



Supreme screed technology

Take your paver's performance to the next level with Volvo screeds. Whether equipped with a single or double tamper screed, your P6820D/P7820D ABG combines optional hydraulically controlled end gates, Volvo quick coupling system, and special profiles to deliver versatility and a smooth, high quality surface.

Designed for durability

Achieve material target density with Volvo's specially-designed tamper bars, fully hardened for lasting durability. Depending on application and condition, choose from the single or double tamper screeds to ensure a smooth, uniform surface. The double tamper screed offers the highest levels of compaction density behind the screed, which is essential when paving thick asphalt and cement-treated base (CTB) material.



Safe and in control

Improve controllability and operator safety with the new hydraulically controlled end gates. Forget about manually adjusting screed end gates – the control to this optional feature is integrated into the Screed Control Unit, which requires less effort, delivers faster handling for the screed operator and ensures a clean side finish. Plus, it keeps operators safely away from traffic when operating closely alongside.



Quick and easy changes

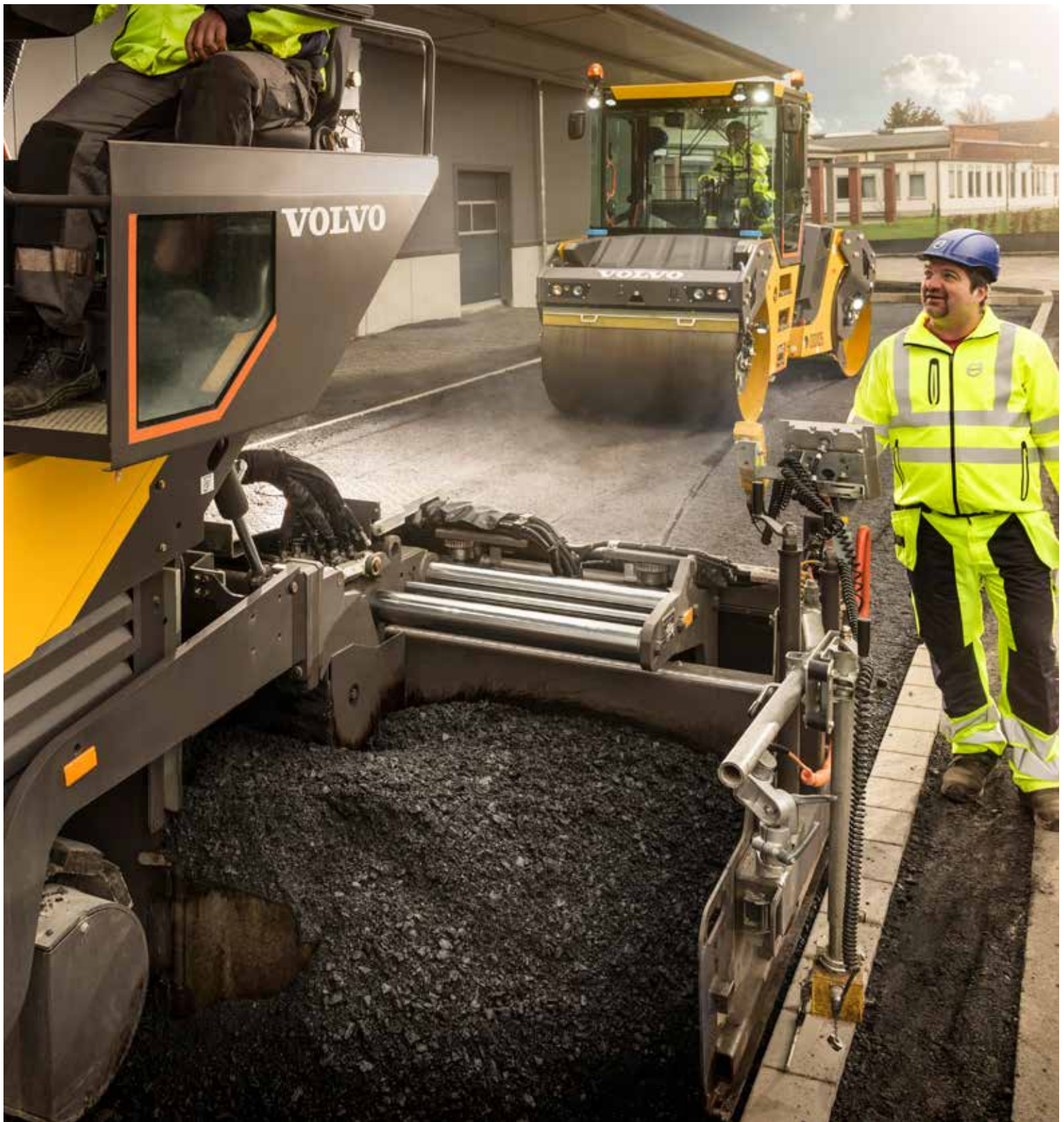
Add or remove screed extensions in minutes with no special tools required thanks to Volvo's quick coupling system. This feature enables paving crew members to change extensions quickly, efficiently and safely, saving valuable time and money.



Special profiles

The VB 79/89 and VDT-V 79/89 screeds are the perfect choices when needing to pave special crown profiles in road surfaces. The extendable screeds feature two additional articulated sections and are adjustable upwards or downwards by 10% (5.7°), creating the possibility for paving irregular profiles – such as special drainage requirements – with greater ease, less material used and at a lower cost.





ENGINEERED FOR EFFICIENCY

Built on decades of engineering excellence, Volvo screeds deliver the best pavement quality, uniformity and smoothness. Versatile and effective in paving widths up to 11 meters, the P6820D/P7820D ABG features industry-leading screeds, capable of handling a wide range of materials. Volvo Variomatic screeds have eight guide tubes, four for each hydraulic extension, which contribute to a consistent, uniformly compacted smooth surface.



MACHINE MONITORING MADE EASY

Stay ahead of unscheduled downtime and check that your machine is being operated efficiently with CareTrack telematics system. Remotely receive reports on the machine location, usage, productivity, fuel consumption and more to boost machine uptime. Using MATRIS diagnostic software, your Volvo dealer analyzes your machine's operational data to help identify improvement areas, for optimized operations.

Keep your paver up and running

To keep machines efficient and increase longevity, Volvo offers a number of component life-extending features as well as quick and easy maintenance. With smart systems like CareTrack® and the Service Interval Manager, plus a range of services, it's easy to keep your hardworking P6820D/P7820D ABG paver up and running.

Service Interval Manager

Stay informed of servicing requirements and maximize machine uptime with Service Interval Manager. A dedicated display on the EPM3 paving panel alerts the operator of required or scheduled maintenance, and is recorded on the system, which retains a service history record. And, with the fuel-theft prevention system, you will be notified if fuel has been stolen, helping you avoid unwanted and costly downtime.



State-of-the-art servicing

Maximize uptime with quick and safe servicing. Improved service access to essential checkpoints via the wide-opening on top of the platform provides ease of maintenance, reduces downtime and minimizes operational costs. Quickly access every ignition and service hatch across an entire fleet with a single key.



Volvo – a partner to trust

Volvo is here to support you whenever you need it. As a complete solutions provider, we listen to your requirements to ensure machine uptime and availability. With our extensive dealer coverage, parts availability and trained technicians, Volvo has a comprehensive network to fully support you using local knowledge and experience.



Care kits

Replacing only major or visibly worn parts and not those around them can stress the replaced parts, significantly reducing your machine's lifetime. Ensure optimum part performance and life with Volvo Care Kits for wear parts and eliminate the guess work of which parts to replace by having them all on hand in a single package. Save time, lower costs, and receive the latest technical improvements with just one kit.



Take performance to the next level

Every angle in view

From the operator platform, experience all-around visibility around the paver, hopper, auger channel and screed.

See more, do more

See and do more in low-light conditions with LED lights and secure safety with the convenient home lights.

MACHINE MONITORING MADE EASY

Remotely receive reports on your machine's location, usage, productivity, fuel consumption and more with CareTrack.

Designed for durability

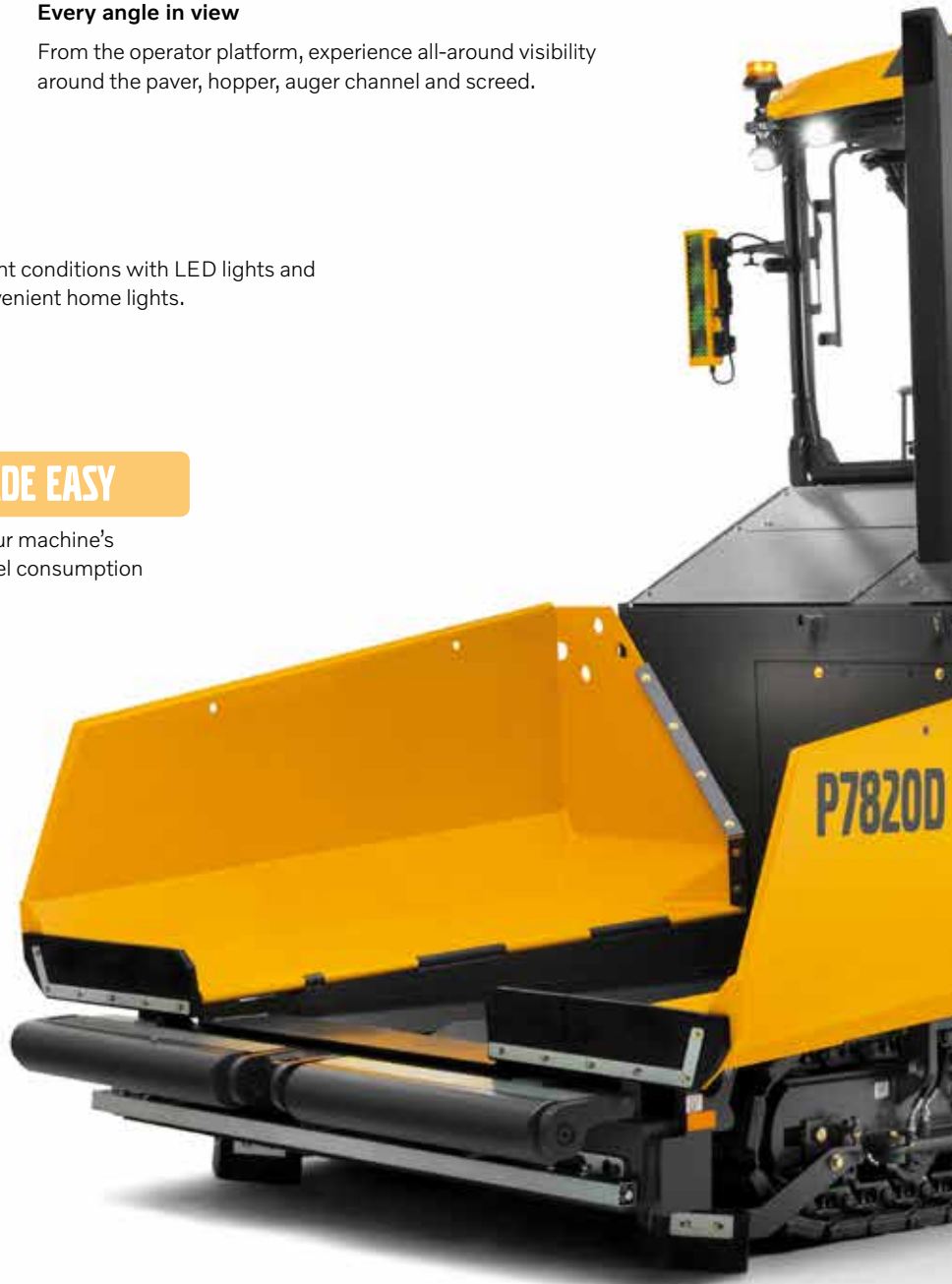
Depending on application and condition, choose from the single or double tamper screeds for a smooth, uniform surface.

POWER TO PERFORM

Volvo's quiet and efficient engine gives you more power while consuming less fuel thanks to advanced, built-in features.

ENGINEERED FOR EFFICIENCY

Rely on Volvo screeds, built on decades of engineering excellence for the best surface quality, uniformity and smoothness.



Efficiently cool

Even at high ambient temperatures, the adaptive cooling fan allows the engine and hydraulics to cool effectively.

The perfect assistant

Pave Assist combines Thermal Profiling, Weather View and Material Manager to boost productivity and paving quality.

Special profiles

The VB 79/89 and VDT-V 79/89 screeds are the perfect choice when needing to pave special crown profiles in road surfaces.

INTUITIVE OPERATION

Control paving performance with EPM3, which consolidates all control buttons within one system for optimum efficiency.



Safe and in control

Improve controllability and operator safety with the new hydraulically controlled end gate feature, available as option.

State-of-the-art servicing

Maximize uptime with quick and safe servicing thanks to improved service access and single key.

Volvo P6820D_{ABG}, P7820D_{ABG} in detail

Engine			
		P6820D ABG	P7820D ABG
Manufacturer		Volvo	Volvo
Model		D6J	D8J
Fuel		Diesel	Diesel
Output	kW	140	175
	hp	190	238
at engine speed	r/min	2 000	1 800
Coolant		Liquid	Liquid
Fuel tank capacity	l	250	250
Exhaust emission		EU Stage V	EU Stage V
Paving			
		P6820D ABG	P7820D ABG
Output (theoretical)*	t/h	700	900
Mat thickness (max)	mm	300	300
Speed			
		P6820D ABG	P7820D ABG
Paving (max)	m/min	20	20
Transport (max)	km/h	3.3	3.6
Undercarriage			
		P6820D ABG	P7820D ABG
Length	mm	3 000	3 000
Width (track plates)	mm	300	300
Conveyor			
		P6820D ABG	P7820D ABG
Hopper capacity	t	13.5	13.5
Number of conveyors		2	2
Conveyor speed (max)	m/min	23	23
Auger			
		P6820D ABG	P7820D ABG
Speed (max)	1/min	95	95
Diameter	mm	360	360
Electrical system			
		P6820D ABG	P7820D ABG
Battery voltage	V	24	24
Dimensions			
		P6820D ABG	P7820D ABG
Length with Vario Screed (Walkway up)	mm	6 120	6 120
Width	mm	2 548	2 548
Height	mm	3 785	3 785
Height (transport)	mm	2 934	2 934
Weight**			
		P6820D ABG	P7820D ABG
Tractor unit	kg	14 350	14 900
Max. allowable gradeability***			
		P6820D ABG	P7820D ABG
Tractor unit + screed	%	25	25
Sound Level			
		P6820D ABG	P7820D ABG
Sound Pressure Level at Driver's Ear, acc. to ISO 11201			
LpA	dB	82	83
Guaranteed Sound Power Level, acc. to Directive 200/14/EC			
LwA	dB	105	105

Notes

* The actual paving output depends upon the mat thickness, the paving width and paving speed and will vary according to paving conditions prevailing on your jobsite. Please approach us and we will be pleased to assist you in calculating the paving output for your particular paving project.

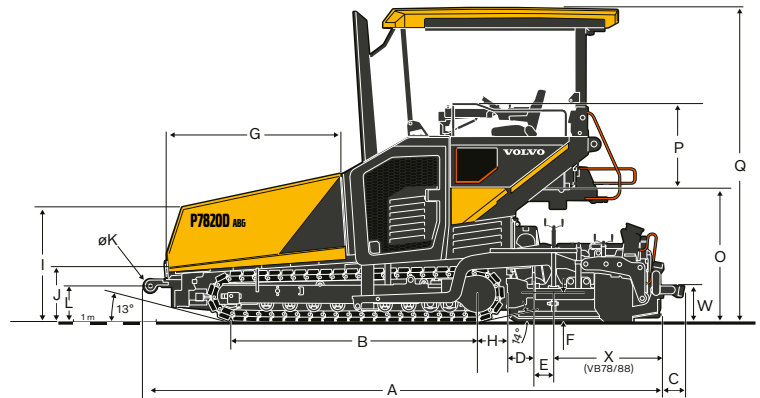
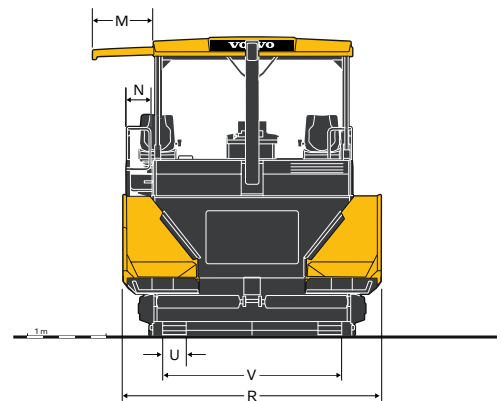
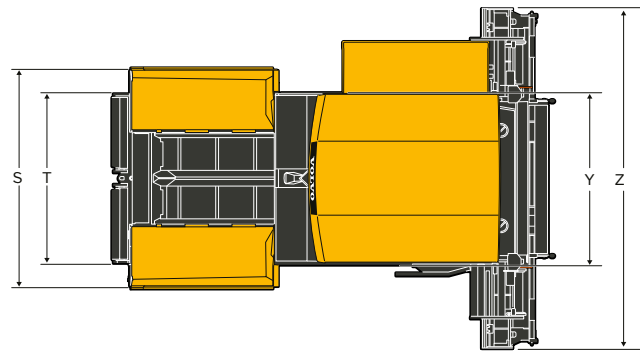
** All weights are approx. weights without options. Weight of tractor without screed, with standard hopper, with fuel tank half full, with towing arms separated, with push roller D=110 mm, and incl. 75 kg driver.

*** Applies to screed VB 78 2.5-5.0 m. When using extensions the max. allowable gradeability will be reduced.

Specifications

DIMENSIONS

		P6820D ABG and P7820D ABG
Unit	mm	
A	Standard	6 120
	Soft Dock	6 244
B		3 000
C		268
D		275
E		265
F		360 ± 60
G		2 151
H		398
I		1 385
J		607
K		160
L		436
M		770
N		320
O		1 615
P		1 025
Q	up	3 785
	down	2 934
R	open	3 256
	closed	2 452
S		3 169
T		2 495
U		300
V		2 269
W		438
X		1 280
Y		2 500
Z		5 000



OPERATING WEIGHTS¹ OF SCREEDS IN KG

At working width	2.5 m	4 m	5 m	6 m	6.5 m	7 m	7.5 m	8 m	8.5 m	9 m	10 m	11 m
P6820D ABG												
VB 78 ETC	-	-	3 600	-	5 222	-	5 782	6 342	-	6 903	-	-
VDT-V 78 ETC	-	-	3 720	-	5 442	-	6 032	-	-	-	-	-
VB 79 ETC	-	-	3 730	-	5 352	-	5 912	6 472	-	7 033	-	-
VB 88 ETC	-	-	-	3 820	-	-	5 542	-	6 102	6 662	-	-
VDT-V 88 ETC	-	-	-	4 450	-	-	6 272	-	-	-	-	-
MB 122	1 800	3 065	-	4 752	-	5 595	6 017	6 439	-	7 282	8 126	-
P7820D ABG												
VB 78 ETC	-	-	3 600	-	5 222	-	5 782	6 342	-	6 903	-	-
VDT-V 78 ETC	-	-	3 720	-	5 442	-	6 032	6 662	-	7 253	-	-
VB 79 ETC	-	-	3 730	-	5 352	-	5 912	6 472	-	7 033	-	-
VDT-V 79 ETC	-	-	4 100	-	5 822	-	6 412	7 072	-	7 633	-	-
VB 88 ETC	-	-	-	3 820	-	-	5 542	-	6 102	6 662	7 223	-
VDT-V 88 ETC	-	-	-	4 450	-	-	6 272	-	6 862	7 492	-	-
VB 89 ETC	-	-	-	4 200	-	-	5 922	-	6 482	7 042	-	-
VDT-V 89 ETC	-	-	-	4 570	-	-	6 392	-	6 982	7 612	-	-
MB 122	1 800	3 065	-	4 752	-	5 595	6 017	6 439	-	7 282	8 126	8 969
VDT 121	2 100	-	-	5 052	-	-	6 317	-	-	7 582	-	-

¹ Including auger extensions, channel plates, end gates, towing arms rear, etc.

Equipment

STANDARD EQUIPMENT		
	P6820D ABG	P7820D ABG
Engine		
Volvo Diesel engine, EU Stage V	•	•
Drive		
Electronic drive control	•	•
Lifetime lubricated crawler track rollers	•	•
Forged and hardened crawler track links	•	•
Automatic track tensioner	•	•
Material Management		
Proportional conveyor sensors	•	•
Four individual hydrostatic drives for conveyors and augers	•	•
Reversible direction of auger rotation	•	•
Hydraulic auger height adjustment	•	•
Proportional ultrasonic sensor auger control	•	•
Electrics and electronics		
Electronic Paver Management (EPM 3)	•	•
ECO mode	•	•
Settings Manager	•	•
Service Interval Manager	•	•
Adjustable and revolving main control panel at operator platform	•	•
Two adjustable and revolving screed control panels	•	•
Battery master switch	•	•
Electric switch cabinet	•	•
MATRIS	•	•
Structure		
All-weather roof of GRP (glass-fibre reinforced plastic)	•	•
Two seats, laterally extendable	•	•
Anti-vandalism kit	•	•
Near field mirrors at weather roof	•	•
Volvo Green Key	•	•
Screed		
Split towing arms	•	•
Screed lock	•	•
Hydraulic height adjustment of extendable screed	•	•
Lights		
Operator's platform lighting	•	•
Home light function	•	•
Environmental		
Sound insulation	•	•

OPTIONAL EQUIPMENT		
	P6820D ABG	P7820D ABG
Material Management		
Smart Dock	•	•
Soft Dock	•	•
Heavy push rollers	•	•
Individual operating hopper wings	•	•
Hydraulically operated front apron	•	•
Auger quick lock system	•	•
Heavy duty auger	•	•
Protective half shells for auger shaft	•	•
Auger extensions and additional auger bearings	•	•
Heavy duty conveyor cover	•	•
Reversible conveyor	•	•
Central lubrication	•	•
Electrics and electronics		
Four 230V power sockets	•	•
Lateral emergency stop	•	•
High ambient temperature fan	•	•
CareTrack - GSM installation	•	•
CareTrack - Satellite installation	•	•
Pave Assist (Volvo Co-Pilot system)	•	•
Volvo Smart View camera system	•	•
Levelling equipment	•	•
Transport case for EPM control panels	•	•
Structure		
Deluxe seats with heating	•	•
Front windscreen	•	•
Tarpaulin side curtains for weather roof	•	•
Custom colours	•	•
Electrohydraulic powered weather roof	•	•
Front ballast weight	•	•
Screed		
Screed spacer blocks	•	•
Screed assist	•	•
Screed anti-climbing lock	•	•
Screed load device	•	•
Screed tensioning device	•	•
Hydraulic crown adjustment VB screeds	•	•
Special profiles VB79, VB89	•	•
Hydraulically adjustable Power-Float screed end gates	•	•
Heatable screed end gate	•	•
Foldable screed walkway	•	•
Lights		
Warning beacons LED	•	•
Warning beacons Halogen	•	•
Two balloon lights LED	•	•
Six worklights LED at weather roof	•	•
Six worklights Halogen at weather roof	•	•
Four additional worklights LED at weather roof	•	•
Four additional worklights Halogen at weather roof	•	•
Two additional worklights LED at rear frame	•	•
Two additional worklights Halogen at rear frame	•	•
Two additional auger worklights LED at rear frame	•	•
Two additional auger worklights Halogen at rear frame	•	•
Portable worklight LED with magnetic base	•	•
Portable worklight Halogen with magnetic base	•	•
Environmental		
Extractor for bituminous fumes	•	•
Emulsion spraying system	•	•
High performance spray cleaning unit	•	•
Biodegradable hydraulic oil	•	•

SELECTION OF VOLVO OPTIONAL EQUIPMENT

Electro hydraulic weather roof



Levelling equipment



Hydraulic end gates



Fumes extractor



Smart Dock



Front windscreen and weather protection



Not all products are available in all markets. Under our policy of continuous improvement, we reserve the right to change specifications and design without prior notice. The illustrations do not necessarily show the standard version of the machine.

VOLVO

Volvo Construction Equipment

volvo.com