

NOVACAT NOVADISC

PÖTTINGER mower combinations



97+017.en.0814



Find out more online


PÖTTINGER



High performance with excellent cost effectiveness

The PÖTTINGER mower combinations are both productive and economical. The high level of user convenience, ingenious details, wide range of applications, strength and first-class cutting quality make these mower combinations one of the most productive in their class.

NOVADISC 730 / 810

The low drag resistance NOVADISC mower combinations without conditioners deliver high output and a clean cut at the lowest power consumption.

NOVACAT S10 / S12 – the fuel saver

PÖTTINGER sets new standards in terms of productivity and efficiency. The NOVACAT S12 is the largest mounted mower combination available on the market.

NOVACAT X8 / V10

Equipped with conditioners and swath merging, these mower combinations are even more versatile.

Contents

	Page
PÖTTINGER cutter bars	4
Mower combinations without conditioners	
NOVADISC 730 / 810	8
NOVACAT S10 / S12	12
Mower combinations with conditioners	
NOVACAT X8	16
NOVACAT V10	22
Terminals	24
Technical data / Equipment	26

PÖTTINGER cutter bars

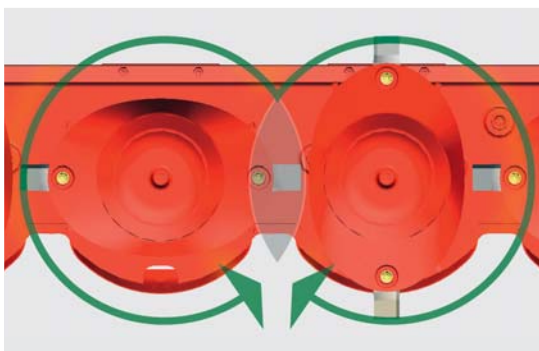
Quality made in Austria



The heart of PÖTTINGER disc mowers is the cutter bar, proven over thousands of cuts in the field. NOVACAT disc mower cutter bars are developed and built at the company's main plant in Grieskirchen - a quality product made in Austria. First-class cutting quality, low drag resistance and strength are the trademarks of these cutter bars. Engineered details guarantee you reliable operation and contribute significantly to an extended service life.

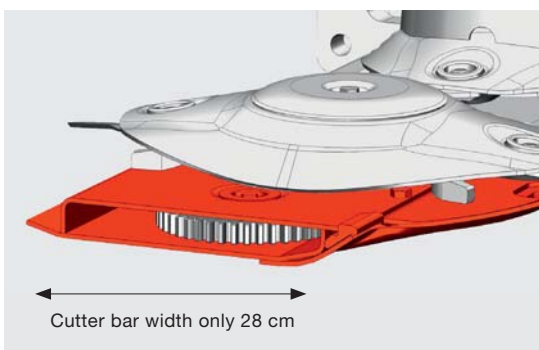
Optimum crop flow – clean forage

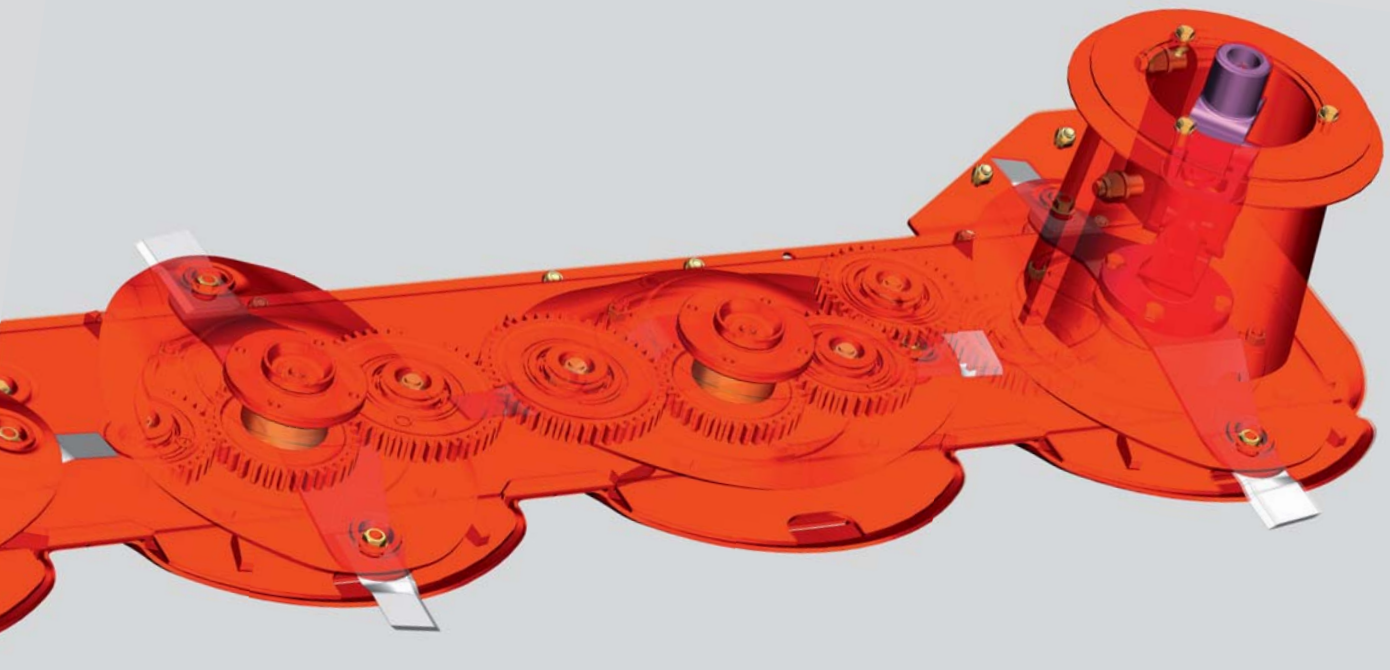
The rounded, low profile front edge lets the cutter bar glide smoothly over the ground and separates the crop tidily from the sward. The conveyor effect has been improved by the rounded conical surfaces of the mower discs. The crop flows through smoothly and uniformly, maintaining full cutting capacity in all operating conditions. Integrated paddles keep the cutter bar surface clean.



Perfect cutting quality

The sleek cutter bar is only 11.02" / 280 mm deep, perfect for enabling the best possible ground tracking. The mower blades rotate very close to the surface of the cutter bar and the counter blade. The optimised overlap of blade paths ensures a clean and uniform mowing pattern.





Engineered to impress

Durable mower discs

The oval, low profile mower discs are made of hardened fine-grained steel. Quick-change blades make maintenance easy.

Optional paddle cones

These improve the crop flow and enable swath formation.

High-strength stub shafts

The stable stub shafts are bolted to the gears and are thus easy to replace when required.

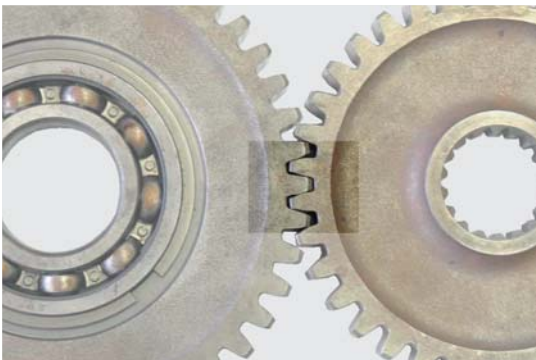
Heavy-duty bearings

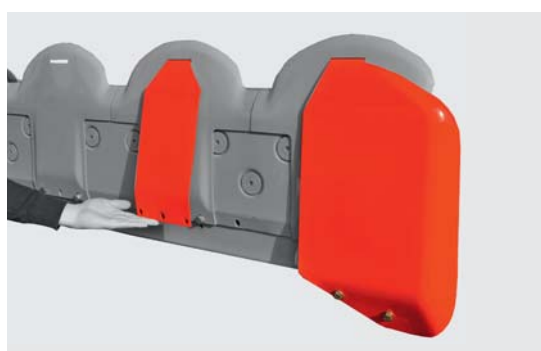
Durable, twin race tapered bearings with a theoretical bearing spacing of 2.36" / 60 mm are extremely stress-resistant.

Reliable power transmission

The spur gear drive runs in a straight line with virtually the same sized gears.

There are always two teeth in contact with a tooth width of 0.78" / 20 mm. All gears are hardened and machined for smooth running and a long service life.





Wear resistant skids

Wide skids made from hardened boron steel to resist impact and prevent the build-up of soil. Because the underside of the cutter bar is smooth with contoured skids inside and outside, it protects the sward even on tight corners.

As an option, you can fit additional wear skids to protect the underside of the cutter bar. The bolted skids can be easily changed if required.

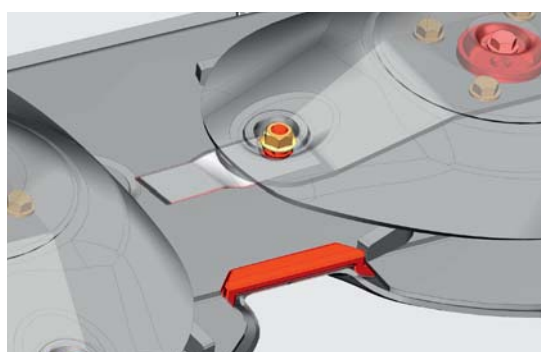
Optional high-cut skids can be mounted to increase the cutting height from 1.96" to 3.14" / 50 to 80 mm. Their large radius and wide surface area make them especially wear resistant.



Top quality

The cutter bar is made from the best quality steel. The metal plate is precision laser-cut and robot-welded before machining at the state-of-the-art CNC machining centre.

- The blade pin is bolted to the mower disc. This can be replaced cost-effectively if required.
- The counter knife is clamped in place, meaning it is also easy to replace.





NOVACAT S10



Easy with quick-change blades

Change blades quickly and easily: Press down the spring clip with the blade tool and replace the blade.

- The blade is locked securely in place by the spring clip.
- Lengthy, tough operation demands the best blade quality, which is why original PÖTTINGER blades are made from high-quality blade steel.
- A handy blade box provides space for replacement blades.



Maintenance-friendly

The guards fold away to provide optimum access to the cutter bar.

Practical modular design

The bearing flange and fittings are reliably protected by rubber o-ring seals. The gears and bearings can be removed as one unit, while the idler gears are easily removed through the openings - it could not be more straightforward.



Models without conditioners



NOVADISC 730 / 810

Lightweight and low resistance



NOVADISC mower combinations meet market requirements where no conditioning is needed. Their trademark is lightweight construction and side mounting.

Ground tracking

Pressure on the ground can be adjusted by setting the lower linkage arm height and the weight alleviation springs. Two weight alleviation springs guarantee excellent ground tracking of the cutter bar, even when mowing embankments. One of the weight alleviation springs features infinitely variable adjustment.



Cutter bar lowers on outside first

NOVADISC lifting system

The mower is lowered so that the outer end of the cutter bar contacts the ground first. At the headland, the inside end is lifted first, providing optimum protection of the sward.



Heavy-duty intake section

Smooth running and reliable

A key feature is the lightweight cutter bar without inside shoe. The cutter bar gearbox is behind the first mower disc. This means you can mow into corners and over rough ground no problem. The belt drive system operates efficiently and smoothly. A heavy-duty intake section ensures high strength.



NOVADISC 730



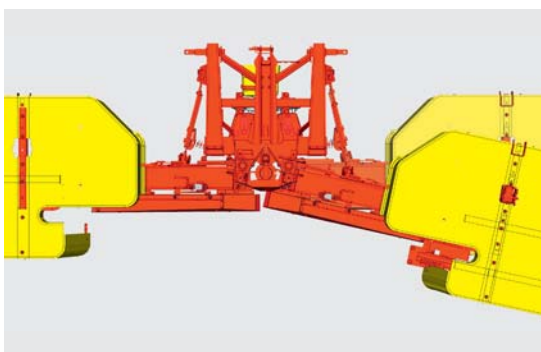
Rugged and adaptable

Mounting points at each end of the cutter bar protect it against twisting. As a result, the gears and bearings are subjected to less stress to guarantee smooth operation and a long service life. The wide arc of movement enables easy mowing on rough surfaces and embankments.



Ingenious headstock

- Practical PTO shaft holder makes hitching up easier.
- A handy blade box provides space for replacement blades.
- The blade tool is kept on the machine.
- PTO shaft lubrication interval has been increased to 150 hours. The PTO shafts are easily accessible and easy to maintain.



Collision safety device protects against damage

Mechanical collision protection on both sides provides approx. 12° of pivot arc. Damage to the mower is thus avoided in the event of a collision. After it has been triggered, simply reverse a short distance to engage the cutter bar again.



NOVADISC 810



Convenient and straightforward

The guards fold away to provide optimum access to the cutter bar. This makes it possible to clean the machine thoroughly and change blades quickly and easily.

For your safety

The guard curtains are made from especially tough material to reliably catch stones and soil.

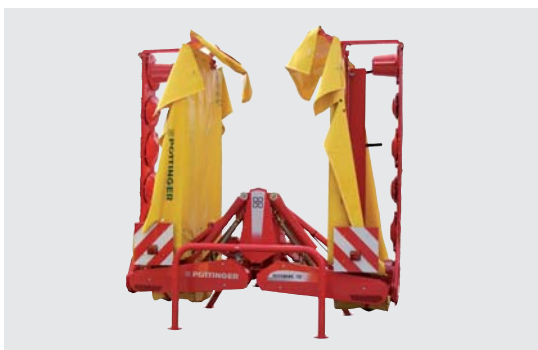


Safe and practical

The cutter bar is raised using a single-acting hydraulic connection. An optional electrical preselect function lets you choose between parallel or individual lifting. A mechanical interlock provides the necessary safety during road transport. The outer guards can be folded inwards to reduce transport height. Lighting is standard equipment.

Space-saving parking

For especially compact storage, the mower can be parked on optional parking stands.





NOVACAT S10 NOVACAT S12

The largest mounted mower combinations



PÖTTINGER sets new standards in terms of productivity and efficiency. The NOVACAT S12 with centre pivot suspension is the largest mounted mower combination available on the market. The new "fuel saver" gives you a full working width of 36.74' / 11.20 m with a power requirement of just 160 hp and the lowest fuel consumption. The NOVACAT S10 only needs 130 hp

NOVACAT S12 advantages at a glance:

- The largest mounted mower combination
- Highest productivity – up to 32 acres / 13 ha/h
- Lowest power requirement – from 130 hp / 160 hp
- Lowest diesel consumption – only .75 gal/2.47 acres 2.0 l/ha
- Compact transport width – only 7.21' / 2.20 m



Perfect ground tracking

The centre pivot mounting on the cutter bars provides a travel of +/- 22.5° for perfect ground tracking. At the same time, infinitely adjustable hydraulic weight alleviation ensures optimum ground contact pressure across the entire mowing width. This "floating cut" guarantees excellent ground and crop protection.



Safe at work

The hydraulic rear folding system includes a collision protection system.



5190 cm ground clearance

At the headland, ground clearance is 19.68" / 500 mm. During lifting, the cutter bar is secured using a stabilizer cylinder. This makes it easier to drive over swaths and provides stability during transport.

Compact during transport

For transport, the mower can be folded backwards. The front guards then automatically fold up hydraulically. This gives you a narrow transport width of only 7.21' / 2.20 m and a high ground clearance during transport. Lighting is standard equipment.



Straightforward operation

This system is conveniently operated using a double-acting remote valve. Individual unit lifting and the transport position are preselected using a rocker switch.





NOVACAT S12



NOVACAT S12

NOVACAT X8

25% higher output 25% less diesel

Despite an impressive working width of 36.74' / 11.20 m, you can operate the NOVACAT S12 tractor mower combination with a 160 hp tractor. As a result you can achieve an output of up to 32 acres / 13 ha/h with a very low fuel consumption averaging just 1.75 gal/2.47 acres / 2 l/ha. In the field, this means up to 25% more output with 25% lower diesel consumption and lower investment costs.

Confirmed in field test

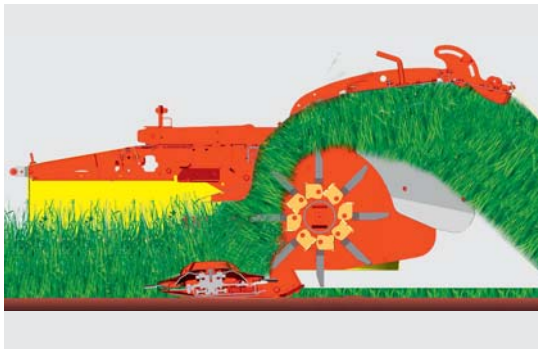
Tractors: 118 kW / 160 HP
Test area: 197 acres / 80 ha

Fuel saver

	NOVACAT X8 NOVACAT 301	NOVACAT S12 NOVACAT 351	
Working width	27.23' / 8.30 m	36.74' / 11.20 m	+ 35% working width
Measured output / h	24 acrs / 9.9 ha	30 acres / 12.4 ha	+ 25% output
Diesel consumption / ha	0.59 gal / 2.70 l	0.44 gal / 2.04 l	- 25% diesel consumption
		Potential savings =	- 153 gal / 2.47 acres - 700 l diesel / 1000 ha

Models with conditioners

NOVACAT X8
NOVACAT V10



ED tine conditioner

The EXTRA DRY conditioner is a joint development with the Institute of Agricultural Engineering (IMAG-DLO) in Wageningen (Holland) that started in 1997 to prove there is better way. Your forage dries measurably faster thanks to the adjustable conditioning intensity and wide placement.

V-shaped steel tines of hardened steel guarantee a continuous flow of crop and an extended service life. The tines are mounted on rubber elements in a spiral configuration on the conditioning roller.

EXTRA DRY drying accelerator

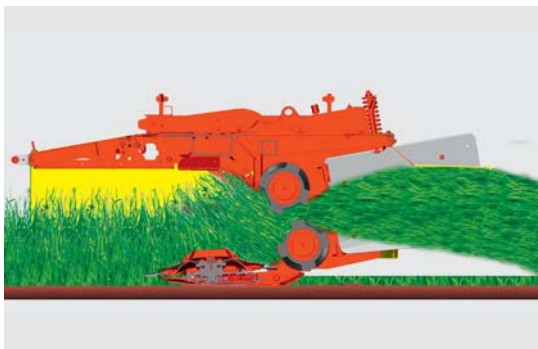
The tine rotor propels the forage across an adjustable conditioning plate. Adjustable guide vanes distribute the flow of crop over the whole mowed width. The forage is then deposited in a uniform and airy blanket by the wide-spread hood.

Pivoting swath plates can be used to form a swath.

Even more flexibility

Power is transmitted from the cutter bar gearbox to the rotor by drive belts with a spring-loaded belt tensioner. If the conditioner is not required, it can be removed.

- The drive belts are easily detached for removing the conditioner
- The drive system is reliably protected against contamination.
- The greasing points are located on the outside for easy access.



RC roller conditioner

Profitable yields in dairy farming are only possible with high-quality base forage. Quality nutrients in the forage increases milk output at the same time as reducing the costs of concentrates. For leafy types of plant, PÖTTINGER offers a proven conditioner with crimping rollers.

The roller conditioner is especially suitable for lucernes and clovers due to its precision conditioning capabilities. The rollers intermesh to crimp the stalks and produce a uniform blanket of forage. The roller profile is spiral-shaped. Both rollers are driven.

Reliable and durable

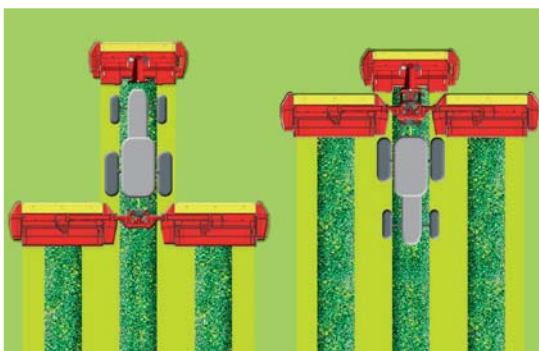
The rugged central tube has a diameter of 5.51" / 140 mm and a wall thickness of 0.22" / 5.6 mm. The Polyurethane profile is vulcanised onto the central tube of the roller. The outer diameter is 7.87" / 200 mm. The conditioner profiles are harder than rubber and therefore particularly resistant to wear. The drive chains are lubricated automatically.

Reliable drive system

- Power is transmitted by drive belt to the lower roller and by chain to the upper roller.
- The upper roller is height-adjustable and the gap between the rollers can be set.
- Conditioning pressure is adjusted on both sides using coil spring adjusters.

NOVACAT X8

The versatile all-rounder



As front/rear combination, optimum weight distribution and best performance on slopes are guaranteed. The front-mounted mower can be used independently of the two side mowers. Implementing the whole combination in reverse drive mode provides the best overview of all mowers. High manoeuvrability is ensured for small fields.

Effective weight alleviation

Two powerful springs on each mower unit guarantee a "floating cut" and ensure effective weight alleviation over the whole width of the cutter bar. The pressure the cutter bar exerts on the ground can be adjusted quickly without tools.



Hydraulic ground pressure system

Optimised ground tracking to protect the sward is a quality standard at PÖTTINGER. The pressure exerted on the ground can be set quickly and easily at the control terminal with this optional hydraulic function. Standard on NOVACAT X8 COLLECTOR.



Hydraulic collision protection system

If the mower impacts an obstacle the mower unit can fold back and is brought back automatically into the working position.



NOVACAT X8



Convenient headland turns

The lifting cylinders on all three mowers operate independently of the tractor hitch, which does not need to be actuated.

Compact during transport

The two side mowers are folded upwards for road transport and the front mower is raised. The transport width of three metres is not exceeded. Lighting is standard equipment.

Hydraulic folding side guards are optional on the NOVACAT front mower and combination so you can get ready for transport without leaving the tractor cab. The mechanical transport interlock is operated hydraulically. No lanyard is required.

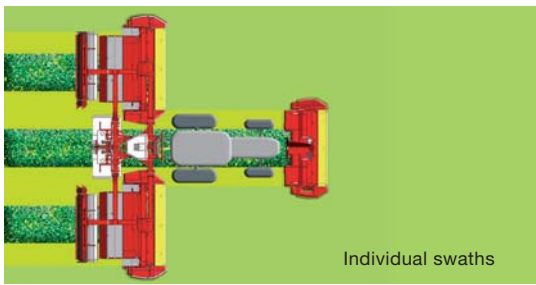


Space-saving parking

For especially compact storage, the mower can be parked on optional parking stands.

NOVACAT X8 COLLECTOR

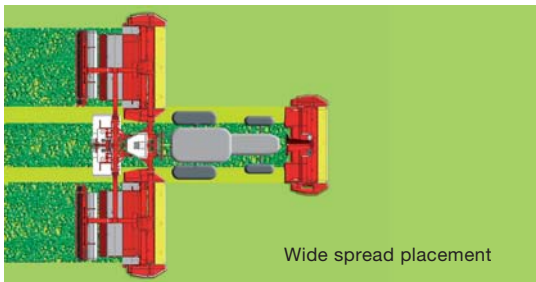
Maximum flexibility



Individual swaths

Individual swaths

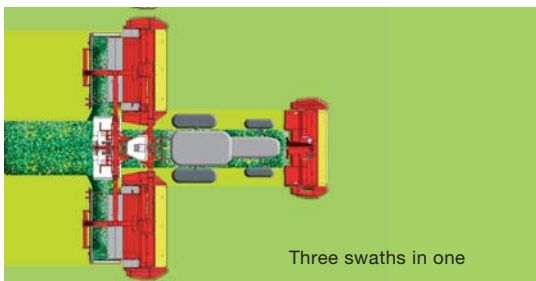
Raising the conveyor belts and narrowing the swath doors places three compact individual swaths.



Wide spread placement

Wide spread placement

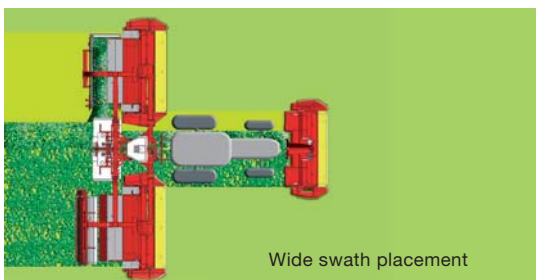
With the swath doors open, guide plates direct the flow of forage across the whole mowed width. The forage is deposited in a uniform and airy blanket.



Three swaths in one

Three swaths in one

The conveyor belts place the three swaths into one large central swath.



Wide swath placement

Wide swath placement

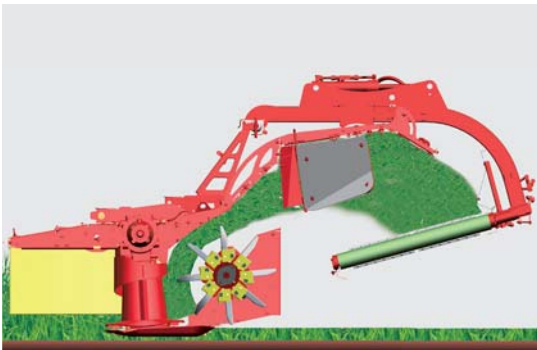
Save costs with combined wide swath placement

With the conveyor belts lifted individually, up to 40% raking work can be saved with a large TOP rake.



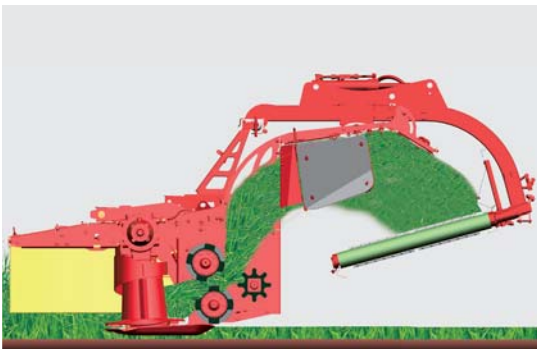
NOVACAT X8 COLLECTOR with swath merging conveyor belts

The NOVACAT X8 COLLECTOR mower combination offers high performance and maximum flexibility thanks to variable swath placement. The conveyor belts are equipped with their own on-board hydraulics. Both conveyor belts are fitted with counter springs so the ground tracking of the mower units is not negatively influenced. Continuously-variable belt speed control and additional accelerator rollers are available as an option. It only takes a few minutes to remove the conveyor belts and park them on their own supports.



EXTRA DRY tine conditioner

The steel tines are arranged in a spiral configuration to deliver a constant flow of forage to the conveyor belts.



RC roller conditioner

The profiled rollers condition the forage and the additional accelerator roller propels it reliably onto the cross conveyor belts.

NOVACAT V10

Flexibility and productivity

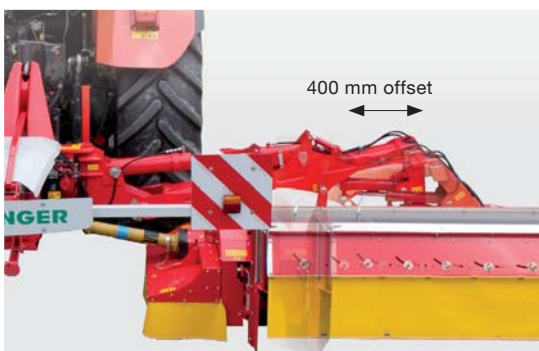


Optimisation of the mowing width

The NOVACAT V10 mower combination is a front/rear combination with special cutting width optimisation system. This enables flexible adjustment to differing operating conditions. The cutting width and mower unit overlap can be optimised on the move for working on slopes, while cornering and on flat areas.

Two main frames are available

Combinations with	9.84' / 3 m front mower	11.48' / 3.5 m front mower
max. working width	31.36' / 9.56 m	32.74' / 9.98 m
Transport width	9.84' / 3 m	11.31' / 3.45 m
Minimal gap between the two mower units	6' / 1.83 m	11.31' / 2.27 m



Hydraulic cutting width adjustment

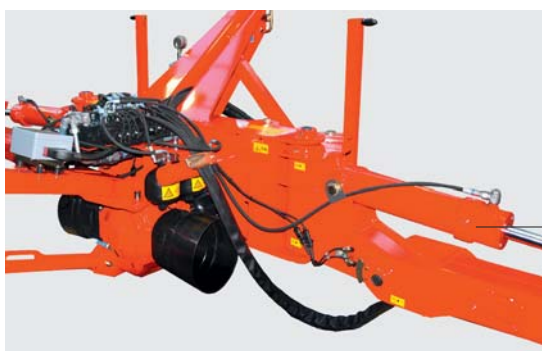
The hydraulic cylinders integrated into the booms shift the cutter bars by up to 15.74" / 400 mm. As a result, sufficient overlap with the front mower can be set in every situation.



Power is transmitted from the PTO shaft through the incoming gearbox to a drive shaft and the angular gear units that drive the mower discs. A constant velocity joint in the inside mower drum provides a stress-free link between the gear unit and the cutter bar. The driveline is protected by an overload clutch in the PTO shaft. A freewheel is integrated into the driveline.



NOVACAT V10 ED



Hydraulic ground pressure system

Optimised ground tracking to protect the sward is a quality standard at PÖTTINGER. On the NOVACAT V10 mower combination the ground pressure can be adjusted quickly and easily from the control terminal using hydraulic alleviation. "Floating cut" even on really bumpy ground – the guarantee for protecting the ground and producing best forage quality.



Hydraulic collision protection system

If the mower impacts an obstacle the mower unit can fold back and is brought back automatically into the working position.



Transport height under 13.12' / 4 m

The side guards fold in hydraulically to achieve a transport height under 13.12' / 4 metres without leaving the tractor cab. Lighting is standard equipment.

Terminals

Exceptional operating convenience



NOVADISC 730 / 810

Electrical preselect system

The electrical preselect functions allow optional individual side mower lifting using a single-acting connection.



NOVACAT S10 / S12

Electrical preselect system

This system is conveniently operated using a double-acting remote valve. Individual mower lifting is preselected using a rocker switch, likewise the transport position.



NOVACAT X8

SELECT CONTROL Terminal

All functions can be preselected using the SELECT CONTROL terminal and then performed using the tractor's remote valves.

- Mower units can be lifted individually
- Easy operation using automatic headland functions
- Operate the transport interlock
- Only one single-acting remote required



NOVACAT X8 COLLECTOR



NOVACAT X8 COLLECTOR NOVACAT V10

POWER CONTROL Terminal

- Mower units lifted individually
- Headland management
- Hydraulic ground pressure system
- Hydraulic guard lifting/lowering
- Operate the transport interlock
- Hour and hectare counter
- Load sensing control

NOVACAT COLLECTOR functions:

- Conveyor belts lifted individually
- Conveyor speed adjustment optional

CCI 100 Terminal – 100 % ISOBUS

Same functions provided as POWER CONTROL. In addition, you can operate ISOBUS-compatible machines from other manufacturers.



- Rugged synthetic casing
- High quality 8.4" TFT colour touch-screen
- Six soft keys on left and right
- Ambient light sensor and back-lit function keys
- Edit using keys and touch-screen
- Video input for camera
- Scroll wheel for direct input and adjustment of setpoints

Technical data



Combinations without conditioners	Working width	Mounting	Number of discs	Hectares per hour up to
NOVADISC 730	23.75' / 7.24 m	Cat. 2 / Width 2	2 x 6	17.29 acres/h / 7 ha/h
NOVADISC 900	29.26' / 8.92 m	Cat. 2 / Width 2	2 x 8	27.18 acres/h / 11 ha/h
Combinations without conditioners	Working width	Mounting	Number of discs	Hectares per hour up to
NOVACAT S10	29.85' / 9,10 m	Kat. 3 / Weite 3	2 x 8	27.18 acres/h / 11 ha/h
for 11.48' / 3.50 m front mower	31.23' / 9,52 m	Kat. 3 / Weite 3	2 x 8	27.18 acres/h / 11 ha/h
NOVACAT S12	35.36' / 10.78 m	Cat. 3 / Width 3	2 x 10	32.12 acres/h / 13 ha/h
for 11.48' / 3.50 m front mower	36.74' / 11.20 m	Cat. 3 / Width 3	2 x 10	32.12 acres/h / 13 ha/h
Combinations without conditioners	Working width	Mounting	Number of discs	Hectares per hour up to
NOVACAT X8	27.23' / 8.30 m	Cat. 3 / Width 2	2 x 7	24.71 acres/h / 10 ha/h
NOVACAT X8 ED	27.23' / 8.30 m	Cat. 3 / Width 2	2 x 7	24.71 acres/h / 10 ha/h
NOVACAT X8 RC	27.23' / 8.30 m	Cat. 3 / Width 2	2 x 7	24.71 acres/h / 10 ha/h
NOVACAT X8 COLLECTOR	27.23' / 8.30 m	Cat. 3 / Width 2	2 x 7	24.71 acres/h / 10 ha/h
Combinations without conditioners	Working width	Mounting	Number of discs	Hectares per hour up to
NOVACAT V10	28.74' - 31.36' / 8.76 – 9.56 m	Cat. 3 / Width 2	2 x 8	27.18 acres/h / 11 ha/h
NOVACAT V10 ED	28.74' - 31.36' / 8.76 – 9.56 m	Cat. 3 / Width 2	2 x 8	27.18 acres/h / 11 ha/h
NOVACAT V10 RC	28.74' - 31.36' / 8.76 – 9.56 m	Cat. 3 / Width 2	2 x 8	27.18 acres/h / 11 ha/h
for 11.48' / 3.50 m front mower				
NOVACAT V10	30.11' - 32.74' / 9.18 – 9.98 m	Cat. 3 / Width 3	2 x 8	29.65 acres/h / 12 ha/h
NOVACAT V10 ED	30.11' - 32.74' / 9.18 – 9.98 m	Cat. 3 / Width 3	2 x 8	29.65 acres/h / 12 ha/h
NOVACAT V10 RC	30.11' - 32.74' / 9.18 – 9.98 m	Cat. 3 / Width 3	2 x 8	29.65 acres/h / 12 ha/h

PTO speed generally 1000 rpm



NOVACAT V10 ED

Space between rear mowers	Placement width without swath discs	2 / 4 swath discs	Transport height	Weight
6.6' / 2.0 m	5.57' / 1.7 m	1.5 m / 1.1 m	10.17' / 3.1 m	2777 lbs / 1260 kg
6.6' / 2.0 m	8.53' / 2.5 m	2.1 m / 1.7 m	12.79' / 3.9 m	3350 / 1520 kg
Space between rear mowers	Placement width without swath discs	2 / 4 swath discs	Transport height	Weight
7.08' / 2,16 m	8.53' / 2.5 m	6.88' / 2,1 m	7.21' / 2,2 m	4298 / 1950 kg
8.46' / 2,58 m	8.53' / 2.5 m	6.88' / 2,1 m	7.21' / 2,2 m	4298 / 1950 kg
7.15' / 2.18 m	11.81' / 3.6 m	8.53' / 9.84' / 2.6 m / 3 m	7.21' / 2.2 m	4519 lbs / 2050 kg
8.53' / 2.60 m	11.81' / 3.6 m	8.53' / 9.84' / 2.6 m / 3 m	7.21' / 2.2 m	4519 lbs / 2050 kg
Space between rear mowers	Placement width without swath discs	2 / 4 swath discs	Transport height	Weight
7.28' / 2.22 m	6.88' / 2.1 m	5.57' / 4.26' / 1.7 m / 1.3 m	13.12' / 4.0 m	3968 lbs / 1800 kg
7.28' / 2.22 m	8.85' - 6.23' / 2.7 m - 1.9 m	-	13.12' / 4.0 m	4850 lbs / 2200 kg
7.28' / 2.22 m	8.53' - 6.23' / 2.5 m - 1.9 m	-	13.12' / 4.0 m	5291 lbs / 2400 kg
7.28' / 2.22 m			13.12' / 4.0 m	7054 lbs / 3200 kg
Space between rear mowers	Placement width without swath discs	2 / 4 swath discs	Transport height	Weight
6.03' - 8.66' / 1.84 - 2.64 m	8.53' / 2.5 m	6.88' / 5.57' / 2.1 m / 1.7 m	13.12' / 4.0 m	5070 lbs / 2300 kg
6.03' - 8.66' / 1.84 - 2.64 m	5.57' - 7.21' / 3.1 - 2.2 m	-	13.12' / 4.0 m	5996 lbs / 2720 kg
6.03' - 8.66' / 1.84 - 2.64 m	9.84' - 7.21' / 3.0 - 2.2 m	-	13.12' / 4.0 m	6393 lbs / 2900 kg
7.41' - 10.03' / 2.26 - 3.06 m	8.20' / 2.5 m	6.88' / 5.57' / 2.1 m / 1.7 m	13.12' / 4.0 m	5070 lbs / 2300 kg
7.41' - 10.03' / 2.26 - 3.06 m	10.17 - 7.21' / 3.1 - 2.2 m	-	13.12' / 4.0 m	5996 lbs / 2720 kg
7.41' - 10.03' / 2.26 - 3.06 m	9.84' - 7.21' / 3.0 - 2.2 m	-	13.12' / 4.0 m	6393 lbs / 2900 kg

all data not binding, equipment may vary from country to country

Standard & Optional Equipment



	Individual lift capability	Individual lift capability Rear folding system	Swath discs left / right	Additional swath discs
NOVADISC 730	<input type="checkbox"/>	-	<input type="checkbox"/>	<input type="checkbox"/>
NOVADISC 810	<input type="checkbox"/>	-	<input type="checkbox"/>	<input type="checkbox"/>
NOVACAT S10	-	■	<input type="checkbox"/>	-
NOVACAT S12	-	■	<input type="checkbox"/>	-



	POWER CONTROL	CCI ISOBUS	Swath discs left / right	Additional swath discs
NOVACAT X8	<input type="checkbox"/>	-	■	<input type="checkbox"/>
NOVACAT X8 ED / RC	<input type="checkbox"/>	-	<input type="checkbox"/>	<input type="checkbox"/>
NOVACAT X8 COLLECTOR	■	-	<input type="checkbox"/>	<input type="checkbox"/>
NOVACAT V10	■	■	■	<input type="checkbox"/>
NOVACAT V10 ED / RC	■	■	<input type="checkbox"/>	<input type="checkbox"/>

■ = Standard, □ = Option



NOVACAT X8



Conveying cone	Wear skids	High-cut skids 1.96" - 3.14" / 50 - 80 mm	Parking supports
<input type="checkbox"/>	<input type="checkbox"/>	<input type="checkbox"/>	<input type="checkbox"/>
<input type="checkbox"/>	<input type="checkbox"/>	<input type="checkbox"/>	<input type="checkbox"/>
<input type="checkbox"/>	<input type="checkbox"/>	<input type="checkbox"/>	-
<input type="checkbox"/>	<input type="checkbox"/>	<input type="checkbox"/>	-



Conveying cone	Wear skids	High-cut skids 1.96" - 3.14" / 50 - 80 mm	Parking supports	Hydraulic folding of side guards
<input type="checkbox"/>	<input type="checkbox"/>	<input type="checkbox"/>	<input type="checkbox"/>	<input type="checkbox"/>
<input type="checkbox"/>	<input type="checkbox"/>	<input type="checkbox"/>	<input type="checkbox"/>	<input type="checkbox"/>
<input type="checkbox"/>	<input type="checkbox"/>	<input type="checkbox"/>	<input type="checkbox"/>	<input type="checkbox"/>
<input type="checkbox"/>	<input type="checkbox"/>	<input type="checkbox"/>	<input type="checkbox"/>	<input checked="" type="checkbox"/>
<input type="checkbox"/>	<input type="checkbox"/>	<input type="checkbox"/>	<input type="checkbox"/>	<input checked="" type="checkbox"/>

all data not binding, equipment may vary from country to country



Standard & Optional Equipment



	ED tine conditioner	RC roller conditioner	Rear mowing guard
NOVACAT X8	<input type="checkbox"/>	<input type="checkbox"/>	<input checked="" type="checkbox"/>
NOVACAT X8 ED	<input checked="" type="checkbox"/>	<input type="checkbox"/>	<input type="checkbox"/>
NOVACAT X8 RC	<input type="checkbox"/>	<input checked="" type="checkbox"/>	<input type="checkbox"/>
NOVACAT V10	<input type="checkbox"/>	<input type="checkbox"/>	<input checked="" type="checkbox"/>
NOVACAT V10 ED	<input checked="" type="checkbox"/>	<input type="checkbox"/>	<input type="checkbox"/>
NOVACAT V10 RC	<input type="checkbox"/>	<input checked="" type="checkbox"/>	<input type="checkbox"/>



	Quick-change pins for conditioner	Wheels for conditioner
NOVACAT X8	<input type="checkbox"/>	<input type="checkbox"/>
NOVACAT X8 ED	<input type="checkbox"/>	<input type="checkbox"/>
NOVACAT X8 RC	<input type="checkbox"/>	<input type="checkbox"/>
NOVACAT V10	<input type="checkbox"/>	<input type="checkbox"/>
NOVACAT V10 ED	<input type="checkbox"/>	<input type="checkbox"/>
NOVACAT V10 RC	<input type="checkbox"/>	<input type="checkbox"/>

■ = Standard, □ = Option

all data not binding, equipment may vary from country to country



We are where you are.

We offer our customers the best developed network of sales and service partners worldwide. Being local means that we can quickly supply our customers with spare parts and that our skilled personnel can optimally deliver and install the machinery.

Our services include:

- Original Inside Parts 24-hour ordering service online.
- Long-term stock keeping of spare parts.
- Expertise through regular training - for professional personnel.
- And much more...

Find out more from your PÖTTINGER dealership, or visit www.poettinger.at

**Alois PÖTTINGER
Maschinenfabrik GmbH**
Industriegelände 1
4710 Grieskirchen
Austria
Phone +43 7248 600-0
Fax +43 7248 600-2511
info@poettinger.at
www.poettinger.at

Alois PÖTTINGER UK Ltd.
15 St Marks Road, Corby
Northamptonshire, NN18 8AN
United Kingdom
Phone +44 844 561 0644
info.uk@pottingeruk.co.uk
www.pottingeruk.co.uk

POETTINGER Canada Inc.
650, Route 112
St-Cesaire, PQ J0L 1T0
Canada
Phone +1 450 469 5594
Fax +1 866 417 1683
sales.canada@poettinger.ca
www.poettinger.ca

POETTINGER US, Inc.
393 Pilot Drive
Valparaiso, IN 46383
USA
Phone +1 219 510-5534
Fax + 1 219 707-5412
sales.us@poettinger.us
www.poettinger.us

POETTINGER Australia PTY LTD
15 Fordson Road
Campbellfield, VIC 3061
Australia
Phone +61 3 9359 2969
sales.au@poettinger.com.au
www.poettinger.com.au

POETTINGER Ireland Ltd.
Industrial Estate
Cashel Rd., Clonmel, Co. Tipperary
Ireland
Phone +353 52 6125766
info.ie@poettinger.at
www.poettinger.ie

**Importer for New Zealand:
Origin Agroup**
PO Box 673, 57 Hautapu Road
Cambridge
New Zealand
Phone +64 7 823 7582
info@originagroup.co.nz
www.originagroup.co.nz

**Importer for South Africa:
VALTRAC**
Cnr. Water & Buiten Street
9585 Parys
South Africa
Phone +27 56 817 7338 7308
wynn@valtrac.co.za
www.valtrac.co.za

**PÖTTINGER**