

NOVACAT NOVADISC

PÖTTINGER mower combinations





High performance with excellent cost effectiveness

The PÖTTINGER mower combinations are both productive and economical. The high level of user convenience, ingenious details, wide range of applications, strength and first-class cutting quality make these mower combinations one of the most productive in their class.

NOVADISC 730 / 810 / 900

The low drag resistance NOVADISC mower combinations without conditioners deliver high output and a clean cut with the lowest possible power consumption.

NOVACAT S10 / S12 – the fuel saver

PÖTTINGER sets new standards in terms of productivity and efficiency. The NOVACAT S12 is the largest mounted mower combination available on the market.

NOVACAT X8 / A9 / A10

Equipped with conditioners and swath merging, these mower combinations are now even more versatile.

Contents

	Page
PÖTTINGER cutter bars	4
Mower combination models	8
Mower combinations without conditioners	
NOVADISC 730 / 810 / 900	10
NOVACAT S10 / S12	14
Mower combinations with conditioners	
NOVACAT conditioner	18
NOVACAT X8 / A9 / A10	20
NOVACAT COLLECTOR swath merging	28
Terminals	32
Technical data / Equipment options	36

All information relating to technical photos, data, dimensions, weights, output, etc. are approximate and are not binding.

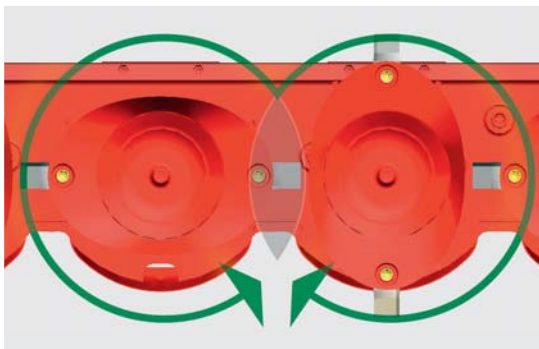
PÖTTINGER cutter bars

Quality made in Austria

Check out this video 
"The making of a cutter bar"
www.poettinger.at/video/cutterbar



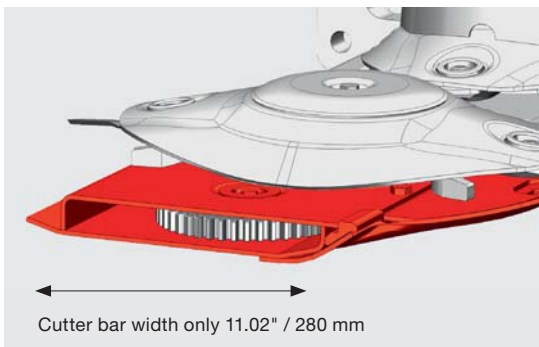
At the heart of PÖTTINGER disc mowers is the cutter bar, proven over thousands of cuts in the field. NOVACAT disc mower cutter bars are developed and built at the company's main plant in Grieskirchen – a quality product made in Austria. First-class cutting quality, low drag resistance and strength are the trademarks of these cutter bars. Engineered details guarantee you reliable operation and contribute significantly to an extended service life.



Optimum crop flow – clean forage

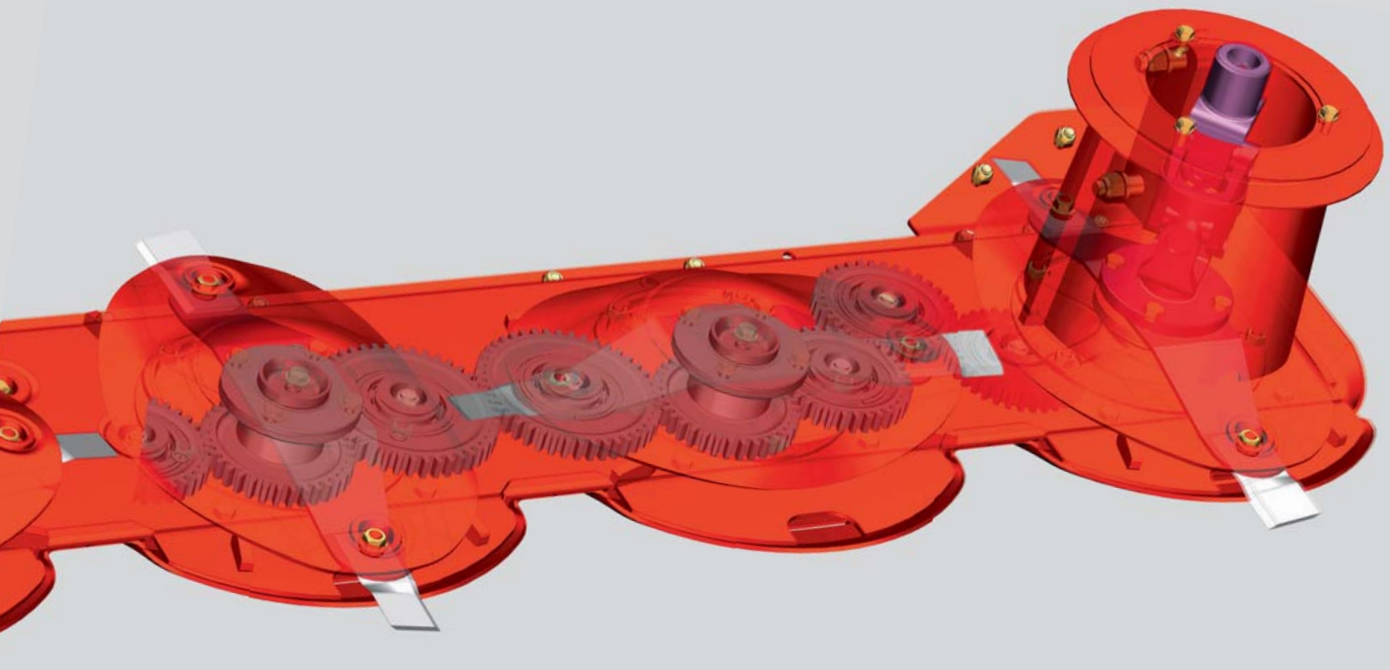
The rounded, low profile front edge lets the cutter bar glide smoothly over the ground and separates the crop tidily from the sward. The conveyor effect has been improved thanks to the rounded conical surfaces of the mower discs.

- Integrated paddles keep the cutter bar surface clean.
- The crop flows through smoothly and uniformly, maintaining full cutting capacity in all operating conditions.
- PÖTTINGER guarantees trouble-free downhill mowing, even on steep slopes.



Perfect cutting quality

The sleek cutter bar is only 11.02" / 280 mm deep, perfect for enabling the best possible ground tracking. The clamped quick change mower blades rotate very close to the surface of the cutter bar and the counter knife. The optimised overlap of blade paths ensures a clean and uniform mowing pattern.



Engineered to impress

Durable mower discs

The oval, low profile mower discs are made of hardened fine-grained steel. Quick-change blades make maintenance easy.

Optional paddle cones

These improve the crop flow and enable swath formation.

High-strength stub shafts

The stable stub shafts are bolted to the gears and are thus easy to replace when required.

Heavy-duty bearings

Durable, twin race tapered bearings with a bearing spacing of 2.36" / 60 mm are extremely stress-resistant.



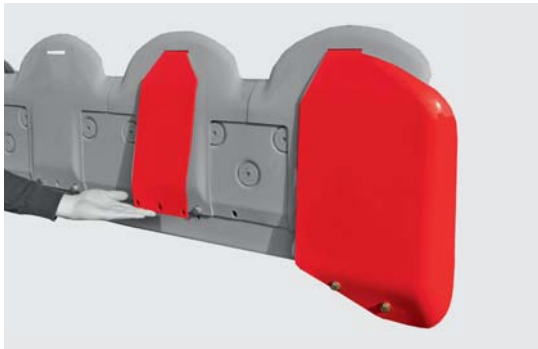
TRI DRIVE – gear optimisation

Reliable power transmission

The spur gear drive runs in a straight line with virtually the same sized gears. All gears are hardened and machined for smooth running and a long service life.

- New gear pairs with virtually the same diameter 39/50.
- Three teeth in contact – better power transmission – smooth start up.
- New surface finishing on the gears ensures smoother running and a reduction in noise level.





Wear resistant skids

Wide skids made from hardened boron steel to resist impact and prevent the build-up of soil. Because the underside of the cutter bar is smooth with contoured skids inside and outside, it protects the sward even on tight corners.

As an option, you can fit additional wear skids to protect the underside of the cutter bar. The bolted skids can be easily changed if required.

Optional high-cut skids can be mounted to increase the cutting height from 1.97 and 4.72" / 50 to 120 mm. Their large radius and wide surface area make them especially wear resistant.

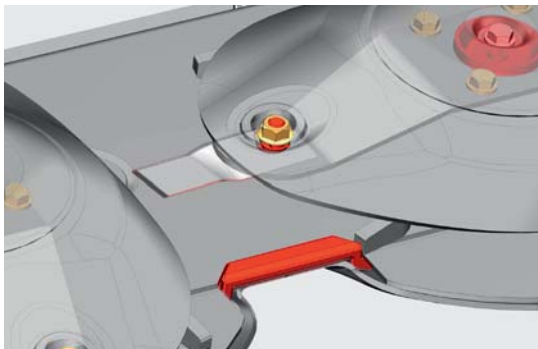
- High-cut skid + 0.79" / + 20 mm, the universal skid especially for stony soil.
- High-cut skid + 1.57" / + 40 mm, especially for whole crop.
- NEW: High-cut skids for the outer pairs of skids



Top quality

The cutter bar is made from the best quality steel. The metal plate is precision laser-cut and robot-welded before machining at the state of the art CNC machining centre.

- The blade pin is bolted to the mower disc. This can be replaced cost-effectively if required.
- The counter knife is clamped in place, meaning it is also easy to replace.





NOVACAT S10



Easy with quick-change blades

Change blades quickly and easily: Press down the spring clip with the blade tool and replace the blade.

- The blade is locked securely in place by the spring clip.
- Lengthy, tough operation demands the best blade quality, which is why original PÖTTINGER blades are made from high-quality blade steel.
- A handy blade box provides space for replacement blades.



Maintenance-friendly

The guards fold away to provide optimum access to the cutter bar.

Practical modular design

The bearing flange and fittings are reliably protected by rubber o-ring seals. The gears and bearings can be removed as one unit, while the idler gears are easily removed through the openings – it could not be more straightforward.



Overview of models

NOVADISC
NOVACAT



Models without conditioners

NOVADISC 730 / 810 / 900

NOVADISC mower combinations meet market requirements where no conditioning is needed. Their trademark is lightweight construction and side mounting.

NOVACAT S10 / S12

The NOVACAT S12 with centre pivot suspension is the largest mounted mower combination available on the market. The new “fuel saver” gives you a full working width of 36.74' / 11.20 m with a power requirement of just 160 hp and the lowest fuel consumption.

The NOVACAT S10 requires as little as 130 hp.



Models with conditioners

NOVACAT X8

NOVACAT X8 mower combinations are high output and economical.

These mowers can be used as front/rear-mounted combinations or in a reverse drive push configuration.

Thanks to the swath merging COLLECTOR, our mower combinations are even more versatile.

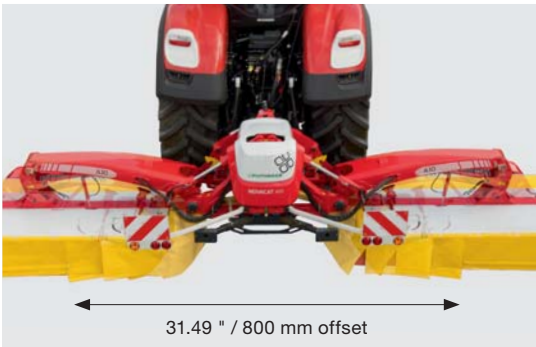
- NOVACAT X8 with swath formers
- NOVACAT X8 ED with tine conditioner.
- NOVACAT X8 RC with roller conditioner.
- NOVACAT X8 COLLECTOR with swath merging.





New: NOVACAT A9

The NOVACAT A9 mower combination is a front/rear combination with a fixed working width.



NOVACAT A10

The NOVACAT A10 mower combination is a front/rear combination with a special cutting width optimisation system. This enables flexible width adjustment to differing operating conditions. The cutting width and mower unit overlap can be optimised on the move for working on slopes, while cornering and on flat areas.

The high level of user convenience, ingenious details, wide range of applications, strength and first-class cutting quality make these mower combinations among the most productive in their class.



It's your choice ...

- NOVACAT A9 / A10 with swath formers.
- NOVACAT A9 ED / A10 ED with tine conditioner.
- NOVACAT A9 RCB / A10 RCB with roller conditioner.
- NOVACAT A10 CROSS FLOW with no conditioner and swath merging.
- NOVACAT A10 COLLECTOR with conditioner and swath merging.

Models without conditioners



NOVADISC 730 / 810 / 900

Lightweight and low resistance



Ground tracking

Pressure on the ground can be adjusted by setting the lower linkage arm height and the weight alleviation springs. Two weight alleviation springs guarantee excellent ground tracking of the cutter bar, even when mowing embankments. One of the weight alleviation springs features infinitely variable adjustment.



NOVADISC lifting system

The mower is lowered so that the outer end of the cutter bar contacts the ground first. At the headland, the inside end is lifted first, providing optimum protection of the sward.

Smooth running and reliable

A key feature is the lightweight cutter bar without inside shoe. The cutter bar gearbox is behind the first mower disc. This means you can mow into corners and over rough ground no problem. A rugged driveline with multi V-belt drive offers an efficient and reliable drive to the cutter bars.





NOVADISC 730



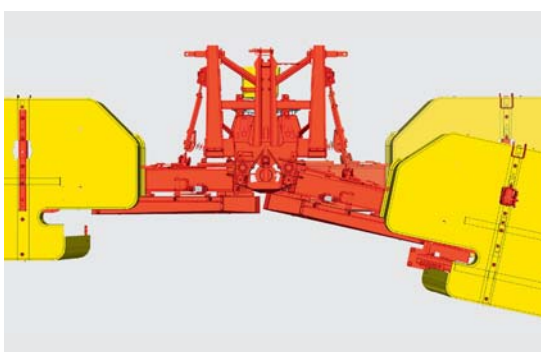
Rugged and adaptable

Mounting points at each end of the cutter bar protect it against twisting. As a result, the gears and bearings are subjected to less stress to guarantee smooth operation and a long service life. The wide arc of movement enables easy mowing on rough surfaces and embankments.



Innovative headstock

- Practical PTO shaft holder makes hitching up easier.
- A handy blade box provides space for replacement blades.
- The blade tool is kept on the machine.
- PTO shaft lubrication interval has been increased to 150 hours. The PTO shafts are easily accessible and easy to maintain.



Collision safety device protects against damage

The mechanical collision safety system **(1)** provides a swing arc of approx. 12° on both sides. Damage to the mower is thus avoided in the event of a collision. After it has been triggered, simply reverse a short distance to engage the cutter bar again.



NOVADISC 810



Convenient and straightforward

The guards fold away to provide optimum access to the cutter bar. This makes it possible to clean the machine thoroughly and change blades quickly and easily.

For your safety

The guard curtains are made from especially tough material to reliably catch stones and soil.



Safe and practical

The cutter bar is raised using a single-acting hydraulic connection. An optional electrical preselect function lets you choose between parallel or individual lifting. A mechanical interlock provides the necessary safety during road transport. The outer guards can be folded inwards to reduce transport height.

Lighting is standard equipment.

Space-saving parking

For especially compact storage, the mower can be parked on optional parking stands.





NOVACAT S10 NOVACAT S12

The largest mounted mower combinations



PÖTTINGER sets new standards in terms of productivity and efficiency.

NOVACAT S12 advantages at a glance:

- The largest mounted mower combination.
- Highest output – up to 32 acres / 13 ha/h.
- Lowest power requirement – from 130 hp / 160 hp.
- Lowest diesel consumption – 0.89 gal per acre / 2.0 l/ha.
- Compact transport width – only 7.21' / 2.20 m.



Perfect ground tracking

The centre pivot mounting on the cutter bars provides a travel of +/- 22.5° for perfect ground tracking. At the same time, infinitely adjustable hydraulic weight alleviation ensures optimum ground contact pressure across the entire mowing width. This “floating cut” guarantees excellent ground and crop protection.



Safe at work

The hydraulic rear folding system includes a hydraulic collision protection system.



19.68" / 500 mm ground clearance

At the headland, ground clearance is 19.68" / 500 mm. During lifting, the cutter bar is held firm by a stabilizer cylinder. This makes it easier to drive over swaths and optionally offers greater stability during transport.

Compact during transport

For transport, the mower can be folded backwards. The front guards then automatically fold up hydraulically. This gives you a narrow transport width of only 7.21' / 2.20 m and a high ground clearance during transport. Lighting is standard equipment.



Straightforward operation

This system is conveniently operated using a double-acting remote valve. Individual unit lifting and the transport position are preselected using a rocker switch.





NOVACAT S12

NOVACAT X8

25% higher output
25% less diesel

Despite an impressive working width of 36.74' / 11.20 m, you can operate the NOVACAT S12 tractor mower combination with a 160 hp tractor. As a result you can achieve an output of up to 32 acres / 13 ha/h with a very low fuel consumption averaging just 0.178 gal per acre / 2 l/ha. In the field, this means up to 25% more output with 25% lower diesel consumption and lower investment costs.

Confirmed in field test

Tractors: 118 kW / 160 HP
Test area: 97 acres / 80 ha

Fuel saver

	NOVACAT X8 NOVACAT 301	NOVACAT S12 NOVACAT 351	
Working width	27.23' / 8.30 m	36.74' / 11.20 m	+ 35 % working width
Measured output per hour	24 acrs / 9.9 ha	30 acres / 12.4 ha	+ 25 % output
Diesel consumption galon per acre l / ha	0.24 gal UK 2.70 l	0.18 gal UK 2.04 l	- 25 % diesel consumption
		Potential savings =	- 62 gal diesel / 1000 acres - 700 l diesel / 1000 ha

Models with conditioners

NOVACAT X8
NOVACAT A10



ED tine conditioner

The **EXTRA DRY conditioner** is a joint development with the **Institute of Agricultural Engineering (IMAG-DLO) in Wageningen (Holland)** that started in 1997 to prove there is better way. Your forage dries measurably faster thanks to the adjustable conditioning intensity and wide placement.

V-shaped steel tines of hardened steel guarantee a continuous flow of crop and an extended service life. The tines are mounted on rubber elements in a spiral configuration on the conditioning roller.

EXTRA DRY drying accelerator

The tine rotor propels the forage across an adjustable conditioning plate. Adjustable guide vanes distribute the flow of crop over the whole mowed width. The forage is then deposited in a uniform and airy blanket by the wide-spread hood.

Pivoting swath plates can be used to form a swath.

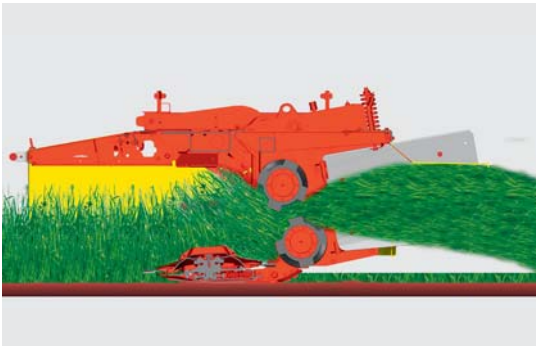
Even more flexibility

Power is transmitted from the cutter bar gearbox to the rotor by V-belts with a spring-loaded belt tensioner. If you don't need the conditioner, just remove it.

- The V-belts are easily detached for removing the conditioner
- The drive system is reliably protected against contamination.
- The greasing points are located on the outside for easy access.



NOVACAT X8 ED



RC / RCB roller conditioner

Profitable yields in dairy farming are only possible with high-quality base forage. Quality nutrients in the forage increases milk output at the same time as reducing the costs of concentrates. For leafy types of plant, PÖTTINGER offers a proven conditioner with crimping rollers.

The roller conditioner is especially suitable for lucernes and clovers due to its precision conditioning capabilities. The rollers intermesh to crimp the stalks and produce a uniform blanket of forage. The roller profile is spiral-shaped. Both rollers are driven.

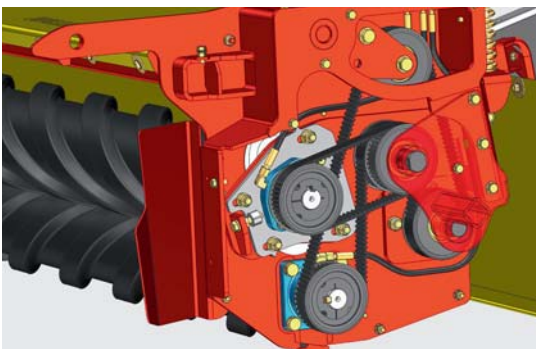


Reliable and durable

The rugged central tube has a diameter of 5.51" / 140 mm and a wall thickness of 0.22" / 5.6 mm. The Polyurethane profile is vulcanised onto the central tube of the roller giving an external diameter of 7.87" / 200 mm. The conditioner profiles are harder than rubber and therefore particularly resistant to wear.

New RCB drive

- Contamination-free, low-maintenance toothed drive belt on roller conditioner (RCB).
- The inter-meshing rollers crimp the stalks to produce a uniform blanket of forage
- The roller conditioner is especially suitable for alfalfa and clovers due to its precision conditioning capabilities.
- The upper roller is height-adjustable so that the gap between the rollers can be set.
- The conditioner pressure can be adjusted on both sides via coil spring adjusters.
- The greasing points are located externally for easy access.



NOVACAT X8

The versatile all-rounder



As front/rear combination, optimum weight distribution and best performance on slopes are guaranteed. The front-mounted mower can be used independently of the two side mowers. Implementing the whole combination in reverse drive mode provides the best overview of all mowers. High manoeuvrability is ensured for small fields.

Effective weight alleviation

Two powerful springs on each mower unit guarantee a “floating cut” and ensure effective weight alleviation over the whole width of the cutter bar. The pressure the cutter bar exerts on the ground can be adjusted quickly without tools.



Hydraulic ground pressure system

Optimised ground tracking to protect the sward is a quality standard at PÖTTINGER. The pressure exerted on the ground can be set quickly and easily at the control terminal with this optional hydraulic function. Standard on NOVACAT X8 COLLECTOR.



Hydraulic collision protection system

If the mower impacts an obstacle the mower unit can fold back and is brought back automatically into the working position. **(1)**



NOVACAT X8



Convenient headland turns

The lifting cylinders on all three mowers operate independently of the tractor hitch, which does not need to be actuated.

Compact during transport

The two side mowers are folded upwards for road transport and the front mower is raised. The transport width of three metres is not exceeded. Lighting is standard equipment.

Hydraulic folding side guards are optional on the NOVACAT front mower and combination so you can get ready for transport without leaving the tractor cab. **(1)**

The mechanical transport interlock is operated hydraulically. No lanyard is required.



Space-saving parking

For especially compact storage, the mower can be parked on optional parking stands.



NOVACAT A9 / A10

Reliability and durability

Reliable operation in all situations

A9 mounting

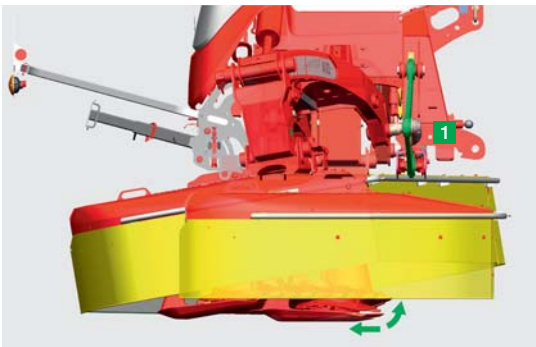
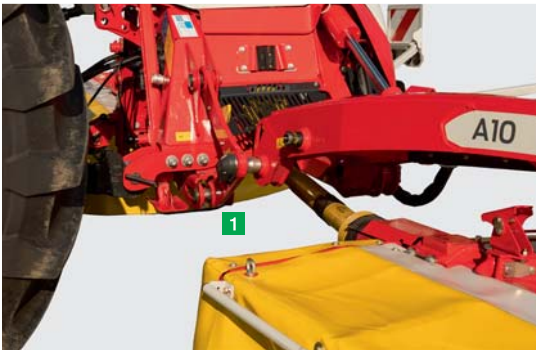
The central main frame is designed for configuration with a tractor mounted 3 m front mower. The rear mowers can be assembled in one of two positions giving a working width of either 8.92 or 9.18 m. In the narrow setting a 2.0 m centre to centre spacing is provided and in the widest 2.26 m.

A10 mounting - Two options available

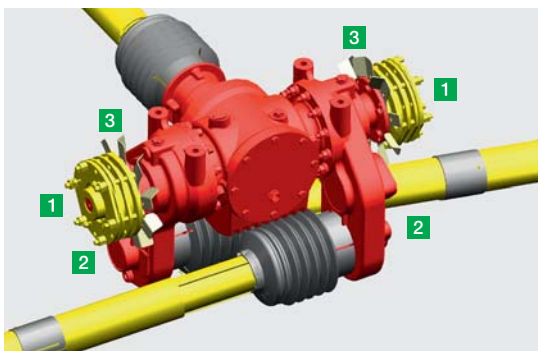
Two central frames can be specified when ordering for use in combination with either a 9.84 or 11.48' / 3 or 3.5 metre wide front mower. This option ensures sufficient front/rear mower overlap.

NONSTOP LIFT hydraulic collision safety device protects the mower

NONSTOP LIFT is an innovative technology that offers the best protection to the cutter bar. Fitted to both sides, the collision safety device enables the cutter bar to avoid obstructions efficiently. When triggered, the boom folds backwards on the triangular frame and is simultaneously raised at the front by the gimbal – a three-dimensional collision safety system. **(1)** The mower avoids impact with the obstruction so that damage to the cutter bar is prevented even at higher driving speeds.



NEW



Extended service life thanks to Y DRIVE

New generation driveline

The special Y DRIVE input gearbox utilises bevel cut gears and presents the mower drive shaft on the opposing side to the mower. This has the advantage that longer standard PTO shafts can be used with less of an angle in operation.

The backlash free driveline using standard drive shafts has been made possible by locating the slip clutch **(1)** and freewheel **(2)** directly at the gearbox. Integrated fan blades cool the gearbox in operation **(3)**.

As a result the driveline offers exceptionally smooth operation even when raised at the headland or in the heaviest of crop conditions. This new design extends service life significantly.

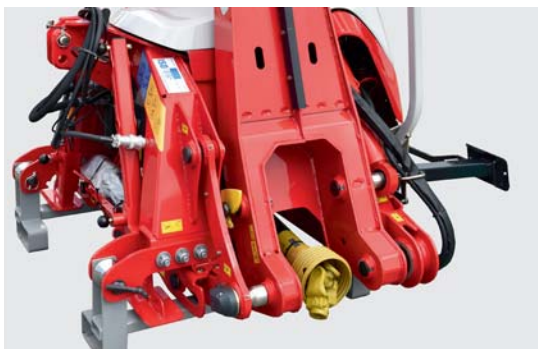
Consistent power transmission

A constant velocity joint in the inside mower drum provides a stress-free link between the angular gearbox and the cutter bar. The cutterbar gears run submerged in gear oil.



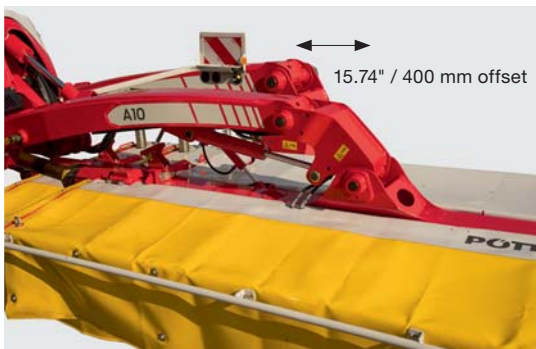
Robust technology – long service life

The heavy duty boom design offers a wide bearing spacing, which carries the cutter bar and provides the optimum in support. The cutter bar is mounted from both ends which protects it against twisting. As a result, the cutter bar gears and bearings are subjected to less stress for smoother operation and a long service life.



NOVACAT A9 / A10

Efficiency and convenience



Optimising mowing width for maximum output with the A10

Hydraulic cutting width adjustment

The hydraulic cylinders integrated into the booms shift the cutter bars sideways by up to 15.74" / 400 mm. As a result, sufficient overlap with the front mower can be achieved in every situation. Automatic working width adjustment when cornering is possible on compatible tractor models using a steering angle sensor.



Hydraulic ground pressure system

Reduced wear and fuel costs

Optimised ground tracking to protect the sward is a key quality standard at PÖTTINGER.

On the NOVACAT A10 mower combination, hydraulic weight alleviation is used to adjust the ground pressure quickly and easily **(1)**. This is carried out via either the POWER CONTROL or ISOBUS from the control terminal.

"Floating cut" even on really rough ground – the guarantee for protecting the ground and producing best forage quality.

Optimised hydraulic weight alleviation also ensures a considerable reduction in wear and fuel consumption costs.



Maximum flexibility during operation

The mower combination is available with swath formers without conditioners, with ED tine-type conditioners and with RCB roller-type conditioners. The right combination for every situation.

NEW



Transport height under 13.12' / 4 m

For road transport, the mower is folded upwards hydraulically and then locked securely in the transport position

Hydraulic transport interlock is provided as standard for maximum convenience – no rope lanyard is required.

Hydraulic side guard folding is available as an option, to achieve a transport height below 13.12' / 4 m with a ground clearance of 10.62" / 270 mm with no need to leave the tractor cab. This is supplied as standard on the A10 COLLECTOR.

This means that high transport speeds are possible.

- A9 transport width 9.68' / 2.95 m.
- Transport width 8.85' / 2.70 m with 9.84' / 3 m front mower.
- Transport width 10.33' / 3.15 m with 11.48' / 3.50 m front mower.
- Integrated parking stands are provided as standard for parking the machine when not in use.
- Lighting is standard equipment.

Parking stands CE compliant

Parking stands for vertical stowage are integrated as standard.

Straightforward maintenance management

Easy maintenance management using the control terminal. Great convenience.

Automatic central greasing point is optional

Optimum and continuous greasing for NOVACAT A10 ED and A10 RCB – all greasing points (except drive shafts) are supplied by an electric lubrication pump.



NEW



NOVACAT A10 CF

Swath merging with cross flow auger



NOVACAT A10 CF (CROSS FLOW) Swath merging without conditioner

The NOVACAT A10 CF, PÖTTINGER now offers a cost-effective and lightweight system for merging swaths. Its low weight and low power requirement greatly reduce fuel consumption.

Cost effective system

The NOVACAT A10 CF allows you to profit from much lower investment costs for a swath merging system. This innovative solution does not need a conditioner and enables a weight reduction of 30 % compared to conventional systems. This means less soil compaction. Thanks to its low power requirement, you save on fuel costs too.

Straightforward and flexible

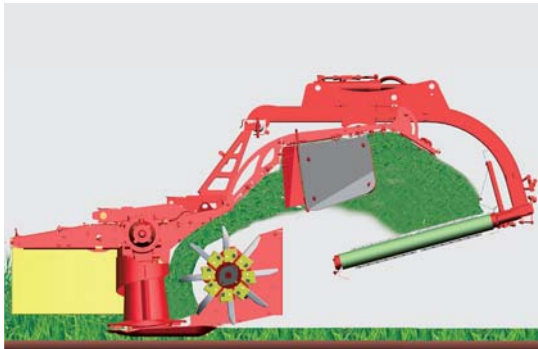
Because the cross conveyor auger runs inside an enclosed casing, all the crop is conveyed to the adjacent swath without losses or contamination. A swath curtain is available as an option. It is easy to switch between wide spreading or swath placement by manually opening the cover.

The cross flow auger accelerates the wilting process of the crop, regardless of whether the forage is placed in a wide blanket or in a swath. It turns the crop over which accelerates wilting.



NOVACAT X8 / A10 COLLECTOR

Swath merging



Maximum flexibility with cross conveyor belts

High output and maximum flexibility thanks to variable width forage placement are offered by the mower combinations NOVACAT X8 COLLECTOR with a fixed working width of 27.23' / 8.30 m and NOVACAT A10 COLLECTOR with a variable working width between 28.87 and 33.46' / 8.80 and 10.02 m.



EXTRA DRY tine conditioner

The steel tines are arranged in a spiral configuration to deliver a constant flow of forage to the conveyor belts.

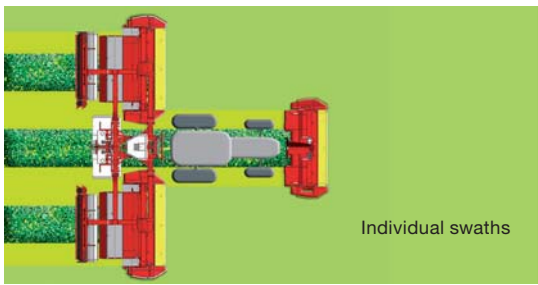


RC roller conditioner

The profiled rollers condition the forage and the additional accelerator roller propels it reliably onto the cross conveyor belts.

NOVACAT X8 COLLECTOR

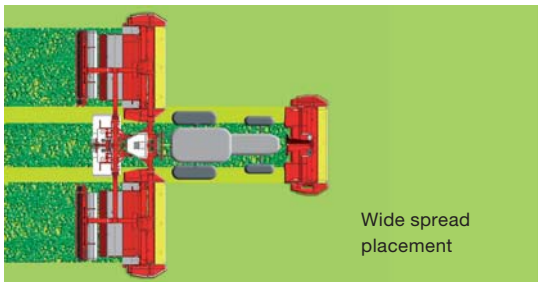
The conveyor belts are equipped with their own on-board hydraulics. Both conveyor belts are fitted with counter springs so the ground tracking of the mower units is not negatively influenced. Continuously-variable belt speed control and additional accelerator rollers are available as an option. It only takes a few minutes to remove the conveyor belts and park them on their own supports.



Individual swaths

Individual swaths

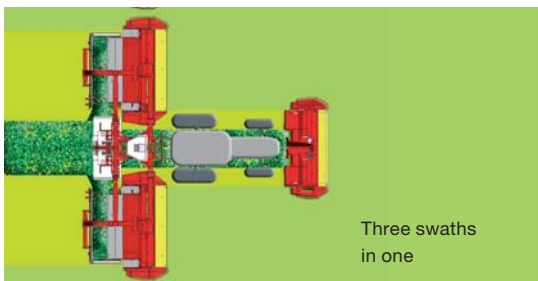
Raising the conveyor belts and narrowing the swath doors places three compact individual swaths.



Wide spread placement

Wide spread placement

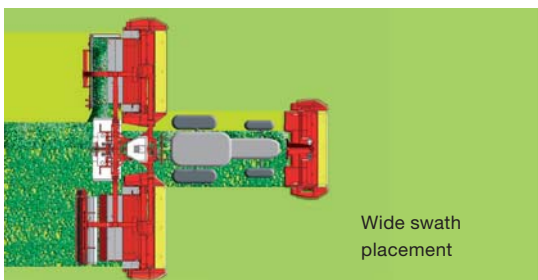
With the swath doors open, guide plates direct the flow of forage across the whole mowed width. The forage is deposited in a uniform and airy blanket.



Three swaths in one

Three swaths in one

The conveyor belts place the three swaths into one large central swath.



Wide swath placement

Wide swath placement

Save costs with combined wide swath placement.

With the conveyor belts lifted individually, up to 40% raking work can be saved with a large TOP rake.

NOVACAT A10 COLLECTOR

Versatility



Triple swath – Individual swaths –
Wide spread – Wide swath

Maximum flexibility and cost effectiveness

The conveyor belts are driven by the tractor's hydraulics, additionally accelerator rollers are available as an option. The whole unit is supported by the hydraulic weight alleviation system to ensure excellent ground tracking.

The cross conveyor belts can be removed if needed.



Conveyor belt speed adjustment is infinitely-variable.

- Manually using valves on the belt unit with SELECT CONTROL terminal.
- Electric adjustment of each belt unit with POWER CONTROL terminal.

Optional for optimum swath placement

- Mechanical height-adjustable accelerator rollers to adapt swath width for narrower overall width.
- Swath comb for compact swaths when operating the COLLECTOR belts to one side.



NEW



The hydraulic mower weight alleviation system reduces wear and increases the service life of the machine as a result. In addition, the weight alleviation system reduces the ash content of the forage at the same time as lowering fuel consumption. Overall, the weight alleviation contributes to increased cost efficiencies.

Thanks to the integrated conveyor belt monitor, mower blockages due to the cross conveyor belts not being switched on are avoided. An acoustic warning signal indicates that the conveyor belts are not switched on while they are in the working position.



Straightforward maintenance management

Easy maintenance management using the control terminal. Great convenience.

Automatic central greasing point is optional

All greasing points (except drive shafts) are supplied by an electric lubrication pump.

Optimum and continuous greasing for NOVACAT A10 ED COLLECTOR and A10 RCB COLLECTOR.



Terminals

Exceptional operating convenience



NOVADISC 730 / 810 / 900

Electrical preselect system

The optional electrical preselect functions allow individual side mower lifting using a single-acting connection.



NOVACAT S10 / S12

Electrical preselect system

This system is conveniently operated using a double-acting remote valve. Individual mower lifting is preselected using a rocker switch, likewise the transport position.



NOVACAT X8

SELECT CONTROL Terminal

All functions can be preselected using the SELECT CONTROL terminal and then performed using the tractor's remote valves.

- Mower units can be lifted individually
- Easy operation using automatic headland functions
- Operate the transport interlock
- Only one tractor remote required



NOVACAT X8 COLLECTOR



POWER CONTROL Terminal

- Mower units lifted individually
- Headland management
- Hydraulic ground pressure system
- Hydraulic guard lifting/lowering
- Operate the transport interlock
- Hour and hectare counter
- Load sensing control

NOVACAT X8 COLLECTOR functions:

- Conveyor belts lifted individually
- Conveyor speed adjustment optional

CCI 100 Terminal – 100 % ISOBUS

Same functions provided as POWER CONTROL. In addition, you can operate ISOBUS-compatible machines from other manufacturers.



- Rugged synthetic casing
- High quality 8.4" TFT colour touch-screen
- Six soft keys on left and right
- Ambient light sensor and back-lit function keys
- Edit using keys and touch-screen
- Video input for camera
- Scroll wheel for direct input and adjustment of setpoints



NOVACAT A10

Convenient to use



SELECT CONTROL as standard

- Individual control with automatic function available to lift the mower units.
- Optional hydraulic folding side guard, operates even while driving.
- Synchronous hydraulic working width adjustment.
- Hydraulic transport release.
- Weight alleviation pressure for mower units is adjusted manually at the hydraulic valve block.
- Maintenance management – displays greasing and oil change intervals depending on operating time.

POWER CONTROL (optional on A10)

- Individual mower unit lifting system with headland management.
- Independent hydraulic working width adjustment for both mower units.
- Hydraulic weight alleviation is set at the control terminal – automatic adjustment to working width.
- Hydraulic folding side guard, operates even while driving.
- Operate the transport interlock.
- Load sensing control.
- Front mower operated using control terminal.
- Maintenance management – displays greasing and oil change intervals depending on operating time.

CCI ISOBUS terminal (optional on A10)

- All function operated by POWER CONTROL, additional optional working width adjustment by ISOBUS terminal depending on steering angle signal from tractor sensors.
- On a right-hand corner the left-hand mower unit pivots inwards depending on the steering angle.

For good visibility

Optional lighting package with 4 LED floodlights (A10).

Technical data

Heel mounted mower combination No conditioner	Working width ft / m	Linkage	Number of discs	Coverage capacity up to acres / ha
NOVADISC 730	23.75 / 7.24	Cat. 2 / Width 2	2 x 6	17.29 / 7
NOVADISC 810	26.50 / 8.08	Cat. 2 / Width 2	2 x 7	22.23 / 9
NOVADISC 900	29.26 / 8.92	Cat. 2 / Width 2	2 x 8	27.18 / 11

Centre mounted mower combination – No conditioner	Working width ft / m	Linkage	Number of discs	Coverage capacity up to acres / ha
NOVACAT S10	29.85 / 9.10	Cat. 3 / Width 3	2 x 8	27.18 / 11
with 11.48' / 3.50 m front mower	31.23 / 9.52			
NOVACAT S12	35.36 / 10.78	Cat. 3 / Width 3	2 x 10	32.12 / 13
with 11.48' / 3.50 m front mower	36.74 / 11.20			

Centre mounted mower combination	Working width ft / m	Linkage	Number of discs	Coverage capacity up to acres / ha
NOVACAT X8	27.23 / 8.30	Cat. 3 / Width 2	2 x 7	24.71 / 10
NOVACAT X8 ED	27.23 / 8.30	Cat. 3 / Width 2	2 x 7	24.71 / 10
NOVACAT X8 RCB	27.23 / 8.30	Cat. 3 / Width 2	2 x 7	24.71 / 10
NOVACAT X8 ED COLLECTOR	27.23 / 8.30	Cat. 3 / Width 2	2 x 7	24.71 / 10
NOVACAT X8 RCB COLLECTOR	27.23 / 8.30	Cat. 3 / Width 2	2 x 7	24.71 / 10

Centre mounted mower combination	Working width ft / m	Mounting	Number of discs	Coverage capacity up to acres / ha
NOVACAT A9	29.97 / 30.12 / 8.92 / 9.18	Cat. 3 / Width 3	2 x 8	29.65 / 12
NOVACAT A9 ED	29.97 / 30.12 / 8.92 / 9.18	Cat. 3 / Width 3	2 x 8	29.65 / 12
NOVACAT A9 RCB	29.97 / 30.12 / 8.92 / 9.18	Cat. 3 / Width 3	2 x 8	29.65 / 12

Centre mounted mower combination – variable width	Working width ft / m	Mounting	Number of discs	Coverage capacity up to acres / ha
NOVACAT A10	28.87 – 31.36 / 8.80 – 9.56	Cat. 3 / Width 3	2 x 8	29.65 / 12
with 11.48' / 3.50 m front mower	30.38 – 32.87 / 9.26 – 10.02			
NOVACAT A10 CF	28.87 – 31.36 / 8.80 – 9.56	Cat. 3 / Width 3	2 x 8	29.65 / 12
with 11.48' / 3.50 m front mower	30.38 – 32.87 / 9.26 – 10.02			
NOVACAT A10 ED	28.87 – 31.36 / 8.80 – 9.56	Cat. 3 / Width 3	2 x 8	29.65 / 12
with 11.48' / 3.50 m front mower	30.38 – 32.87 / 9.26 – 10.02			
NOVACAT A10 RCB	28.87 – 31.36 / 8.80 – 9.56	Cat. 3 / Width 3	2 x 8	29.65 / 12
with 11.48' / 3.50 m front mower	30.38 – 32.87 / 9.26 – 10.02			
NOVACAT A10 ED COLLECTOR	28.87 – 31.36 / 8.80 – 9.56	Cat. 3 / Width 3	2 x 8	29.65 / 12
with 11.48' / 3.50 m front mower	30.38 – 32.87 / 9.26 – 10.02			
NOVACAT A10 RCB COLLECTOR	28.87 – 31.36 / 8.80 – 9.56	Cat. 3 / Width 3	2 x 8	29.65 / 12
with 11.48' / 3.50 m front mower	30.38 – 32.87 / 9.26 – 10.02			

Standard PTO speed 1000 rpm

Distance between rear mowers ft / m	Placement width without swath discs ft / m	2 / 4 swath discs ft / m	Transport height ft / m	Weight lbs / kg
6.6 / 2.0	5.57 / 1.7	3.61 / 4.92 / 1.5 / 1.1	10.17 / 3.1	2679 / 1215
6.6 / 2.0	8.53 / 2.5	6.88 / 5.57 / 2.1 / 1.7	12.79 / 3.9	3086 / 1400
6.6 / 2.0	8.53 / 2.5	6.88 / 5.57 / 2.1 / 1.7	12.79 / 3.9	3350 / 1520
Distance between rear mowers ft / m	Placement width without swath discs ft / m	2 / 4 swath discs ft / m	Transport width ft / m	Weight lbs / kg
7.08 / 2.16 8.46 / 2.58	8.53 / 2.5	6.88 / 2.1	7.21 / 2.2	3968 / 1800
7.08 / 2.16 8.46 / 2.58	11.81 / 3.6	9.84 / 3	7.21 / 2.2	4497 / 2040
Distance between rear mowers ft / m	Placement width without swath discs ft / m	2 / 4 swath discs ft / m	Transport height ft / m	Weight lbs / kg
7.28 / 2.22	6.88 / 2.1	5.57 / 4.26 / 1.7 / 1.3	13.12 / 4.0	4762 / 2160
7.28 / 2.22	8.85 – 6.23 / 2.7 – 1.9	–	13.12 / 4.0	5776 / 2620
7.28 / 2.22	8.53 – 5.57 / 2.5 – 1.7	–	13.12 / 4.0	6128 / 2780
7.28 / 2.22	–	–	13.12 / 4.0	8377 / 3800
7.28 / 2.22	–	–	13.12 / 4.0	9259 / 4200
Distance between rear mowers ft / m	Placement width without swath discs ft / m	2 / 4 swath discs ft / m	Transport height ft / m	Weight lbs / kg
6.6 / 7.41 / 2.0 / 2.26	8.53 / 2.5	6.88 / 5.57 / 2.1 / 1.7	13.09 / 3.99	4982 / 2260
6.6 / 7.41 / 2.0 / 2.26	10.17 – 7.21 / 3.1 – 2.2	–	13.09 / 3.99	6570 / 2980
6.6 / 7.41 / 2.0 / 2.26	9.84 – 7.21 / 3.0 – 2.2	–	13.09 / 3.99	6746 / 3060
Distance between rear mowers ft / m	Placement width without swath discs ft / m	2 / 4 swath discs ft / m	Transport height ft / m	Weight lbs / kg
6.03 – 8.66 / 1.84 – 2.64 7.67 – 10.17 / 2.34 – 3.10	8.53 / 2.5	6.88 / 5.57 / 2.1 / 1.7	13.09 / 3.99	5180 / 2350
6.03 – 8.66 / 1.84 – 2.64 7.67 – 10.17 / 2.34 – 3.10	–	–	13.09 / 3.99	7143 / 3240
6.03 – 8.66 / 1.84 – 2.64 7.67 – 10.17 / 2.34 – 3.10	10.17 – 7.21 / 3.1 – 2.2	–	13.09 / 3.99	6790 / 3080
6.03 – 8.66 / 1.84 – 2.64 7.67 – 10.17 / 2.34 – 3.10	9.84 – 7.21 / 3.0 – 2.2	–	13.09 / 3.99	6966 / 3160
6.03 – 8.66 / 1.84 – 2.64 7.67 – 10.17 / 2.34 – 3.10	10.17 – 7.21 / 3.1 – 2.2	–	13.09 / 3.99	8333 / 3780
6.03 – 8.66 / 1.84 – 2.64 7.67 – 10.17 / 2.34 – 3.10	9.84 – 7.21 / 3.0 – 2.2	–	13.09 / 3.99	8774 / 3980

Equipment



Individual lift capability



**Individual lift capability
Horizontal rear folding
system**



**Swath discs
left / right**



Additional swath discs

NOVADISC 730 / 810 / 900	<input type="checkbox"/>	-	<input type="checkbox"/>	<input type="checkbox"/>
NOVACAT S10 / S12	-	■	<input type="checkbox"/>	-



POWER CONTROL



**EXPERT 100
CCI 100 ISOBUS**

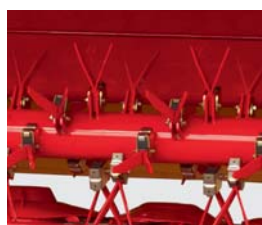


**Swath disc
left / right**



Additional swath discs

NOVACAT X8	<input type="checkbox"/>	<input type="checkbox"/>	■	<input type="checkbox"/>
NOVACAT X8 ED / RCB	<input type="checkbox"/>	<input type="checkbox"/>	<input type="checkbox"/>	<input type="checkbox"/>
NOVACAT X8 COLLECTOR	■	<input type="checkbox"/>	-	-
NOVACAT A9	-	-	■	<input type="checkbox"/>
NOVACAT A9 ED / RCB	-	-	<input type="checkbox"/>	<input type="checkbox"/>
NOVACAT A10	<input type="checkbox"/>	<input type="checkbox"/>	■	<input type="checkbox"/>
NOVACAT A10 CF	<input type="checkbox"/>	<input type="checkbox"/>	-	-
NOVACAT A10 ED / RCB	<input type="checkbox"/>	<input type="checkbox"/>	<input type="checkbox"/>	<input type="checkbox"/>
NOVACAT A10 COLLECTOR	<input type="checkbox"/>	<input type="checkbox"/>	-	-



**Tine conditioner
ED**



**Roller conditioner
RCB**



**Rear mowing guard
Swathing discs**



**Quick-change pins
for conditioner**

NOVACAT X8	<input type="checkbox"/>	<input type="checkbox"/>	■	<input type="checkbox"/>
NOVACAT X8 ED	■	<input type="checkbox"/>	<input type="checkbox"/>	<input type="checkbox"/>
NOVACAT X8 RCB	<input type="checkbox"/>	■	<input type="checkbox"/>	<input type="checkbox"/>
NOVACAT A9 / A10	<input type="checkbox"/>	<input type="checkbox"/>	■	<input type="checkbox"/>
NOVACAT A9 ED / A10 ED	■	<input type="checkbox"/>	<input type="checkbox"/>	<input type="checkbox"/>
NOVACAT A9 RCB / A10 RCB	<input type="checkbox"/>	■	<input type="checkbox"/>	<input type="checkbox"/>

■ = Standard □ = Option



Heads for better flow



Wear skids



High-cut skids
+0.79 / 1.57 inch
+20 / 40 mm



Parking stands

<input type="checkbox"/>	<input type="checkbox"/>	<input type="checkbox"/>	<input type="checkbox"/>
<input type="checkbox"/>	<input type="checkbox"/>	<input type="checkbox"/>	-



Feed cone



Wear skids



High-cut skids
+0.79 / 1.57 inch
+20 / 40 mm



**Parking stands
CE compliant**



**Hydraulic folding of side
guards**

<input type="checkbox"/>	<input type="checkbox"/>	<input type="checkbox"/>	<input type="checkbox"/>	<input type="checkbox"/>
<input type="checkbox"/>	<input type="checkbox"/>	<input type="checkbox"/>	<input type="checkbox"/>	<input type="checkbox"/>
<input type="checkbox"/>	<input type="checkbox"/>	<input type="checkbox"/>	<input type="checkbox"/>	<input checked="" type="checkbox"/>
<input type="checkbox"/>	<input type="checkbox"/>	<input type="checkbox"/>	<input checked="" type="checkbox"/>	<input type="checkbox"/>
<input type="checkbox"/>	<input type="checkbox"/>	<input type="checkbox"/>	<input checked="" type="checkbox"/>	<input type="checkbox"/>
<input type="checkbox"/>	<input type="checkbox"/>	<input type="checkbox"/>	<input checked="" type="checkbox"/>	<input type="checkbox"/>
<input type="checkbox"/>	<input type="checkbox"/>	<input checked="" type="checkbox"/>	<input checked="" type="checkbox"/>	<input type="checkbox"/>
<input type="checkbox"/>	<input type="checkbox"/>	<input type="checkbox"/>	<input checked="" type="checkbox"/>	<input type="checkbox"/>
<input type="checkbox"/>	<input type="checkbox"/>	<input type="checkbox"/>	<input checked="" type="checkbox"/>	<input type="checkbox"/>



**Wheels
for conditioner**

More equipment options:

- Hydraulic hose and electric kit for synchronised lifting of ALPHA MOTION front mower.
- Swath spreading for NOVACAT RCB.
- Accelerator rollers for better swath forming for NOVACAT X8 / A10 COLLECTOR.
- Steering angle dependent working width control for NOVACAT A10.
- Swath comb for NOVACAT A10 COLLECTOR.
- Automatic central greasing point.

<input type="checkbox"/>
<input type="checkbox"/>
<input type="checkbox"/>
<input type="checkbox"/>
<input type="checkbox"/>
<input type="checkbox"/>
<input type="checkbox"/>



Your machine goes online.

All the information on your machine
easily – anytime – anywhere

Simply scan the QR code on the data plate with your smartphone or tablet or enter your machine number at www.poettinger.at/poetpro. You will immediately receive all the information on your machine.

- Instruction manual
- Optional equipment information
- Brochures
- Photos and videos



PÖTTINGER Spare parts service

- Worldwide network of sales and service partners.
- Decades of spare and wear parts availability.
- Original PÖTTINGER parts can be ordered online around the clock.

PÖTTINGER Landtechnik GmbH

Industriegelände 1
4710 Grieskirchen
Austria
Phone +43 7248 600-0
Fax +43 7248 600-2513
info@poettinger.at
www.poettinger.at

POETTINGER US, Inc.

393 Pilot Drive
Valparaiso, IN 46383
USA
Phone +1 219 510 5534
Fax + 1 219 707 5412
sales.us@poettinger.us
www.poettinger.us

Importer for New Zealand:

Origin Agroup
PO Box 673, 57 Hautapu Road
Cambridge
New Zealand
Phone +64 7 823 7582
info@originagroup.co.nz
www.originagroup.co.nz

Alois PÖTTINGER UK Ltd.

15 St Marks Road, Corby
Northamptonshire,
NN18 8AN
United Kingdom
Phone + 44 1536 272 220
info@pottingeruk.co.uk
www.pottingeruk.co.uk

POETTINGER Australia PTY LTD

15 Fordson Road
Campbellfield, VIC 3061
Australia
Phone +61 3 9359 2969
sales.au@poettinger.com.au
www.poettinger.com.au

Importer for South Africa:

VALTRAC
Cnr. Water & Buiten Street
9585 Parys
South Africa
Phone +27 56 817 7338 7308
wynn@valtrac.co.za
www.valtrac.co.za

POETTINGER Canada Inc.

650, Route 112
St-Cesaire, PQ J0L 1T0
Canada
Phone +1 450 469 5594
Fax +1 866 417 1683
sales.canada@poettinger.ca
www.poettinger.ca

POETTINGER Ireland Ltd.

Industrial Estate
Cashel Rd., Clonmel, Co. Tipperary
Ireland
Phone +353 52 6125766
info.ie@poettinger.at
www.poettinger.ie

