

DIECI

MINI AGRI

26.6



CONCENTRATED POWER ***MINI AGRICULTURE: UNIQUELY PRODUCTIVE***

Mini Agri is the ideal vehicle for manoeuvres in tight spaces, with **great power, excellent handling and precision movement control.**

Approved for use with a man basket without outriggers or foam-filled tyres.

The combination of the **new** eco-friendly and more powerful **engine** and the **new hydrostatic transmission** delivers **amazing performance** while drastically reducing fuel consumption.

TOP LEVEL PERFORMANCE

NEW ENGINES

Concealed beneath the attractively styled body lies the new **73 hp Kubota** Common Rail Turbo Diesel with Aftercooler, with full electronic control and compliant with the most recent Stage V/Tier 4f emission standards. Significant **reduction in fuel consumption** and longer intervals between services.

The engine is equipped with DOC+DPF (Diesel Oxidation Catalyst + Diesel Particulate Filter) technology to reduce harmful exhaust emissions. Intuitive filter regeneration management, with a choice of manual and automatic functions.



5.68 m **BOOM HEIGHT**

2600 kg **MAXIMUM CAPACITY**



HYDROSTATIC TRANSMISSION

The **high performance** transmission ensures that right speed-to-power ratio is always available, whatever the operating conditions.

Equipped with a single-speed gearbox, accelerates smoothly and progressively to 30 km/h for **fluid manoeuvres** executed with **millimetric precision**.

The combined use of the electronic throttle and inching pedal allow **the vehicle to be driven at slow, controlled speeds**, even with the boom at maximum speed.

TOTAL SAFETY

Astonishing performance, thanks to the boom which achieves the perfect balance between size and strength, capable of lifting **2600 kg** to a height of **5.68m**.

Incredibly responsive when working with a shovel, totally free of any uncontrolled movement thanks to the central position of the boom.

MOMENT LIMITER

Every Dieci machine is equipped with a control device that analyzes vehicle stability in real time and inhibits any aggravating movements when the preset safety limits are reached.

ABSOLUTE COMFORT

Comfort is the first thing you notice on board a Mini Agri. The meticulous study of the **controls arrangement makes the vehicle use simple, easy and comfortable**. Inside the cab everything has been designed in order to make work easier for the operator.

Unparalleled technology with the new **on-board computer**. The display shows clearly and in real time all the information necessary to operate the vehicle.

Soundproofing, height **adjustable steering** wheel height, storage compartments, radio, sun screen and pneumatic ergonomic seat allow to operate in conditions of total comfort.

The **semi-automatic air conditioning system** with 6 outlet vents allows perfect air circulation inside the cabin.

The windscreen wiper also cleans the glass at the top of the cab. A wide mesh safety grille and one of the highest driving positions in its class provide an unrivalled visibility of **360°**.



HANDLING

ALL THE CONTROLS IN ONE HAND

The new **4-in-one joystick**, standard on all models, provides **integrated control of the vehicle**. The integral travel direction control allows rapid shuttling between forward and reverse.

The compensated **flow sharing control valve** allows simultaneous operation of all movements.

The Joystick with **deadman sensor** and the **operator presence sensor in the seat** prevent the risk of accidental operation of the controls.

AGILITY

The high-efficiency steering system ensures that even under high load conditions the steering always feels **light and responsive**.

Manoeuvrability and compact dimensions remain the chief characteristics of Mini Agri.

INCHING PEDAL

An essential control when movements must be slowed right down or stopped and **maximum hydraulic power** is required for the equipment in use.

EASY RIDE

Developed by Dieci design engineers, the sophisticated air suspension system installed on the boom (optional) **drastically reduces oscillation** when travelling over **rough terrain**.

TECHNOLOGY

HYDRAULIC SYSTEM

The high-capacity hydraulic pump which provides a flow rate of 80 l/1', helps speed up manoeuvres, **reducing operating times by up to 15%**.

PATENTED COMPENSATION CYLINDER

Located inside the lifting cylinder, the exclusive patented Dieci system makes the **thrust on the boom always balanced**, improving its durability over time.

ISO 2441 MOUNTING FRAME

Available as an optional item, this frame ensures the **full interchangeability of all equipment** normally used on Skid Steer loaders.

QUICK DEP

System for depressurising the hydraulic sockets that makes the **connection of equipment easy and effortless**.



DSCS

ROPS-FOPS approved cab designed with safety cell. Innovative **DSCS door** made from composite material with high thermal and acoustic insulation properties for improved operator comfort.

STURDY CHASSIS

The solid chassis is one of the defining characteristics of Mini Agri: all welds are performed by automated robots to ensure **rigidity and total safety**, even under high- effort conditions.

QUICK DEP

DSCS

COMPENSATION CYLINDER

DIECI SERVICE

Dieci Service is our technical assistance service present across the world, through an **extensive network of dealers** and authorized service centers.

Our customers are assisted directly by specialized technicians and every request is satisfied in a very short time: thanks to the use of automated warehouses, Dieci Service can provide, within a few hours, interventions and spare parts all over the world. Visit www.dieci.com to find the dealer closest to you.

400 **DEALERS**

70 **COUNTRIES**

3 **BRANCHES**



TECHNICAL DATA

PERFORMANCE

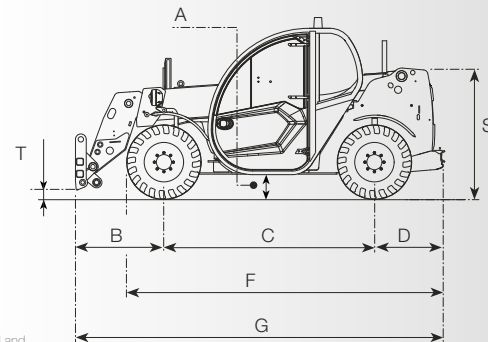
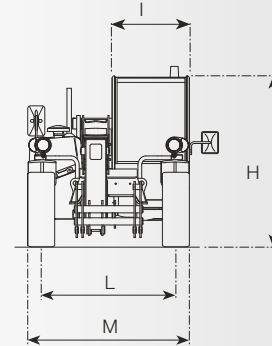
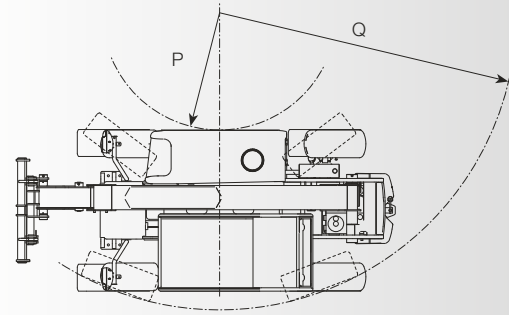
Vehicle model	MINI AGRI 26.6
Maximum capacity	2600 kg (5732 lb)
Maximum lifting height	5,68 m (18,6 ft)
Pull-out force	7600 daN (17085 lbf)
Towing force	4400 daN (9892 lbf)
Maximum climb angle	40%
Unladen weight	5000 kg (11023 lb)
Max speed (referred to wheels with maximum permitted diameter)	30 km/h (18,6 mph)

ENGINE

Vehicle model	MINI AGRI 26.6
Brand	Kubota
Nominal power	54,6 kW (73 HP)
@rpm	2600 rpm
Displacement	3331 cm ³ (203 in ³)
Emission standard	Stage V/Tier 4f
Exhaust gas treatment	Catalyst + Particulate filter (DOC+DPF)
Intake	Turbo compressor

TRANSMISSION

Vehicle model	MINI AGRI 26.6
Transmission type	Single speed Hydrostatic transmission with variable displacement pump
Hydraulic motor	Hydrostatic with continuous automatic adjustment
Reversal	Electro-Hydraulic
Inching	With hydraulic pedal for controlled forward movement



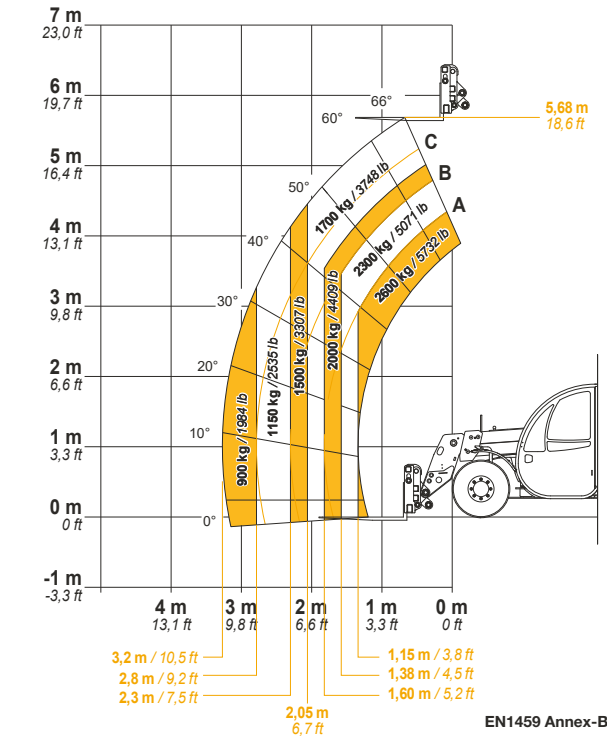
HYDRAULIC SYSTEM

Vehicle model	MINI AGRI 26.6
Hydraulic pump type	Gear pump for power steering and movements
Hydraulic pump capacity	80 L/min (21,1 gal/min)
Max. operating pressure	23,0 MPa (3336 psi)
Distributor control	4 in 1 proportional Joystick

DIMENSIONS

Vehicle model	MINI AGRI 26.6
A	270 mm (10,6 in)
B	985 mm (38,8 in)
C	2350 mm (92,5 in)
D	765 mm (30,1 in)
F	3535 mm (139,2 in)
G	4125 mm (162,4 in)
H	1950 mm (76,8 in)
I	1850 mm (72,8 in)
L	1500 mm (59,1 in)
M	1850 mm (72,8 in)
P	1460 mm (57,5 in)
Q	3555 mm (140 in)
S	1433 mm (56,4 in)
T	200 mm (7,9 in)

MAX
2600 kg / 5732 lb



EN1459 Annex-B

26.6

DIECI, A STRONG COMPANY

EXPERIENCE FOR INNOVATION

We design and build work vehicles since 1962, and today we are recognized as one of the most important global players.

Proudly Italian, with general headquarters in Emilia Romagna of over 135,000 square meters and about 400 people employed, thanks to 3 European branches in Germany, United Kingdom, France and a global network of over 400 dealers, Dieci is present in over 70 countries.

Research and development of innovative technologies, training and customer care are incessantly at the center of our activities: the result of this constant commitment is realized in an offer that includes 159 models in production, including construction, agricultural, industrial and special vehicles.

In the last 2 years we have renewed 80% of the product range, to offer our customers increasingly advanced, performing, reliable and safe solutions.

We have made important upgrades on comfort and design, to **give value to the most important element for us: man.**

1962 **FOUNDED**

135.000 **m²**

400 **EMPLOYEES**

159 **MODELS**

19 **FAMILIES**

MINI AGRI

26.6

DIECI

www.dieci.com

