

Pilot Modular MI4034 Horizontal Shaft Impact Crusher

PRODUCT NAME: MI4034 Horizontal Shaft Impact Crusher
 DOCUMENT NO: PCS-07-02-79
 REV: 00
 DATE: NOV 2015

innovative mobile crushing, screening and washing solutions

SPECIFICATIONS SHEET

DESCRIPTION

The Pilot Modular MI4034 is a skid mounted, primary loading and crushing plant. It is fitted with a heavy duty, horizontal shaft impact crusher. It is suitable for hard rock, construction and demolition waste, asphalt and river rock crushing. It is designed to operate under harsh conditions and in diverse quarrying, mining and recycling applications.

HORIZONTAL SHAFT IMPACT CRUSHER

Rotor Size: 40" x 34" (1015mm x 865mm)
Rotor Configuration: 2 or 4 hammer heavy duty solid rotor
Impact Hammers: Reversible high chrome alloy
Feed Opening: 890mm x 860mm
Frame: Low carbon steel fabricated body, welded
Bearings: Spherical self-aligning roller bearings
Impact Apron: Hydraulically adjustable primary and secondary
Apron Setting Range: 20mm to 150mm
Shaft: Medium carbon steel, machined shaft
Lubrication: Grease
Operating Speed: 500rpm to 700rpm
Maximum Feed Size: 400mm (*Recommended maximum reduction ratio 6:1*)
Capacity: Up to 150mtph
Drive: Pulleys and v-belts
Power: 110kW 380V electric motor

SKID FRAME

Frame: Heavy duty support structure
Accessories: Access ladder, hand rails and safety guards, crusher inspection platform, crusher discharge dead-box chute, easy access for maintenance

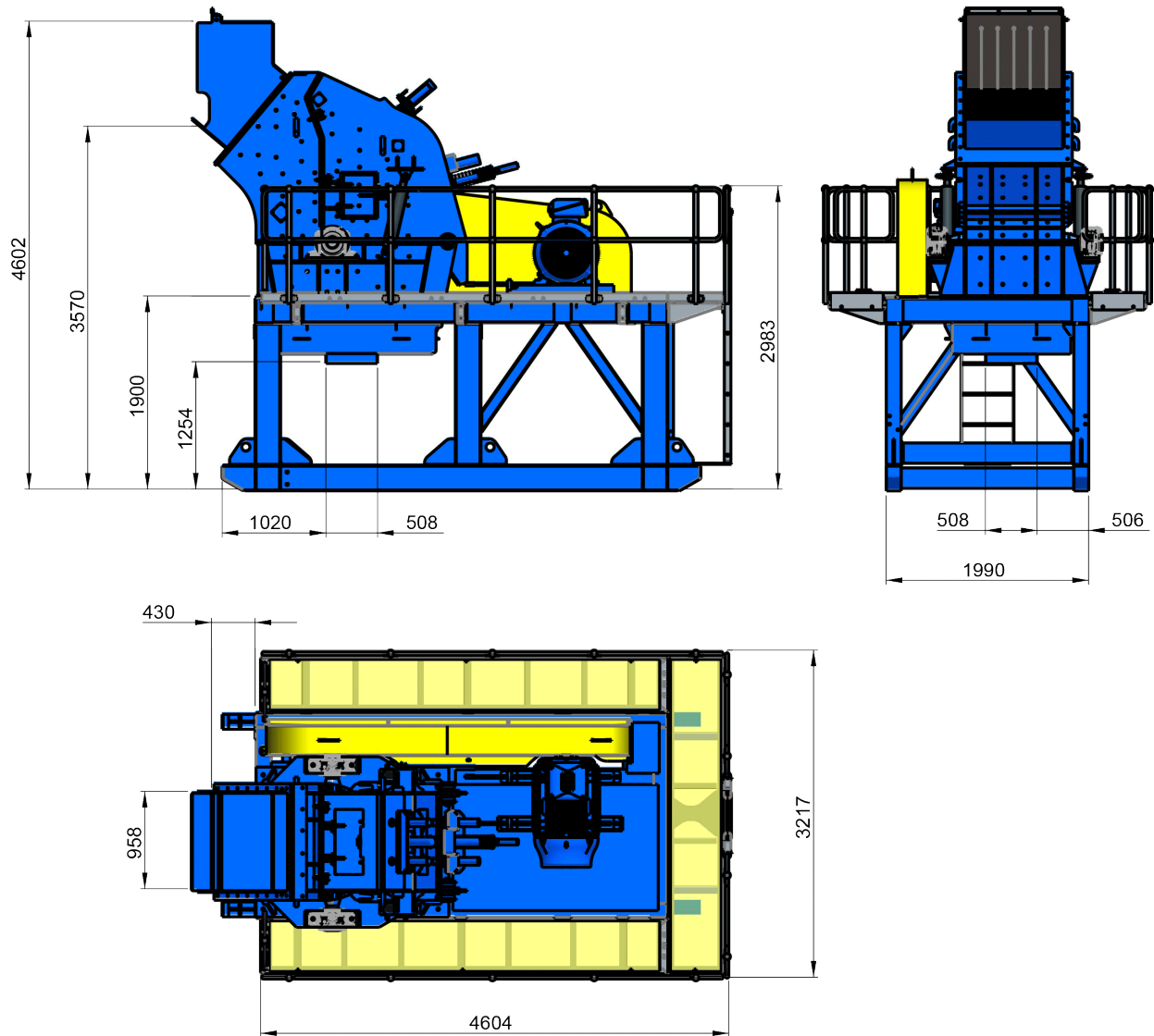
ESTIMATED WEIGHT

Total: 17,000kg



WORKING DIMENSIONS

The working dimensions of the Pilot Modular MI4034 Impact Crusher



Note: all capacities are provided as an application aid. No performance guarantees are expressed or implied. Maximum feed size is indicative, actual feed size will depend on the type of material. Contact PILOT CRUSHTEC or your local representative for assistance. All reasonable steps have been taken to ensure the accuracy of this publication however due to our policy of continual product development we reserve the right to make change to specifications shown herein, or add improvements at any time, without notice or obligation.