

Mixokret M 760 NEW Generation at a glance

- **Made in Germany**
- **Extremely powerful drive unit - peak performance for large construction sites**
- **Innovative exhaust air system and improved cooling capacity**
- **New control for easy and quick operation** in accordance with the latest safety regulations
- **Extremely robust and impact resistant hood**
- **High resale value**
- **Low noise level** - high level of user friendliness
- **Two-years warranty on engine and compressor** for additional investment security
- **Optimised maintenance and service features** for reduced operating costs
- **Robust, outstanding** application versatility
- **Powerful 4-cylinder Deutz diesel engine**
- **New, more reliable radio remote control for scraper**
- **Car or truck coupling (optional), integrated crane loop**
- **Long-life, galvanized and reinforced feeder container**
- **Numerous equipment variants**



Watch our video for further information on the Mixokret M 760 NEW Generation, in particular about the Putzmeister test series and quality assurance at www.pmmortar.com/M740 or the Putzmeister Mörtelmaschinen Youtube channel at www.youtube.com/PMMoertelmaschinen.



Putzmeister Mörtelmaschinen GmbH
Max-Eyth-Straße 10 · 72631 Aichtal
Tel. +49 (7127) 599-0 · Fax +49 (7127) 599-743
mm@pmw.de · www.pmmortar.com



Mixokret M 760 *NEW Generation*

Maximum performance for large screeding jobs



Subject to technical modifications and errors © by Putzmeister Mörtelmaschinen GmbH 2014. All rights reserved. Printed in Germany (31404Sc) MM 4563 GB

Made in Germany.



Mixokret M 760 NEW Generation – because only quality counts

Powerful drive for the highest jobsite demands

By conviction – made in Germany

Mixokret M 760 represents maximum power with high efficiency and reliability. Like many of our customers, Putzmeister consistently focuses on quality Made in Germany. All main Mixokret M 760 NEW Generation components such as engine and compressor are a product of German development and manufacturing.



Higher, longer, more efficient – Innovations made by Putzmeister

The perfect interaction of engine, compressor and hydraulic mixer drive gives the Mixokret M 760 its high performance. Large construction sites with up to 50 stories or 200 m horizontal – no problem for the Mixokret M 760.

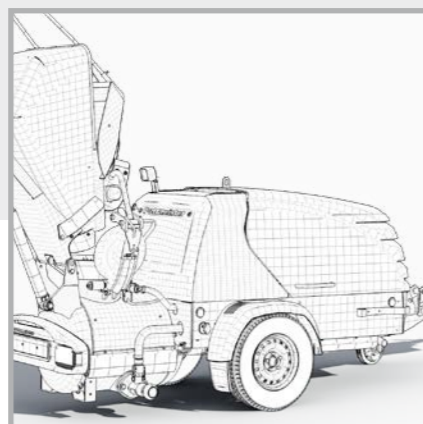
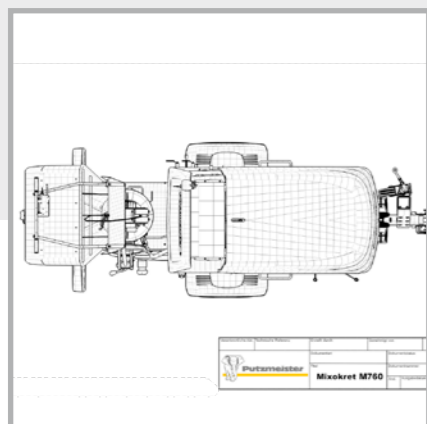
The new compressor ensures that the pump operates more consistently and wear resistant. In other words, it maintains a constant material flow and reduces movements of the delivery hoses.

With the oil-cooled 4-cylinder Deutz diesel engine, one of the most reliable of its kind, the Mixokret M 760 is rarely pushed to its limits. In idling speed, the engine regulates its speed automatically down. This makes it more quiet, saves fuel and has lower wear.



Everything under one roof

From R & D to production and testing of our machines – more than 200 employees at Putzmeister Mörtelmaschinen work tirelessly to make your working day easier. However, it is our customers and their daily challenges on the construction site who create a stimulus for improvement.



Your benefits at a glance

- **Powerful 4-cylinder engine**, power reserve for large construction sites
- **Extremely robust and impact resistant hood**
- **Optimised maintenance and service features** for reduced operating costs
- **Hydraulic mixer drive**, flexible with low maintenance
- **High finishing quality** – high resale value
- **Fuel efficient and wear resistant** due to automatic engine speed control
- **Innovative exhaust air system and improved cooling capacity**
- **Two-years warranty on engine and compressor** for additional investment security
- **New, more reliable radio remote control for scraper**
- **New control for easy and quick operation**

Right at home on large construction sites worldwide – built to last

Secure investment – trust is good, tested is better

A hood that withstands any impacts

We have applied our vast experience in designing construction machinery for the toughest conditions to redevelop the Mixokret M 760. The hood is manufactured of high-strength, extremely impact-resistant plastic. It easily withstands the impact of a hammer falling from a height of 10 m and makes your Mixokret M 760 both extremely durable and easy to maintain. The surface prevents dust and dirt from accumulating and is therefore quick and easy to clean.



Improved cooling capacity

The innovative exhaust air system, an additional exhaust air shaft and improved cooling capacity increase the user-friendliness of the machine significantly. Cool air is supplied to engine and compressor by ventilation slots in the hood. The exhaust pipe is located under the chassis so that the operator is not standing in the exhaust discharge area.



Designed for real life

The new generation offers you improvements in the field of service, maintenance and user friendliness and therefore lower operating costs. The easier it is to access all components on the machine, the less time and money is invested to complete essential work. We offer you even greater operating comfort and durability in every area for maximum reliability of your machine.

Tested under toughest conditions

Our claims are backed up by extensive testing: 100,000 kilometres of testing for each newly developed machine as standard. Quality assurance has top priority. Only those that make it through this test are good enough for you. The result: a more powerful, durable Mixokret M 760 that can handle the toughest of jobs. That is what we understand by „Made in Germany“.

More efficient and ergonomic

With hydraulic skip and scraper the operator can already prepare the following mixture during the delivery process.

Both skip and scraper and the optimised radio remote control offer even greater reliability and ergonomic operating comfort.

Everything you need to control your Mixokret M 760 is within view and easy to reach. The on/off switch, emergency stop and pressure gauge are always visible. All other instruments are well-protected under the cover. You always have a clear view of all important parameters such as mixing time settings, battery level, fuel indicator and operating hours.



Mixokret M 760 NEW Generation

Technical data

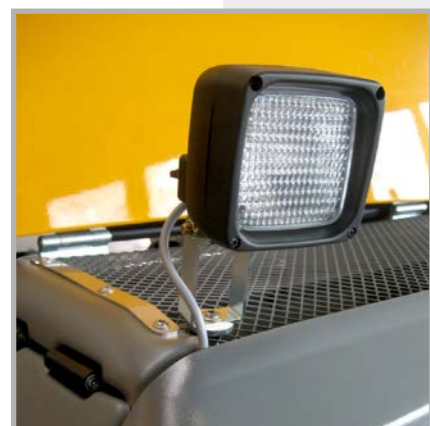
	M 760 DH	M 760 DHB	M 760 DHBS
Compressor	5.0 m³/min; cut-off pressure 8 bar		
Drive	4-cylinder Deutz diesel motor, 46 kW at 2600 rpm		
Delivery pressure	8 bar	8 bar	8 bar
Delivery range/height*	200 m/50 storeys	200 m/50 storeys	200 m/50 storeys
Delivery rate (theor. max.)*	4 m³/h	4.8 m³/h	5 m³/h
Weight (fully refuelled)	1720 kg	1826 kg	1900 kg
Filling height	820 mm	400 mm	400 mm
Maximum grain size	16 mm	16 mm	16 mm
Length × width × height	4780 × 1480 × 1520 mm	5075 × 1480 × 2431 mm	5075 × 1480 × 2431 mm
Chassis	with brakes, approved for road use		
Tank capacity	60 l	60 l	60 l
Version	Basic	with skip	with skip and scraper

* Data depends on material and machine configuration



Material properties from the finest grain size to a maximum of 16 mm

- **Semi-dry screed**
- **Sand** – the Mixokret M 760 conveys washed sand with a maximum particle size of 8 mm (dry or moist)
- **Fine grain and gravel** – not a problem with the normal grading curve design. Free-flowing material with a grain size of 4 to 8 mm and gravel with a grain size of 4 to 16 mm can be conveyed
- **Concrete** – fine concrete, polystyrene concrete and light-weight concrete with expanded aggregate, with a maximum grain size of 16 mm



Supplied as standard

- Crane loop
- Central lubrication system
- Working light
- Car coupling
- Fuel level indicator

Optional

- Painted hood in RAL colours
- Customer labelling
- Truck coupling
- 100 km/h chassis
- High-pressure cleaner
- Mixing time control
- Backlight beam 24 V
- Front & back side vessel wear plates
- Hardox or plastic wear plates
- Support feet
- Cable remote control (scraper)
- GPS System



Putzmeister Service – always close to you

Our machines are durable and robust but components may have to be replaced every now and then. The maximum availability of your Mixokret M 760 parts must be guaranteed, which is why we have a large warehouse at our main plant in Aichtal and our After Sales Service stations all over the world, where we stock all major spare and wear parts.

- **Service centres** in more than 150 countries worldwide
- **Putzmeister service hotline** Tel.: +49 (7127) 599-699
- **Tested original parts** with quick supply service
- **12000 different spare parts on stock**
- **Manufacturer inspection according to German Engineering Federation requirements** (certified as per EN ISO 9001)
- **Individual training courses and seminars** in the Putzmeister Academy

