



M-28U

M-38U

ZERO-TAIL MINI-EXCAVATOR



PROPORTIONAL SERVO-CONTROLLED
ROLLERS ON THE JOY-STICKS
FOR THE BOOM SWING AND THE
SINGLE AND DOUBLE EFFECT P.T.O.



FEATURES

- Innovative design with the tail always remaining within the width of the tracks (**Zero Tail Swing**).
- **Fully servo-controlled machine: the boom swing and the P.T.O. are controlled by rollers on the joy-stick**(no pedals in the cab).
- Straight travel contemporary with all arms/bucket manoeuvring.
- Rollers and idler wheels with rolling bushing for a remarkable increasing in the traction and life time performances.
- Gear motors shift automatically from the second to the first speed (AUTO TWO SPEED).
- STANDARD EQUIPMENT:** Canopy according to TOPS-FOPS norms - Standard bucket of mm 450 (SAE capacity lt. 64) - 2-speeds travel electric switch - Oil recovering system on dipstick ram - 1200 mm. Long dipstick - Hydraulic Power Take-Off (**P.T.O.**)
- For **M-28U** 1200 mm. Long dipstick.
- For **M-38U** 1350 mm. Long dipstick.

- OPTIONAL EQUIPMENT:** Buckets of mm 250, 350, 450, 500 standard, for rocks and for Quick Hitches - Buckets for slopes standard or swivelling - Buckets for cleaning - Hydraulic breaker - Hand breaker - Hydraulic drill - Grass-bush cutter - Steel tracks - Cab with heating according to TOPS norms - Air conditioning - Tilting dozer blade.
- For **M-28U** 1500 mm longer arm (200 Kg extra ballast compulsory).
 - For **M-38U** 1700 mm longer arm.

TECHNICAL DATA

ENGINE

- Make and model Kubota D1703M
- Max power at 2800 rpm (DIN 6271) HP/Kw 37.2 / 27.4
- **M-28U** Rated power at 2200 rpm HP/Kw 34 / 25
- **M-38U** Rated power at 2400 rpm HP/Kw 36 / 26.5
- Cylinders N° 3
- Displacement cm³ 1647
- Cooling water
- Battery N° 1 - 12 V - 80 Ah

REFUELLING

- Fuel tank capacity lt 35
- Hydraulic oil tank capacity lt 56

TECHNICAL DATA

HYDRAULIC SYSTEM

- Hydrostatic transmission with orbital motors and planetary reduction gears with negative brakes.
 - Travelling counter-balance valves.
 - N.2 variable displacement piston pumps + gear pump
- | | M-28U | M-38U |
|--|----------|----------|
| Lt/min | 32.5 x 2 | 35.4 x 2 |
| + 26.5 | + 28.9 | |
| - Total delivery Lt/min | 91.5 | 100 |
| - Auxiliary hydraulic flow for P.T.O. Lt/min | 59 | 64.5 |
| - Max working pressure bar | 250/230 | 250/230 |
| - Slew speed g/min | 9.0 | 10.0 |
- (with piston motors and negative brake)
- Boom, arm, bucket and slew actuated by servo-controlled joysticks.
 - Proportional servo-controlled rollers on the joy-sticks for the boom swing and the single and double effect P.T.O. Levers to control track and dozer blade;
 - Heat exchanger for oil cooling.

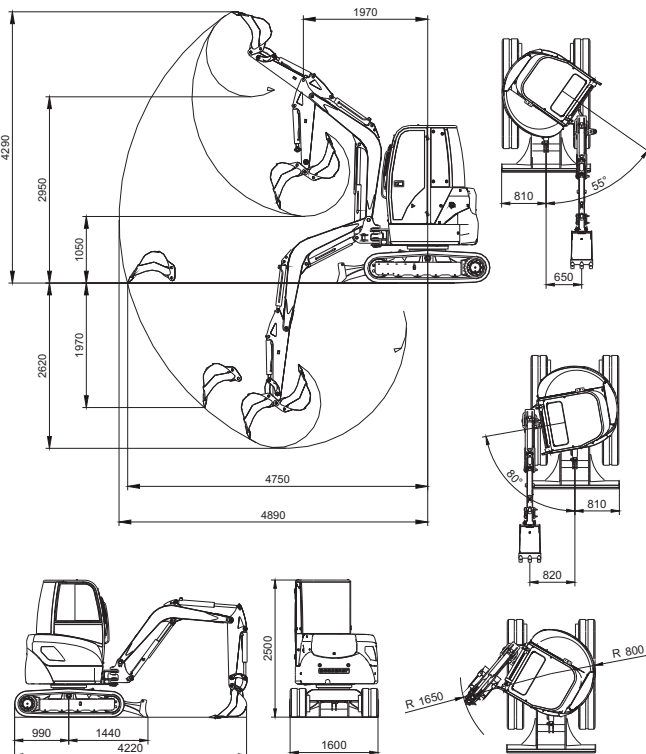
UNDERCARRIAGE

- Box section steel frame
 - Track type and width mm
 - Track bearing rollers N°
 - Track tensioning
 - Dozer blade mm
- | | M-28U | M-38U |
|------------------|-------|------------|
| rubber | 300 | |
| 4+4 low / 1+1 up | | |
| grease | | |
| 300 x 1620 | | 310 x 1760 |

PERFORMANCES

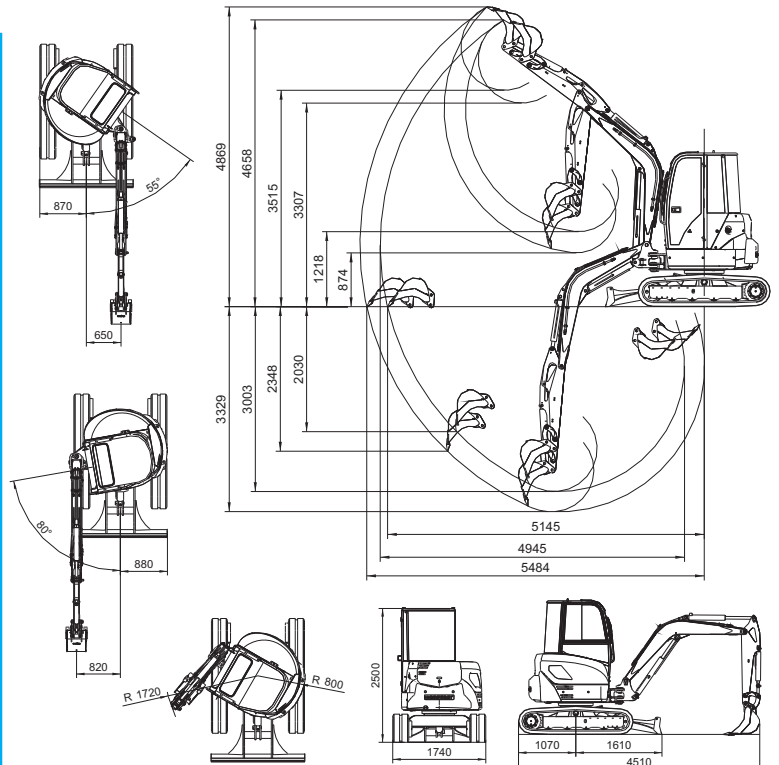
- Shipping weight with canopy Kg 2750
- Operating weight with canopy Kg 2850
- Shipping weight with cab Kg 2900
- Operating weight with cab Kg 3050
- Break out force daN 2620
- Digging force daN 1725
- Travel speed Km/h 2.4/4.3
- Max gradient capability more than % 100
- Specific ground pressure Kg/cm² 0.28

M-28U



DIMENSIONS AND PERFORMANCES

M-38U



Data, features and pictures are not binding and may be altered without any notice.



MESSERSI S.p.A.

Via Arceviense, 44 - 60010 CASINE di OSTRÀ (AN) Italy
Web: www.messersi.it E-mail: export@messersi.it

Tel. +39.071.688771 r.a. - Fax +39.071.688586



90060108