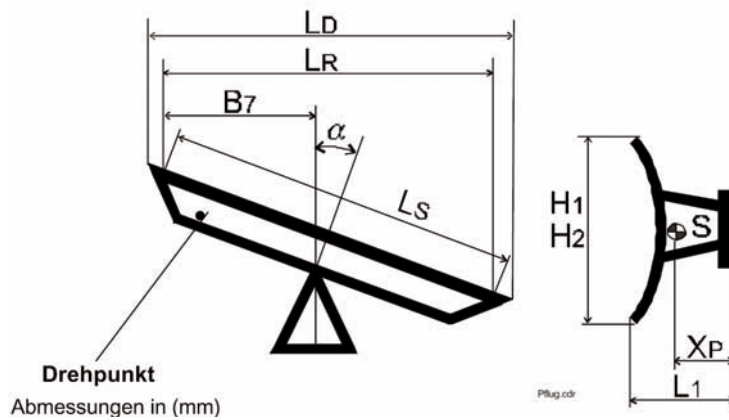


ML 51-A & CPS 5.3 Motorway Snow Ploughs



For clearing motorways and multi-lane arterial roads.





ML 51-A & CPS 5.3 Motorway Snow Ploughs

The combination of the ML 51-A snow plough and the CPS 5.3. lateral snow plough achieves a clearing width of up to 6 300 mm and is ideal for clearing multi-lane arterial roads quickly.

Customised and Efficient

The multi-blade system of the ML 51-A ensures an excellent clearing quality of up to 4 420 mm wide with its five blade sections which are individually suspended and perfectly adapt to the road surface. This results in thorough and efficient snow removal even at high speeds. A maintenance free deviation system ensures the steering arm guided plough blades simply run over surface obstacles without the plough blade being damaged. The outer blades can be hydraulically folded during transportation to reduce the passage width.



Safety of the Motorways

The combination of the five-blade ML 51-A and the single-blade lateral snow plough CPS 5.3 is intended for use on motorways or similar multi-lane arterial roads. Aggressive clearing of large amounts of snow is easily tackled by this snow plough combination and clearing in formation is also possible. Both of the snow ploughs can be folded in ensuring the carrier vehicle's flexibility while in use.

Extra Width Advantage

The CPS 5.3 is a 3 300 mm wide, single blade, torsion resistant lateral snow plough. It was specially designed for aggressive snow removal and like the ML 51-A is equipped with a deviation system. The butterfly valved deviation system prevents damage to the plough blade by surface obstacles. The lateral snow plough can be easily retracted hydraulically to negotiate narrow passages. When the ML 51-A and the CPS 5.3 are completely extended they have a clearing width of 6 300 mm.

Technical Data	ML 51-A	CPS 5.3
Snow plough height, left (mm)	920	980
Snow plough height, right (mm)	920	1 400
Cutting edge length (mm)	5 100	3 300
Clearing width (mm)	4 420 (at 30°)	1 390 (at 40°)
Number of blades	5	1
Operational weight ca. (kg)	1 430	853
Weight ca. (kg)		

Status 07/2007 Copyright © SCHMIDT Holding GmbH. All rights reserved. Errors and amendments excepted.

