

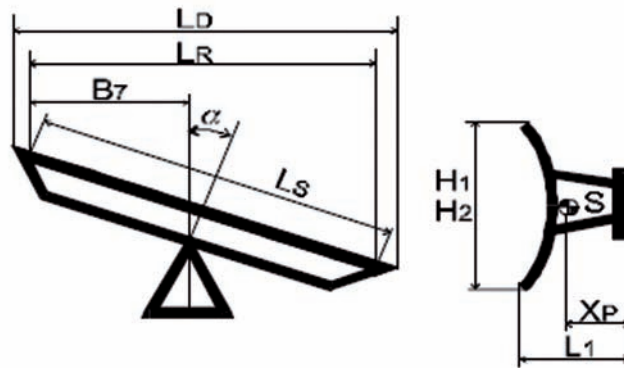
CIRRON

Multi-Bladed Snow Ploughs



For highly demanding snow clearance at medium altitudes with carrier vehicles.



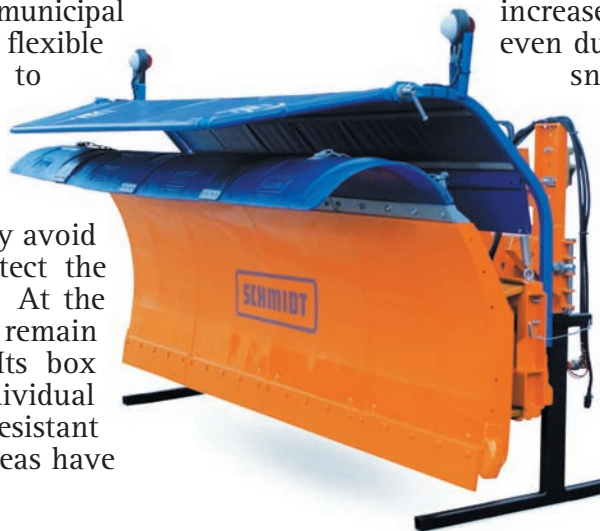


CIRRON Multi-Bladed Snow Ploughs

Each multi-bladed snow plough of the CIRRON series is fitted with a patented deviation system. Especially designed for highly demanding snow clearance, they are particularly suitable for removing large snow masses at medium altitudes.

Robust and Flexible

The CIRRON snow ploughs really demonstrate their strengths when used for municipal and motorway clearing. Their flexible blade control enables them to adapt precisely to the road surface. Each blade section is equipped with four pre-stressed, elastomer spring links which can automatically avoid obstacles and therefore protect the snow plough from damage. At the same time, the plough blades remain in their clearing position. Its box section design makes the individual blades extremely torsion resistant and all the power transfer areas have been reinforced.



Operating Advantages

The two swivel cylinders provide increased force for changing sides even during operation. The patented snow plough lifting system enables the tension free lifting and lowering of the plough. The equipment mounting plate is height adjustable, which makes it possible to optimally position the CIRRON range on various vehicle mounting plates. The polyurethane snow dust protector is elastic and due to its patented gap covering, prevents the snow slush from forcing its way between the blades. Each of the outer blades can be raised.

Quiet and Ready for Action

Plastic bushing in the slide shoe holder, the elastomer spring links and the parallelogram lifting arm, all contribute to the smooth running and low noise level of the CIRRON. The securely welded kerb deflector prevents the plough from scraping against kerbs and edges when clearing inner-city areas.



Technical Data

	SL 24	SL 27	SL 30	SL 32	SL 34	SL 36	SL 40
Snow plough height (mm)	930	930	930	930	930	930	930
Cutting edge length (mm)	2 400	2 700	3 000	3 200	3 400	3 600	4 000
Clearing width at 30° (mm)	2 035	2 290	2 540	2 710	2 880	3 050	3 390
Number of blades	3	3	4	4	4	4	5
Weight ca. (kg)	660	700	755	775	805	860	965

Status 07/2007 Copyright © SCHMIDT Holding GmbH. All rights reserved. Errors and amendments excepted.

