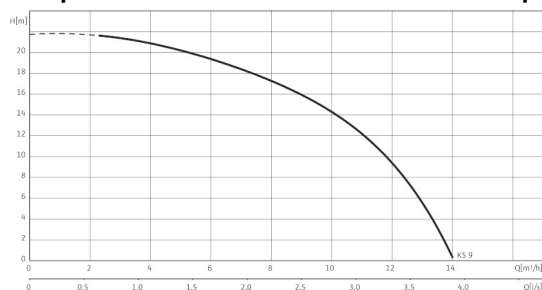


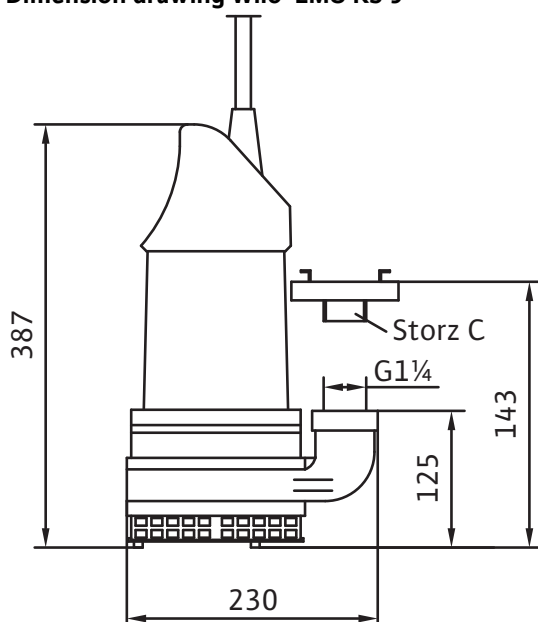
Data sheet: Wilo-EMU KS 9 D

Pump curves Wilo-EMU KS 9 - 50 Hz - 2900 rpm



Pump curves in accordance with ISO 9906, Appendix A

Dimension drawing Wilo-EMU KS 9



Unit

Max. delivery head	H_{max}	21 m
Max. volume flow	Q_{max}	14 m ³ /h
Optimal delivery head	H_{opt}	17 m
Optimum volume flow	Q_{opt}	8 m ³ /h
Pressure connection		G 1¼
Flanges (according to EN 1092-2)	PN	10
Free ball passage		5 mm
Operating mode (immersed)		S1
Operating mode (non-immersed)		S1
Max. immersion depth		12.5000 m
Protection class		IP 68
Fluid temperature	T	+3 ... +40 °C
Weight approx.	m	19 kg

Motor data

Mains connection		3~400 V, 50 Hz
Nominal current	I_N	1.90 A
Nominal motor power	P_2	0.75 kW
Power consumption	P_1	1.10 kW
Activation type		Direct
Nominal speed	n	2900 rpm
No. of poles		2
Insulation class		F
Max. switching frequency		15 1/h

Cable

Length of connecting cable		10 m
Cable type		H07RN-F
Cable cross-section		4G1,5 mm ²
Type of connecting cable		Detachable
Mains plug		CEE M 16 W

Equipment/function

Float switch		-
Motor protection		-
Explosion protection		-

Materials

Static seal		FPM
Impeller		EN-GJL-250

Data sheet: Wilo-EMU KS 9 D

Sealing on motor side	C/Al-oxides
Mechanical seal	SiC/SiC
Motor housing	G-Al Si12
Pump housing	EN-GJL-250

Information for order placements

Make	Wilo
Art no.	6019743
EAN number	4044966092781
Ready for delivery	Stock
Discount group	W8