

# HYVA<sup>®</sup> CRANE HV SERIES



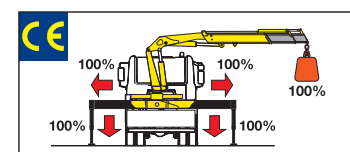
MODELS	LIFTING MOMENT tm	MAX VERTICAL REACH m	SLEWING ANGLE °	SLEWING TIME s/180°	MAX WORKING HEEL °	WORKING PRESSURE bar	CRANE WEIGHT WITHOUT STABILIZERS kg	OIL TANK CAPACITY l	OIL FLOW l/min	DIMENSIONS mm B x h x S
HV27 E2	2,60	7,93	370	13	4	205	330	17,5	10	1900x1635x352
HV27 E3	-	9,19	370	13	4	205	360	17,5	10	1900x1635x352
HV47 E1	4,30	7,22	380	16	4	270	565	48	14	2155x1955x420
HV47 E2	-	8,51	380	16	4	270	615	48	14	2155x1955x420
HV47 E3	-	9,81	380	16	4	270	660	48	14	2155x1955x420
HV77 E1	7,55	7,81	380	16	4	250	770	48	16	2320x2030x565
HV77 E2	-	9,22	380	16	4	250	830	48	16	2320x2030x565
HV77 E3	-	10,64	380	16	4	250	890	48	16	2320x2030x565
HV107 E1	9,56	9,30	380	15	4	275	1030	100	25	2490X2320X635
HV107 E2	-	11,08	380	15	4	275	1130	100	25	2490X2320X635
HV107 E3	-	12,95	380	15	4	275	1220	100	25	2490X2320X690
HV147 E1	13,9	9,54	11,31	380	15	4	285	1375	100	2500X2455X820
HV147 E2	-	11,31	13,17	380	15	4	285	1490	100	2500X2455X820
HV147 E3	-	13,17	15,06	380	15	4	285	1595	100	2500X2455X820
HV197 E1	19,1	9,35	11,05	380	15	4	295	1715	150	2500X2475X920
HV197 E2	-	11,05	12,84	380	15	4	295	1850	150	2500X2475X920
HV197 E3	-	12,84	14,62	380	15	4	295	1975	150	2500X2475X920
HV227 E1	20,5	9,35	11,05	380	15	4	315	1745	150	2500X2475X945
HV227 E2	-	11,05	12,84	380	15	4	315	1880	150	2500X2475X945
HV227 E3	-	12,84	14,62	380	15	4	315	2005	150	2500X2475X945

E = Number of hydraulic extensions, - E3 = three extensions

## Stability control system (CE)

No HV27

### HM System



The HM System integrated in the load limiting device checks the stabilizers' positions. Only when all beams are fully open and all stabilizers are on the ground the crane can operate and lift loads.



Control display

## The crane that respects the environment!



### Less welding

- Less emission of nitrous oxide, oxides of carbon and particulate material. **-30%**
- Less energy required for each crane. **- 40kW!**

### Water-based paint

- Less solvent emissions thanks to the use of water-based bi-component paint. **-96%**

### "GREEN" oils option

- You can choose to use high biodegradability oils, that ensure protection to ground and waters and comply with anti-pollution standards.

### Less fuel consumption

- Less weight and low working pressures result in a reduction of the vehicle weight. That means less gas emissions and less fuel consumption.

## TRUCK-MOUNTED CRANES HV Series



Tipping Solutions | Container Handling | Waste Handling | Cranes



Quality and environmental certified

## HYVA<sup>®</sup> CRANE

Hyva Holding B.V.  
Antonie van Leeuwenhoekweg 37  
2408 AK Alphen aan den Rijn  
The Netherlands  
Telephone: +31 (0)172 - 42 35 55  
Telefax: +31 (0)172 - 42 08 80  
info@hyva.com  
www.hyva.com  
www.hyvacrane.com

Dealer

Data, descriptions and illustrations pertain only and uniquely to models sold at the time of printing of this brochure. After the date of printing, this information is purely indicative and not binding upon HYVA. Future modifications are solely at the discretion of HYVA and are always in compliance with applicable and pertinent safety standards. To obtain updated data, descriptions and illustrations, contact the manufacturer or your reseller. Cranes manufactured and/or marketed by HYVA. - Les données, les descriptions et les illustrations se rapportent seulement et exclusivement aux modèles commercialisés à la date d'impression de ce dépliant. Après la date d'impression, ces informations sont simplement indicatives et n'engagent pas HYVA. D'éventuelles modifications sont à la discrétion d'HYVA et toujours dans l'observance des normes de sécurité pertinentes et applicables. Pour obtenir les données, les descriptions et les illustrations actualisées, s'adresser au fabricant ou au revendeur. Cranes produits et/ou vendus par HYVA. - Daten, Beschreibungen und Abbildungen betreffen sich ausschließlich auf die zum Zeitpunkt des Drucks dieser Broschüre vertriebenen Modelle. Nach diesem Datum verstehen sich diese Informationen als rein referenzierend und sind in keinem Fall für HYVA verbindlich. HYVA behält sich vor, nach eigenem Ermessen und in jedem Fall unter Berücksichtigung der zugehörigen und geltenden Sicherheitsvorschriften Änderungen vorzunehmen. Bitte wenden Sie sich für aktuelle Daten, Beschreibungen und Abbildungen an den Hersteller oder Händler. Die Krane werden von HYVA hergestellt und/oder vermarktet. - Os dados, descrições e ilustrações referem-se única e exclusivamente aos modelos comercializados à data da impressão deste folheto. Após a data da impressão, estas informações são meramente indicativas pelas quais a HYVA não se responsabiliza. Eventuais alterações ficam ao critério da HYVA e estão sempre em conformidade com as normas de segurança pertinentes e aplicáveis. Para obter dados, descrições e ilustrações atualizadas, contacte o fabricante ou revendedor. Guadante produzido(s) e/ou comercializado(s) pela HYVA.

M.K.T. 5.80.0342. Date of printing - Date d'impression - Zeitpunkt des Drucks - Data da impressão: 01/03/2017. REV.2

## TRUCK-MOUNTED CRANES HV Series



www.hyva.com

## STANDARD

- Dual-side controls
- Hexagonal booms
- Sliding pads on telescopic extensions
- Self-lubricating bushings
- Manually opening stabilizers
- Swivel stabilizer foot (CE)
- Proportional pressure transducer on main cylinder (CE) (No HV27)
- Sensor for correct stowing of the crane (CE)
- Designed in accordance with: EN12999-DIN15018
- Fatigue test classification: B3
- Load limiting device (CE) (No HV27)
- Mechanical rotation limitation (CE)
- Light indicator for correct stabilizer stowing (CE)
- Oil tank

## ACCESSORIES

- Supplementary elements activation
- Assembly kit
- Winch (No HV27 - HV47 E1)
- Hydraulic opening stabilizers (HV147 - HV197)
- Extra cross beams
- Manual extensions
- Manually extra extensible stabilizers (HV77 - HV107)
- "Green" Oil\*

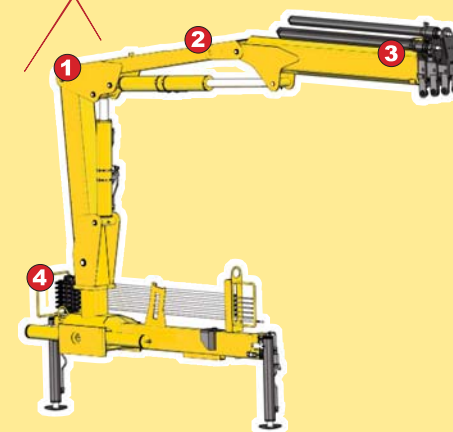
\*) Eco-friendly



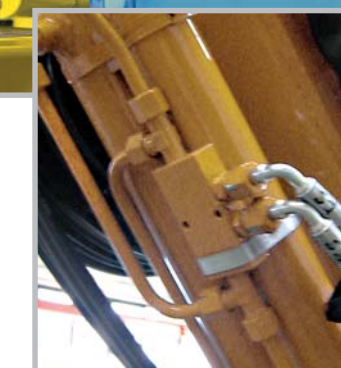
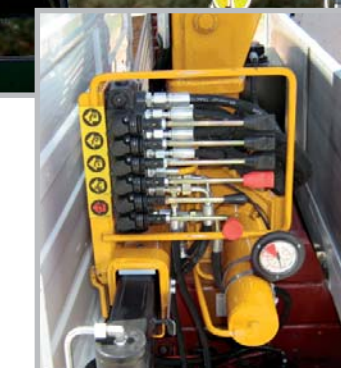
# HYVA<sup>®</sup> CRANE V7 SERIES



## V-FORCE!



- 1 Simplified structure thanks to one-piece high-tensile steel tubing (up to 40% weight saving).
- 2 Higher load capacity with extensions retracted.
- 3 Less installation space required due to in-line second boom.
- 4 Lower hydraulic pressure requested:
  - Only gear pump necessary (HV27)
  - Less stress on the crane's components
  - Less heating.



<b>HV27 E2</b>	
kg	2600* 1300* 835 575 440 325
m	1,00 2,0 3,11 4,31 5,50 6,80
<b>HV27 E3</b>	
kg	2520* 1260* 785 535 405 325
m	1,00 2,0 3,20 4,40 5,60 6,80
<b>HV47 E1</b>	
kg	4300* 2150* 1325 965 705
m	1,00 2,00 3,23 4,44 5,75
<b>HV47 E2</b>	
kg	4170* 2085* 1250 900 705 540
m	1,00 2,00 3,33 4,54 5,75 7,06
<b>HV47 E3</b>	
kg	4060* 2030* 1180 845 650 540 425
m	1,00 2,00 3,43 4,64 5,85 7,06 8,37
<b>HV77 E1</b>	
kg	7550* 3775* 2195 1560 1140
m	1,00 2,00 3,43 4,79 6,23
<b>HV77 E2</b>	
kg	7340* 3670* 2085 1470 1140 870
m	1,00 2,00 3,51 4,87 6,23 7,66
<b>HV77 E3</b>	
kg	7130* 3565* 1990 1405 1080 870 665
m	1,00 2,00 3,58 4,94 6,30 7,66 9,05
<b>HV107 E1</b>	
kg	9560* 3915** 2425 1720 1230
m	1,00 2,42 3,91 5,56 7,35
<b>HV107 E2</b>	
kg	9180* 3770** 2300 1605 1230 895
m	1,00 2,42 3,99 5,64 7,34 9,22
<b>HV107 E3</b>	
kg	8880* 3670** 2170 1485 1120 895 675
m	1,00 2,42 4,08 5,73 7,43 9,22 11,17
<b>HV147 E1</b>	
kg	13870* 5820** 3455 2485 1815
m	1,00 2,34 3,93 5,58 7,36
<b>HV147 E2</b>	
kg	13360* 5655** 3295 2355 1815 1380
m	1,00 2,34 4,01 5,66 7,36 9,23
<b>HV147 E3</b>	
kg	12830* 5525** 3160 2250 1715 1380 1015
m	1,00 2,34 4,08 5,73 7,43 9,23 11,14
<b>HV197 E1</b>	
kg	19110* 7965** 4715 3395 2510
m	1,00 2,33 3,98 5,63 7,41
<b>HV197 E2</b>	
kg	18600* 7765** 4520 3240 2510 1915
m	1,00 2,33 4,06 5,71 7,41 9,28
<b>HV197 E3</b>	
kg	17940* 7610** 4345 3100 2380 1915 1510
m	1,00 2,33 4,13 5,78 7,48 9,28 11,15
<b>HV227 E1</b>	
kg	20520* 8490** 5035 3645 2710
m	1,00 2,33 3,98 5,63 7,41
<b>HV227 E2</b>	
kg	20080* 8460** 4835 3485 2710 2075
m	1,00 2,33 4,06 5,71 7,41 9,28
<b>HV227 E3</b>	
kg	19370* 8315** 4670 3330 2570 2075 1640
m	1,00 2,33 4,13 5,78 7,48 9,28 11,15

\* ) Theoretical lifting capacity  
\*\* ) Fixed hook capacity