



**STRONG PARTNERS.
TOUGH TRUCKS.™**



EMPTY CONTAINER HANDLERS

H6XM-12EC3 / H7XM-12EC4

6000 – 7000 KG @ 1220 MM



MAST AND CAPACITY INFORMATION

H6XM-12EC3 – 6 000 kg @ 1 220 mm

| Stacking Height | Lift Height minimum h _{3.1.1} (mm) | Lift Height maximum h _{3.1.2} (mm) | Height mast lowered h ₁ (mm) | Free Lift h ₂ (mm) | Height mast extended h ₄ (mm) | Side Shift b _s (mm) | Overall Width b ₂ (mm) | Rated Capacity (kg) |
|-----------------|---|---|---|-------------------------------------|--|--------------------------------------|---|------------------------|
| 8' - 9'6" | | | | | | | | |
| 3 high | 2159 | 9018 | 5382 | 0 | 9494 | 250 | 2599 | 6000 |

H7XM-12EC4 – 7 000 kg @ 1 220 mm

| Stacking Height | Lift Height minimum h _{3.1.1} (mm) | Lift Height maximum h _{3.1.2} (mm) | Height mast lowered h ₁ (mm) | Free Lift h ₂ (mm) | Height mast extended h ₄ (mm) | Side Shift b _s (mm) | Overall Width b ₂ (mm) | Rated Capacity (kg) |
|-----------------|---|---|---|-------------------------------------|--|--------------------------------------|---|------------------------|
| 8' - 9'6" | | | | | | | | |
| 4 high | 2159 | 12069 | 6877 | 0 | 12482 | 250 optional 600 | 3199 | 7000 |

POWERTRAINS AND SPREADERS

| | | | | |
|-------------|-----|--|-------------------------|--|
| DESIGNATION | 1.1 | Manufacturer (abbreviation) | HYSTER | |
| | 1.2 | Manufacturer's type designation | H6XM-12EC3 / H7XM-12EC4 | |
| | 1.3 | Drive: electric (battery or mains), diesel, petrol, fuel gas | Diesel | |

| | | | | |
|------------|------------------------------------|---|---------|---------|
| POWER UNIT | 7.1 | Engine manufacturer / type | Cummins | QSB 6.7 |
| | 7.2 | Engine power according to ISO 1585 | 122 | 2,300 |
| | 7.2.1 | Max. engine power according to ISO 1585 | 125 | 2,100 |
| | 7.3 | Rated speed | 2,300 | |
| | 7.3.1 | Torque at 1/min | 732 | 1,500 |
| | 7.4 | Number of cylinders / displacement | 6 | 6,700 |
| | 7.8 | Alternator | 120 | |
| 7.10 | Battery voltage / nominal capacity | 24 | 102 | |

| | | | | |
|-------------|------|--|------------------------|----------|
| DRIVE TRAIN | 8.1 | Type of drive unit | Torque Converter | |
| | 8.2 | Transmission manufacturer / type | ZF | 3 WG 161 |
| | 8.6 | Wheel drive / drive axle manufacturer / type | Axle Tech | PRC 785 |
| | 8.11 | Service brake | Oil immersed disc | |
| | 8.12 | Parking brake | Dry disc on drive axle | |

| | | | | |
|----------|-------------------------|---|--------------------|----|
| SPREADER | 9.1 | Manufacturer / type | ELME 588 TB | |
| | 9.2 | Design | Side lift spreader | |
| | 9.3 | Size of containers | ISO 20' - 40' | |
| | 9.4 | Side shift | +/- 250 | |
| | 9.4.1 | Telescoping time, extend / retract | 17 | 14 |
| | 9.5 | Tilt horizontal (pile slope) mechanically / hydraulically | Mechanically | |
| | 9.6 | Rotation angle | 0 | |
| 9.7 | Longitudinal adjustment | 6096 - 12192 | | |

MODELS, STACKING HEIGHTS AND CAPACITIES

The Hyster Empty Container Handlers range H6XM-12EC3 / H7XM-12EC4 consists of following models:

- H6XM-12EC3 Empty Container Handler, maximum 6000 kg, stacking 3 x 8' or 8'6" or 9'6" high single containers.
- H7XM-12EC4 Empty Container Handler, maximum 7000 kg, stacking 4 x 8' or 8'6" or 9'6" high single containers.

All capacities are according to ISO 10525.

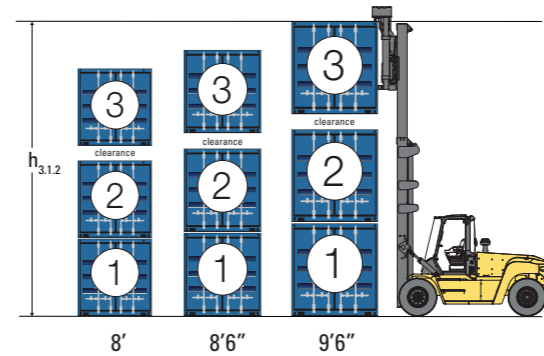
Warning: Care must be exercised when handling elevated loads.

When the spreader and/or load is elevated, truck stability is reduced. It is important that mast tilt be kept in back-tilted position or maximum in vertical position when mast / loads are elevated. Operators must be trained and adhere to the instructions contained in the Operating Manual.

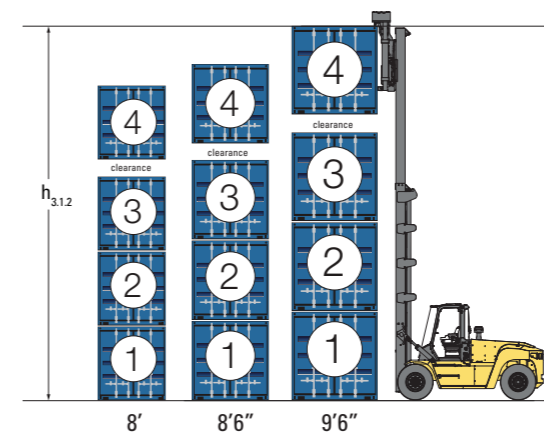


LIFT HEIGHT TO HANDLE 8' / 8'6" / 9'6" HIGH CONTAINERS

H6XM-12EC3 – 6 000 kg @ 1 200 mm – 3 high



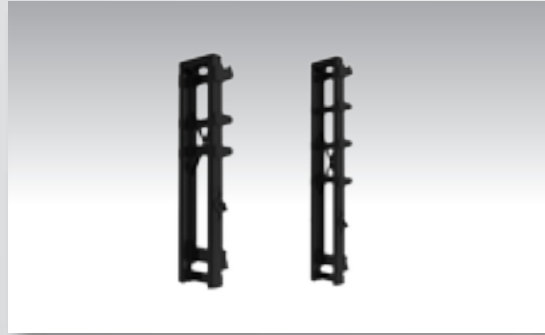
H7XM-12EC4 – 7 000 kg @ 1 200 mm – 4 high



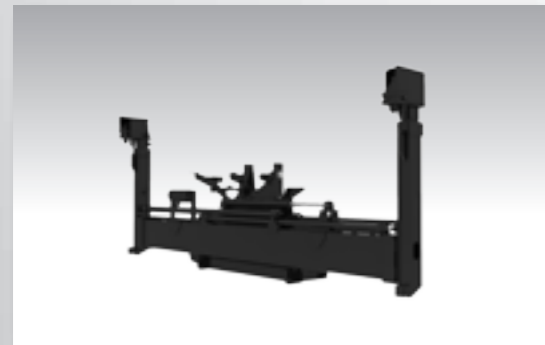
- b_{1.20} load width 20' or 6084 mm
- b_{1.40} load width 40' or 12218 mm
- l₆ load length 8' or 2438.4 mm
- W_a outer turning radius of the truck
- a 10% of b_{1.20} or b_{1.40}

$$Ast\ 20 = Wa + \sqrt{\left(X + C + \frac{l_6}{2}\right)^2 + \left(\frac{b_1}{2} - b_{13}\right)^2} + a$$

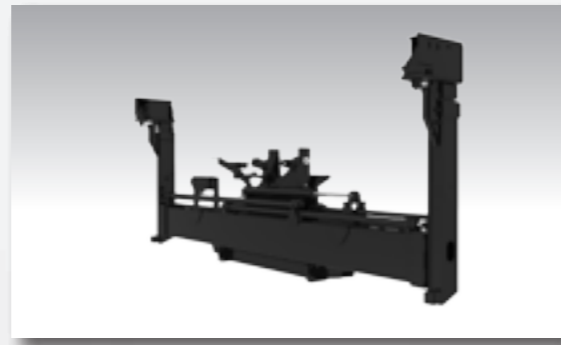
FRONT END EQUIPMENT



Range of 2 stage NFL masts



Single handling spreader model 588



Single handling spreader model 586

STANDARD EQUIPMENT

- Cummins QSB 6.7 122 kW / max 125 kW @ 2.300-2.100 rpm Turbo Diesel Engine
 - Stage IV Compliant
 - ECO-eLo / HiP performance modes
 - Hibernate Idle
 - Cooling fan with fan clutch
- ZFWG 161 3 speed Hydrodynamic Transmission
- Masts
 - 2-Stage NFL 3-high Mast with maximum lift height of 6922 mm
 - 2-Stage NFL 4-high Mast with maximum lift height of 9910 mm
- Spreader
 - ELME 588 TB Side lift spreader with vertical Twist locks, optical control on spreader and in the cab
- Oil-immersed Brakes
- SAUER-DANFOSS dual piston variable displacement pump 120 ccm (60 + 60 ccm)
- Axle Tech PRC 785 Drive axle with oil-immersed disc brake system
- Hydraulic Control 5 function Joystick
- Mast Tilt: 5° Forward / 5° Backward
- Directional Control Lever
- Enclosed Cab without Air Conditioning featuring:
 - Seat-Side Hydraulic Control Levers
 - Multifunction Display Panel
 - Interior Wide Angle Mirrors
 - Telescoping & Tilting Steering Column
 - I-style Front screen Wiper
 - 24-12 V DC/DC Converter
 - Top & Rear Wipers
 - Heater
 - Re-circulation Fan
 - Floor Mat
 - Isolated Mounting for Low Noise and Vibration
 - Handrails for Operator Entry and Exit
- Tyres – Drive and Steer
 - 12.00-20 20PR Trelleborg T-900 pneumatics
- Steering Wheel with Spinner Knob
- Electric Horn
- Mechanical, Full Suspension Vinyl or Cloth Seat with integrated adjustable armrest and orange Hi-Vis seat belt
- Air Intake with Sy-Klone pre cleaner
- Low mount exhaust
- 24 V Electrical System
- 120 Amp Alternator
- Manual Tilt Operator Compartment for Service Access

STANDARD EQUIPMENT (cont.)

- Light Kit 4
 - LED rear cluster with stop, reverse and direction light
 - 4 x Halogen working lights mounted on front of the cab
 - 2 x Halogen drive lights, 2 LED direction / marker lights mounted on front fender
 - 2 x Halogen working lights mounted on rear of cab
- LED direction and position light with hazard function
- Non-locking Fuel Cap
- Literature Package
 - Operator's Manual
- Warranty
 - 12 Months / 2,000 Hours Manufacturer's Warranty

OPTIONAL EQUIPMENT

- Spreader
 - ELME 586 TB Side lift spreader with vertical Twist locks with removable block, optical control on spreader and in the cab
- MONOTROL™ Pedal
- Tyres – Drive and Steer
 - 12.00 – R20 MICHELIN XZM radial
 - 12.00 – 20 Trelleborg Elite XP solids
 - 12.00 – R20 Trelleborg Radial pneumatics
- Front and Rear Mud Flaps
- Steer Wheel Nut Protection
- Enclosed Cab with Air Conditioning includes:
 - Seat-Side Hydraulic Control Levers
 - Multifunction Display Panel
 - Interior Wide Angle Mirrors
 - Telescoping & Tilting Steering Column
 - Floor Mat
 - 24-12 V DC/DC Converter
 - I-style Front screen Wiper
 - Top & Rear Wipers
 - Heater
 - Re-circulation Fan
- Enclosed Cab options
 - Top and rear sun shades
 - H-style Front screen Wiper
 - Temperature controller
 - Air conditioner, manual controlled
 - Air conditioner, automatically controlled
 - High Performance Air conditioner, manual controlled
 - High Performance Air conditioner, automatically controlled
 - Reading light
 - Trainer seat
 - IT console for on-board computer
 - Storage console
 - Heated top window
 - Engine start interlock
- Radio preparation, inclusive wire, two speakers and antenna
- Rain top for OHG
- Wire mesh protection guard on Top of cab
- External Mirror right and left
- Seats
 - Mechanical, Full Suspension High backrest Vinyl or Cloth Seat
 - Pneumatic, Full Suspension Vinyl or Cloth Seat
 - Pneumatic, Full Suspension High backrest Vinyl or Cloth Seat
 - Deluxe Air Suspended Full Suspension Cloth Seat
 - Heated Deluxe Air Suspended Full Suspension Cloth Seat
- 3-point seat belt for Deluxe Seat
- High Mount Air Intake
- Powered Tilt Operator Compartment
- Lockable Battery Disconnect Switch
- High mount exhaust
- Various Light Kits
- Amber strobe light- Ignition key and switch activated
- Self-adjustable back up Alarm volume > 5 dB(A) ambient
- Hydraulic Accumulator
- Lockable diesel fuel cap
- Lifting eye shackles
- Engine Block Heater (230 V)
- Traction Speed Limiter
- Automatic Engine Shutdown
- Hydraulic temperature protection
- Pressure compensated lowering
- Hyster Tracker Wireless Asset Management system

Other options available through Special Products Engineering Development (SPED). Contact Hyster for details.

STRONG PARTNERS. TOUGH TRUCKS.™

FOR DEMANDING OPERATIONS, EVERYWHERE.

Hyster supplies a complete range of warehouse equipment, IC and electric counterbalanced trucks, container handlers and reach stackers. Hyster is committed to being much more than a lift truck supplier.

Our aim is to offer a complete partnership capable of responding to the full spectrum of material handling issues: Whether you need professional consultancy on your fleet management, fully qualified service support, or reliable parts supply, you can depend on Hyster.

Our network of highly trained dealers provides expert, responsive local support. They can offer cost-effective finance packages and introduce effectively managed maintenance programmes to ensure that you get the best possible value. Our business is dealing with your material handling needs so you can focus on the success of your business today and in the future.



HYSTER EUROPE

Centennial House, Frimley Business Park, Frimley, Surrey, GU16 7SG, England.


Tel: +44 (0) 1276 538500




 www.hyster.eu  infoeurope@hyster.com  [/HysterEurope](https://www.facebook.com/HysterEurope)  [@HysterEurope](https://twitter.com/HysterEurope)  [/HysterEurope](https://www.youtube.com/HysterEurope)  www.hyster-bigtrucks.com

HYSTER-YALE UK LIMITED trading as Hyster Europe. Registered Address: Centennial House, Building 4.5, Frimley Business Park, Frimley, Surrey GU16 7SG, United Kingdom.

Registered in England and Wales. Company Registration Number: 02636775.

HYSTER,  and FORTENS are registered trademarks in the European Union and certain other jurisdictions.

MONOTROL® is a registered trademark, and DURAMATCH and  are trademarks in the United States and in certain other jurisdictions.

Hyster products are subject to change without notice. Lift trucks illustrated may feature optional equipment.