



UX Series

GLP040-070UX / 4,000 - 7,000lb

Internal Combustion Counterbalanced Forklift

GLP040-070UX features.

1 Robust overhead guard

The overhead guard features a thin, profiled design to help minimize blind spots enabling safe and efficient operation.

2 Suspension seat

A full suspension seat with an operator presence system that offers excellence in comfort.

3 Low step driver height

Convenient step placing to suit a variety of operator heights provides easy access to the truck at all times.





4 Wide view mast

The outside width of 28.3" provides the operator with a significant front field of view, minimizing blind spots and increasing operator comfort, thereby enabling safe, productive and efficient operation.

5 Small steering wheel

The ergonomically designed steering wheel size and the adjustable steering column is convenient for the operator as it provides 8 degrees of adjustment. It is also easy to navigate when working in narrow spaces.

6 Durable engine

The standard PSI spark ignited engines provide reliability and ease for sourcing replacement parts.

Engineered for comfort, safety and ergonomics.

The Yale® GLP040-070UX was designed for operations looking for a reliable, cost-effective solution to get the job done—all backed by the trusted Yale name.

The range

The range consists of 4,000-7,000lb IC counterbalance, pneumatic tire forklift trucks, available in four different capacities:

4,000lb – GLP040UX / 5,000lb – GLP050UX
6,000lb – GLP060UX / 7,000lb – GLP070UX

Each model is available with LPG, dual fuel, a single-speed powershift transmission and a range of front end equipment options to suit varying application requirements.

Easy to operate

The ergonomically designed operator compartment, with an automotive-style layout promotes comfort and familiarity.

A range of standard features and options allow the truck to be configured to the needs of the application.

Serviceability

Due to the simplicity of the components and specifications, servicing can be carried out quickly and easily.

Low cost of ownership

The use of high quality, robust components, efficient filtration and excellent cooling helps contribute to reliable operations and minimizes wear and tear. This, together with the fast availability of cost-effective replacement parts helps to reduce service and maintenance requirements and costs.

Comfort

- Yale special display with 3.5" LCD
- Large foot room on floor plate
- Dual suspension drivetrain system
- Hand parking brake lever with button greatly reduces fatigue in operation
- Small diameter steering wheel with adjustable steering column

Safety and stability

- Wide view mast
- High strength overhead guard
- Hand lever park brake
- Low center of gravity
- Operator presence system

Easy maintenance

- Large access area for service and repairs
- Simple components
- Computer-based diagnostics not required

Reliability and exchangeability

- Triplex plate OHG allows easy top canopy replacement
- Exchangeable components across models

Environmental protection

- Noise isolation material
- Meets EPA emissions regulation requirements



Display with 3.5" LCD

The Yale UX Series Forklift adopts a 3.5" LCD display, providing convenient viewing of the display data when driving and operating



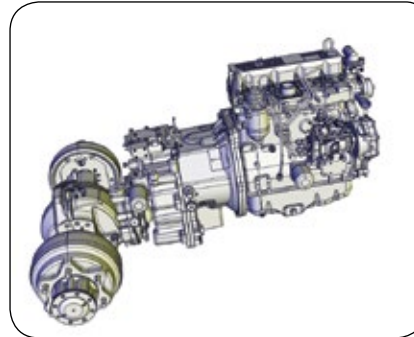
Hand parking brake

- Low effort to operate park brake lever
- Hand parking brake lever with button helps reduce operator fatigue



Large foot room

- Spacious foot room design helps provide comfort and convenience
- Control pedals provide extra foot space which helps reduce operator fatigue and increase comfort



Dual suspension system

- The specialized dual-suspension system decreases vibration and noise
- Full floating safeguard/cabin system
- Engine vibration damper
- Suspended transmission replaces traditional rigid connections



Large access area for service and repairs

- Large access space to engine compartment makes service and repairs more convenient

A wide range of comprehensive features.

Wide view mast

The outside width of 28.3" provides the operator with a significant front field of view, minimizing blind spots and increasing operator comfort, thereby enabling safe, productive and efficient operation.



Small diameter steering wheel with adjustable steer column

- The 11.8" diameter steering wheel is easy to manipulate, responsive and allows optimum mobility when working in a narrow space
- The ideally positioned steering wheel allows 8 degrees of adjustment, to suit a variety of different operators



Robust overhead guard with flexible options

- Thin, profiled steel overhead guard helps minimize blind spots enabling safe and efficient operation
- Various overhead guard heights available

Improved lifting speed

- Competitive lifting speeds

Options

Yale® UX Series trucks feature a comprehensive range of standard equipment, with a number of options available to suit the specific needs of your application, including:

- LPG and dual-fuel configurations
- Pneumatic-shaped solid tires
- Various fork lengths
- Integrated Side-shifting carriage, and Side-shifting fork positioner carriage
- Swing-out drop down LPG bracket
- LED work lights (2 front /1 rear)
- Strobe light
- Backup alarm
- High air intake with pre-cleaner
- Tilt cylinder boots
- Various mast heights
- Glass roof and full steel cab with glass panels
- Front window with wiper



Triplex plate overhead guard

- The overhead guard is developed using three pieces; left side, right side and top canopy making replacement, when appropriate and authorized, more convenient



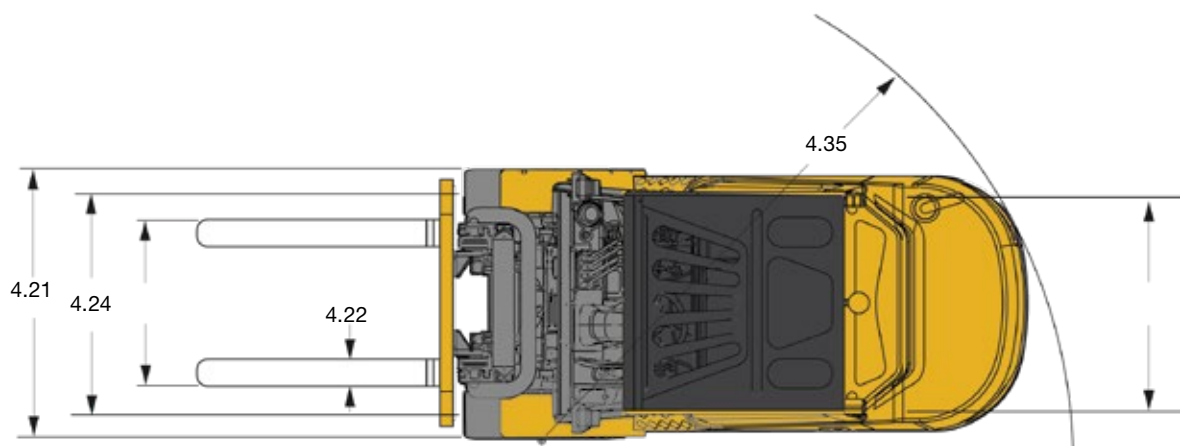
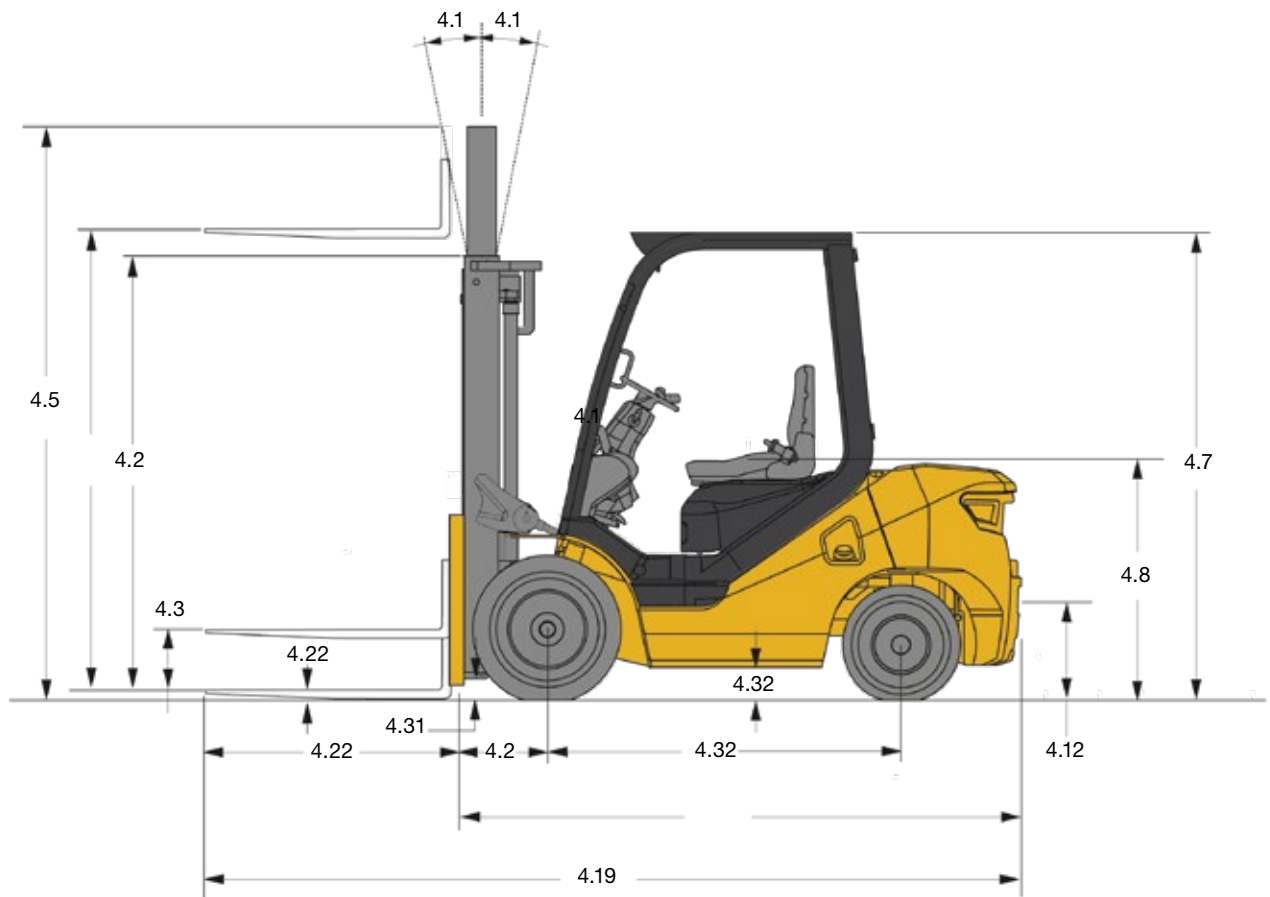
Exchangeable components

- Engine cover, instrument panel, display and most other components are exchangeable with other capacities in the same range
- Front fenders adaptable to single or dual wheel configuration

Suspension seat

- Full suspension seat offers excellent comfort

Truck Dimensions



GLP040UX Rated Capacity LBS. @ 24 in (600mm) Load Center

	Maximum fork height (in)	Mast tilt		Lowered height (in)	Extended height (in) w/o LBR	Extended height (in) w/LBR	Free lift height (in) (1)	Without Sideshift	
		FWD tilt (°)	Back tilt (°)					GLP040UX	
								Pneumatic Tires	Dual Tires
2-STAGE LIMITED FREE LIFT	118	6	6	79	140	157	6	3986	3986
	129	6	6	85	152	168	6	3986	3986
	145	6	6	92	168	184	6	3986	3986
3-STAGE FULL FREE LIFT	177	6	6	81	197	216	56	3196	3594
	188	6	6	85	209	227	60	2497	3394
	216	3	6	95	236	255	70	1797	2796

Note: For integral sideshifts deduct 100lb from stated capacity

GLP050UX Rated Capacity LBS. @ 24 in (600mm) Load Center

	Maximum fork height (in)	Mast tilt		Lowered height (in)	Extended height (in) (1)	Extended height (in) w/LBR	Free lift height (in) (1)	Without Sideshift	
		FWD tilt (°)	Back tilt (°)					GLP050UX	
								Single Tires	Dual Tires
2-STAGE LIMITED FREE LIFT	118	6	6	79	140	157	6	4983	4983
	129	6	6	85	152	168	6	4983	4983
	145	6	6	92	168	184	6	4983	4983
3-STAGE FULL FREE LIFT	177	6	6	81	197	216	56	3995	4593
	188	6	6	85	209	227	60	3394	3995
	216	3	6	95	236	255	70	2395	3196

Note: For integral sideshifts deduct 100lb from stated capacity

GLP060UX Rated Capacity LBS. @ 24 in (600mm) Load Center

	Maximum fork height (in)	Mast tilt		Lowered height (in)	Extended height (in) (1)	Extended height (in) w/LBR	Free lift height (in) (1)	Without Sideshift	
		FWD tilt (°)	Back tilt (°)					GLP060UX	
								Single Tires	Dual Tires
2-STAGE LIMITED FREE LIFT	118	6	6	81	143	161	6	6000	6000
	129	6	6	87	155	173	6	6000	6000
	145	6	6	95	170	188	6	6000	6000
3-STAGE FULL FREE LIFT	177	6	6	83	200	220	60	5002	5403
	188	6	6	87	212	232	63	4501	4901
	216	3	6	98	240	259	74	3302	4202

Note: For integral sideshifts deduct 100lb. from stated capacity

GLP070UX Rated Capacity LBS. @ 24 in (600mm) Load Center

	Maximum fork height (in)	Mast tilt		Lowered height (in)	Extended height (in) (1)	Extended height (in) w/LBR	Free lift height (in) (1)	Without Sideshift	
		FWD tilt (°)	Back tilt (°)					GLP070UX	
								Single Tires	Dual Tires
2-STAGE LIMITED FREE LIFT	118	6	6	84	145	161	6	7000	7000
	129	6	6	90	157	173	6	7000	7000
	145	6	6	98	173	188	6	7000	7000
3-STAGE FULL FREE LIFT	177	6	6	86	202	220	60	5610	6010
	188	6	6	90	214	232	63	5009	5508
	216	3	6	100	241	259	74	3605	4609

Note: For integral sideshifts deduct 100lb from stated capacity

General Specifications GLP040-070UX

	1.1	Manufacturer		YALE	YALE	YALE	YALE
General	1.2	Manufacturer's type designation		GLP040UX	GLP050UX	GLP060UX	GLP070UX
		Engine / transmission		PSI 2.4L	PSI 2.4L	PSI 2.4L	PSI 2.4L
	1.3	Drive: LPG, Dual Fuel		LPG / Dual Fuel	LPG / Dual Fuel	LPG / Dual Fuel	LPG / Dual Fuel
	1.4	Operator type: hand, pedestrian, standing, seated, order-picker		Seated	Seated	Seated	Seated
	1.5	Rated capacity / RL	(lb)	4000	5000	6000	7000
	1.6	Load center distance	(in)	24	24	24	24
	1.8	Load distance, center of drive axle to fork	(in)	18.7	18.7	19.3	20.1
	1.9	Wheelbase	(in)	63	63	66.9	66.9
	Weights	2.1	Service weight	lb	7458	8030	9460
2.2		Axle loading, RL / rear	lb	10472 / 1386	11880 / 1430	14278 / 1782	15950 / 2112
2.3		Axle loading, NL / rear	lb	3388 / 4070	3300 / 4730	3762 / 5698	3718 / 6644
Tires/Chassis	3.1	Tire type		Pneumatic	Pneumatic	Pneumatic	Pneumatic
	3.2	Tire size, front		7.00-12-12	7.00-12-12	28x9-15-14PR	28x9-15-14PR
	3.3	Tire size, rear		6.00-9-10	6.00-9-10	6.500-10N-14PR	6.500-10-10PR
	3.5	Wheels, number front/rear (X = driven wheels)		2X/2	2X/2	2X/2	2X/2
	3.6	Tread, front	(in)	38.2	38.2	39.4	39.4
	3.7	Tread, rear	(in)	38.6	38.6	38.2	38.2
	Dimensions	4.1	Tilt of mast / fork carriage forward / backward	(°)	6/6	6/6	6/6
4.2		Height, mast lowered	(in)	79.1	79.1	81.7	84.6
4.3		Free lift	(in)	6.3	6.3	6.5	6.5
4.4		Lift	(in)	118.1	118.1	118.1	118.1
4.5		Height of mast, extended wo / LBR	(in)	140.7	140.7	143.3	145.7
4.5		Height of mast, extended w / LBR	(in)	158.5	158.5	163	163
4.7		Height of overhead guard	(in)	85.8	85.8	86.8	86.8
4.8		Seat height / stand height	(in)	45.9	45.9	46.9	46.9
4.12		Coupling height	(in)	9.8	9.8	18.9	18.9
4.19		Overall length	(in)	142.9	145.3	149.8	153.3
4.20		Length to face of forks	(in)	100.8	103.1	107.6	111.2
4.21		Overall width (standard / dual)	(in)	45.3 / 62.5	45.3 / 62.5	47.6 / 64.9	47.6 / 64.9
4.22		Fork dimensions	(in)	1.6 x 4.8 x 42.1	1.6 x 4.8 x 42.1	1.8 x 4.8 x 42.1	1.8 x 4.8 x 42.1
4.23		Fork carriage to DIN 15173. Class, A/B		A	A	A	A
4.24		Fork carriage width	(in)	40.9	40.9	43.3	43.3
4.31		Ground clearance, RL, below mast	(in)	4.9	4.9	5.1	5.1
4.32		Ground clearance, center of wheelbase	(in)	5.9	5.9	5.7	5.7
4.34.1		Aisle width with pallets 1000 long x 1200 wide	(in)	156.1	158.5	162.4	165.7
4.34.2		Aisle width with pallets 800 wide x 1200 long	(in)	148.3	150.6	154.6	157.9
4.35		Turning radius	(in)	90.2	92.5	95.7	98.4
4.36		Internal turning radius	(in)	5.4	5.4	8	8
4.42		Step height (from ground to running board)	(in)	16.9	16.9	17.9	17.9
Performance Data	5.1	Travel speed, RL / NL	mph	11.2 / 11.1	11.2 / 11.1	11.2 / 11.8	11.2 / 11.8
	5.2	Lift speed, RL / NL	ft/min	97 / 103	97 / 103	79 / 85	65 / 71
	5.3	Lowering speed, RL / NL	ft/min	85 / 79	85 / 79	79 / 75	79 / 75
	5.5	Drawbar pull, RL / NL @ 1.6 km/h	lbf.	2896 / 2896	2878 / 2878	3310 / 3310	2863 / 2176
	5.5	Drawbar pull, RL / NL @ 4.8 km/h	lbf.	2172 / 2159	2243 / 2243	2586 / 2586	1553 / 2000
	5.6	Max. drawbar pull, RL / NL	lbf.	3502 / 3502	3502 / 3502	3930 / 3930	3750 / 2219
	5.7	Gradeability, RL / NL @ 4.8 km/h	%	23/23	20/20	19/19	18.7/22.3
	5.8	Max. gradeability, RL / NL @ 1.6 km/h	%	17/23	14/20	13/19	10/19.5
5.10	Service brake		Hydraulic	Hydraulic	Hydraulic	Hydraulic	
Engine	7.1	Engine manufacturer/type		PSI 2.4L	PSI 2.4L	PSI 2.4L	PSI 2.4L
	7.2	Engine power according to ISO 1585	hp	63	63	63	63
	7.3	Rated speed	min-1	2250	2250	2300	2300
	7.4	Number of cylinders/displacements	(-)/cc	4 / 2351	4 / 2351	4 / 2351	4 / 2351
Additional Data	8.1	Type of drive unit		Automatic	Automatic	Automatic	Automatic
	10.1	Operating pressure for attachments	PSI	2539	2539	2539	2539
	10.2	Oil volume for attachments	GPM	8	8	8	8
	10.7	Average noise level at operator's ear (no cab)	dB(A)	84	84	84	84
	10.7.1	Guaranteed sound power 2001/14/EC	dB(A)	103	103	103	103
	10.8	Towing coupling, type DIN		PIN	PIN	PIN	PIN

RL = Rated Load, NL = No Load

Experience more. Experience Yale.

With Yale, you know you're getting more than just a truck. You're getting the complete Yale experience. It's the promise we make that goes beyond our products, and it's our commitment to support you with **the best service in the industry.**



Dealer Network

Yale customers have direct access to the best forklift products and services through our extensive, independent dealer network, worldwide.



Replacement Parts

Your authorized Yale® lift truck dealer offers genuine Yale® parts and quality parts for other makes (PREMIER™ Parts) as well as service programs—all designed to keep your trucks running efficiently and cost-effectively.



Financial Services

Yale Financial Services specializes in financing your lift truck needs. Our programs make it easy to acquire the use of a lift truck or an entire fleet.



Fleet Management

Even if you operate other brands, we can manage your maintenance and replacement plans. We can offer complete fleet analysis, fleet history summary and a cost-effective proposal for replacement and scheduled maintenance.



Innovations

One size doesn't always fit all. Yale has engineered a variety of truck modifications to meet the ever-changing needs of its customers and their changing applications. In addition to standard and optional truck features, Yale offers an impressive list of special truck enhancements designed to increase your productivity.

For more information, or to find your nearest Yale® dealer, go to Yale.com.



YALE MATERIALS HANDLING CORPORATION

P.O. Box 7367, Greenville, NC 27835-7367

www.yale.com

YALE,  and PEOPLE. PRODUCTS. PRODUCTIVITY. are trademarks, service marks or registered marks in the United States and certain other jurisdictions. © Yale Materials Handling Corporation 2020. All Rights Reserved.

Truck performance may be affected by the condition of the vehicle, how it is equipped and the application. Consult your Yale® Industrial Truck Dealer if any of the information shown is critical to your application. Specifications are subject to change without notice.

Manufactured in our own ISO 9001 and 14001 Registered Facilities

2216B 12/2020 Trucks may be shown with optional equipment.