

Specification sheet

FTS CF85

double mounted trailing axle



090G8529AAAA - 201949c - 29-08-2019

ENGINES
CF85 360
CF85 360
CF85 410
CF85 410
CF85 460
CF85 460

GVM ¹⁾	GCM ²⁾
26000 kg	44000 kg
Max. front 7500 kg	
Max. rear 19000 kg	

Macedonia, D-M TRANS doo, www.daf.com

CAB EXTERIOR

Mechanically suspended Sleeper Cab with steel bumper, tinted glass and electric window openers. Main mirrors and wide angle mirrors electrically heated. Cab width 2300 mm.; Electrically adjustable mirrors; Front view mirror.

Optional

01899 Day Cab	06166 Combi lights in bumper
01137 Space Cab	07313 Combi lights led in bumper
01226 Cab suspension air	06592 Four spot lights on the cab roof
08071 Xenon head lights with washer	06593 Skylights
00396 Permanent driving lights	06591 Two spot lights on the cab roof

AERODYNAMICS

Optional

04906 Side collars

COLOURS

Cab colour H3279 Brilliant White; Head lamp panel, bumper and step cover: Br White; Chassis colour grey..

Optional

09931 Head lamp panel, bumper and step cover: cab colour	04198 Mirror covers in cab colour
09930 Head lamp panel, bumper and step cover: grey	16153 Cab and chassis colours

CAB INTERIOR

Driver seat: Comfort Air; Co-driver seat: basic; Storage box on engine tunnel; Lower bunk, normal level; No air conditioning; Roof hatch aluminium, manual control.

Optional

09271 Steering wheel, leather, colour black	31365 Without feature: Upper bunk
06111 Dashboard: wood structure	04186 Upper bunk
02117 Third seat	06599 Auxiliary cab heater (air)
06539 Refrigerator	06516 Auxiliary cab heater (water)

COMMUNICATION AND DRIVING MANAGEMENT

FMS connector prepared; Tachograph digital, VDO; Speed limiter setting 85 km/h absolute; Antennas: AM/FM, 2x GSM, GPS; Cruise control.

Optional

09681 Preparation for Maut	09721 Handsfree telephone kit
16155 Audio equipment, makes and types	09909 Adaptive Cruise Control (ACC) with FCW

SAFETY AND SECURITY

No vehicle stability control; Basic engine immobiliser system.

Optional

08631 Air bag (driver) and 2 seat belt tensioners	01725 Reverse warning
09992 Lane Departure Warning System	

SUSPENSION AND AXLES

Front: 7.50 t, parabolic, 152N; Rear: 12.00 + 7.80 t, air suspension, SR1347; Lifting device; Load limiter 11.5 t; Axle load ratio 11.5/7.5.

Optional

04057 Rear axle HR1356	08191 Axle load monitoring
-------------------------------	-----------------------------------

WHEELS AND TYRES

Front axle 1: 295/80R22.5; Rear axle 1: 295/80R22.5; No spare tyre; Disc wheels steel, silvergrey; Wheel protection rings silvergrey.

Optional

16152 Tyre makes and types

DRIVELINE

MX265, 265 kW/360 hp, 38C. Cab badge: 360; Exhaust emission Euro 5; Engine idle shutdown, 5 minutes; Manual gearbox, 16 speeds; Gearbox ratio 16.41-1.00; Rear axle ratio 2.80; Mechanical differential lock; ASR; Traction aid 13.0 t.

Optional

03020 Exhaust emission Euro 5/EEV	02314 Gearbox overdrive
04500 AS Tronic gearbox, 12 speeds	

BRAKE SYSTEM

Exhaust brake; ABS.

Optional

09921 MX Engine Brake	02715 ZF Intarder
------------------------------	--------------------------

CHASSIS

Wheelbase 3.10 m / rear overhang 0.99 m; Side member height 260 mm; Aluminium fuel tank 430 l, height 620 mm; Worklamp white; Spray suppression; Front underrun protection (FUP); Catwalk with step; AdBlue tank 50 litres; No spare wheel carrier.

Optional

02601 Side member height 310 mm	16157 Fuel tanks, material and sizes
--	---

DRAWBAR AND TRAILER EQUIPMENT

No fifth wheel; Pneumatic trailer connection palm type; Electric connection 24 V / 2x7 pins.

Optional

03178 Towing hook D= 4.3

POWER TAKE-OFF (PTO)

Optional

16148 PTO types and positions

ELECTRICAL POWER SUPPLY

Alternator 80 A, batteries 2x 175 Ah..

Optional

04873 Alternator 110 A	06440 Batteries 2x230Ah
-------------------------------	--------------------------------

GVM AND GCM

Chassis weight related technical GVM max 27000 kg; Driveline related max GCM 44000 kg class 2.

Optional

03675 Driveline related max GCM 50000 kg class 3	00818 Driveline related max GCM 60000 kg class 3
00939 Driveline related max GCM 56000 kg class 2	

APPLICATION CONDITIONS

Moisture separator, unheated; Air intake on the cab roof.

Optional

02270 Cold climate

09961 Cyclonic air intake behind the cab

SERVICE AND MAINTENANCE

Standard Warranty takes care of 1 year complete vehicle, 2nd year driveline and 1st year breakdown.; ITS service.

Optional

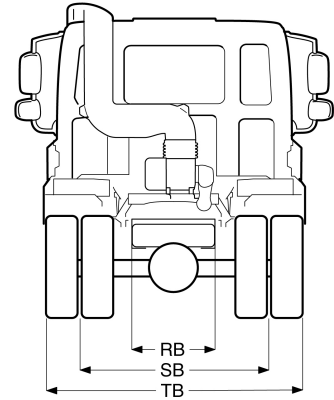
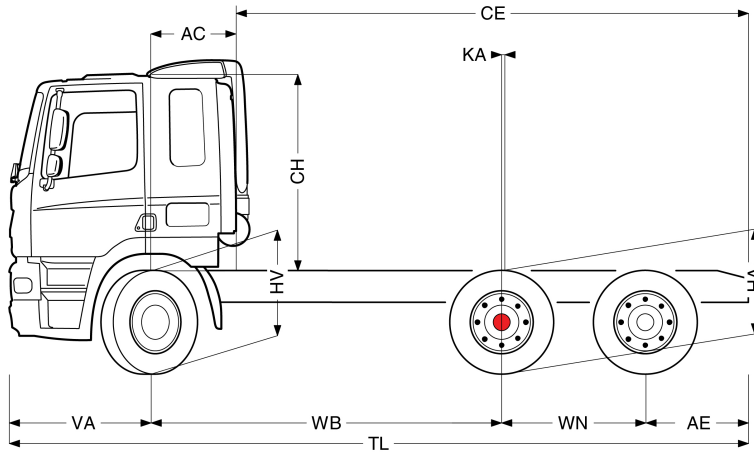
08311 Service interval extended



Go to [DAF.com](https://www.daf.com) to configure your own perfect DAF.

FTS CF85

double mounted trailing axle



	Wheelbase - AE		Unladen weight ⁹⁾			Gross Carrying Capacity			Variable dimensions								
	WB	AE ⁵⁾	Front	Rear	Total	Front	Rear	Total	AC	CE	CH ⁶⁾	KA ⁷⁾	TL	HA ⁸⁾	HA ⁹⁾	TK ¹⁰⁾	TW ¹¹⁾
SPACE CAB	3.10	0.99	4743	3490	8233	2757	15510	17767	0.82	4.67	2.63	0.00	6.87	0.99	0.96	13.04	14.40
	3.40	0.99	4775	3553	8328	2725	15447	17672	0.82	4.97	2.58	0.00	7.17	1.04	1.01	13.82	15.19
DAY CAB	3.10	0.99	4549	3489	8038	2951	15511	17962	0.39	5.10	1.96	0.00	6.87	0.99	0.96	13.04	14.40
	3.40	0.99	4584	3554	8138	2916	15446	17862	0.39	5.40	1.91	0.00	7.17	1.04	1.01	13.82	15.19
SLEEPER CAB	3.10	0.99	4644	3490	8134	2856	15510	17866	0.82	4.67	1.96	0.00	6.87	0.99	0.96	13.04	14.40
	3.40	0.99	4675	3554	8229	2825	15446	17771	0.82	4.97	1.91	0.00	7.17	1.04	1.01	13.82	15.19

OTHER DIMENSIONS	VA: 1.38	WN: 1.40	HV ¹²⁾ : 0.98	HV ¹³⁾ : 0.93	RB: 0.79	SB: 1.82	TB: 2.45
------------------	----------	----------	--------------------------	--------------------------	----------	----------	----------

- 1) GVM in conformity with registration documents.
- 2) GCM in conformity with registration documents.
- 3) Axle load with standard tyre size.
- 4) Chassis and cab weight calculated with: Standard specification items only with 430 litres of fuel, 50 litres of AdBlue and driver of 80 kg., tolerance $\pm 3\%$. Changing of the specification can have major impact on vehicle weight.
- 5) Other AE dimensions may be available for shown WB.
- 6) Cab height is measured from frame member to closed cabin roof hatch. With air intake on cab roof: +0.14 m.

- 7) Calculate customer specific KA with TOPEC.
- 8) Unladen height at centre of driven axle(s).
- 9) Laden height at centre of driven axle(s).
- 10) TK = turning circle between kerbs.
- 11) TW = turning circle between walls.
- 12) Unladen height at centre of front axle(s).
- 13) Laden height at centre of front axle(s).

Depending on the vehicle configuration a specific option may not be possible. The availability and specification of this vehicle may differ per country. For further information please contact the DAF organisation. Pictures and technical illustrations are not binding in detail and can differ from the standard specification. Subject to modification without prior notice.