

# Specification sheet

## FTM XF105 Space Cab



### ENGINES

XF105 410  
XF105 410  
XF105 460  
XF105 460  
XF105 510

### GVM<sup>1)</sup>

28400 kg  
  
Max. front 7500 kg  
Max. rear 20900 kg

### GCM<sup>2)</sup>

44000 kg

## CAB EXTERIOR

Mechanically suspended Space Cab with steel bumper, tinted glass and electric window openers. Main mirrors and wide angle mirrors electrically heated. Cab width 2490 mm.; No front view mirror; Electric door lock co-driver, 2 keys.

### Optional

- |                                       |   |
|---------------------------------------|---|
| <b>03710</b> Comfort Cab              | <b>00396</b> Permanent driving lights         |
| <b>01226</b> Cab suspension air       | <b>06592</b> Four spot lights on the cab roof |
| <b>06790</b> Aluminium ladder 1-piece | <b>06591</b> Two spot lights on the cab roof  |
| <b>06791</b> Aluminium ladder 2-piece |   |

## AERODYNAMICS

### Optional

- 07401** Winding handle for roof air deflector

## COLOURS

Cab colour H3279 Brilliant White; Head lamp panel, bumper and step cover: Br White; Chassis colour grey..

### Optional

- 09931** Head lamp panel, bumper and step cover: cab colour
- 16153** Cab and chassis colours and step cover: cab colour

## CAB INTERIOR

Driver seat: Comfort Air; Co-driver seat: basic; Lower bunk without drawer; Air conditioning; Auxiliary cab heater (air).

### Optional

- |  |   |
|--|---|
| <b>08340</b> Dashboard: aluminium look | <b>09603</b> Lower bunk with drawer 65 litres |
| <b>06111</b> Dashboard: wood structure | <b>06516</b> Auxiliary cab heater (water)     |
| <b>06539</b> Refrigerator              | <b>02207</b> No auxiliary cab heater          |

## COMMUNICATION AND DRIVING MANAGEMENT

No Fleet Management System; Tachograph mechanical; Speed limiter setting 85 km/h nominal; Antennas: AM/FM, 2x GSM, GPS; Cruise control.

### Optional

- |   |   |
|---|---|
| <b>16155</b> Audio equipment, makes and types | <b>09909</b> Adaptive Cruise Control (ACC) with FCW |
|---|---|

## SAFETY AND SECURITY

No vehicle stability control; Basic engine immobiliser system.

### Optional

- |  |                                  |
|--|----------------------------------|
| <b>09992</b> Lane Departure Warning System   | <b>09828</b> Front camera system |
| <b>09491</b> Vehicle Stability Control (VSC) | <b>09827</b> Side camera system  |

## SUSPENSION AND AXLES

Front: 7.5+8.0 t, parabolic+air, 152N; Rear: 2x 10.50 t, air suspension, HR1670T.

### Optional

- |   |                                     |
|---|-------------------------------------|
| <b>03467</b> Front axles load 9.00 + 8.00 t | <b>01601</b> Rear springs trapezium |
| <b>04563</b> Rear axle load 13.00+13.00 t   |                                     |

## WHEELS AND TYRES

Front axle 1: 315/80R22.5; Rear axle 1: 315/80R22.5; No spare tyre; Disc wheels steel, silvergrey; Wheel protection rings silvergrey.

### Optional

- 16152** Tyre makes and types

## DRIVELINE

MX300, 300 kW/408 hp, 45C HD. Cab badge: 410; Exhaust emission Euro 3; No engine idle shutdown; Manual gearbox, 16 speeds; Gearbox ratio 13.80-0.84; Rear axle ratio 3.76; Mechanical differential lock; ASR.

### Optional

- |   |   |
|---|---|
| <b>04001</b> Exhaust emission Euro 5      | <b>04503</b> AS Tronic gearbox, 16 speeds |
| <b>04500</b> AS Tronic gearbox, 12 speeds |   |

## BRAKE SYSTEM

Exhaust brake; Park brake control with test position; ABS.

### Optional

- |                              |                          |
|------------------------------|--------------------------|
| <b>09921</b> MX Engine Brake | <b>02715</b> ZF Intarder |
|------------------------------|--------------------------|

## CHASSIS

Wheelbase 4.80 m / rear overhang 1.65 m; Side member height 310 mm; Steel fuel tank 390 l, height 580 mm; No rear mudguards; Worklamp white; Spray suppression; Front underrun protection (FUP); Catwalk with step; No spare wheel carrier.

### Optional

- 16157** Fuel tanks, material and sizes

## DRAWBAR AND TRAILER EQUIPMENT

No fifth wheel; Pneumatic trailer connection palm type; Electric connection 24 V / 2x7 pins.

## ELECTRICAL POWER SUPPLY

Alternator 80 A, batteries 2x 230 Ah..

### Optional

- 04873** Alternator 110 A

## GVM AND GCM

Chassis weight related technical GVM max 34000 kg; Driveline related max GCM 58000 kg class 2.

## APPLICATION CONDITIONS

Moisture separator, heated; Cyclonic air intake high.

### Optional

- 02270** Cold climate

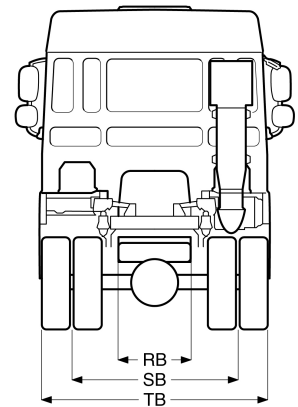
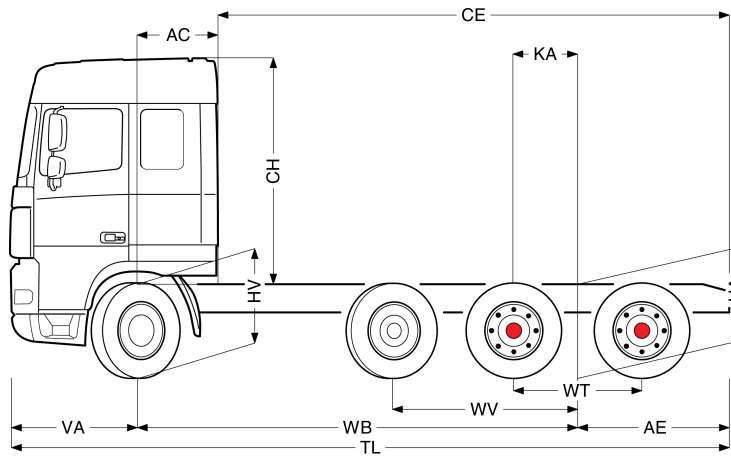
## SEF

Stanc  
drive



Go to [DAF.com](http://DAF.com) to configure your own perfect DAF.

# FTM XF105 Space Cab



	Wheelbase - AE		Unladen weight <sup>9)</sup>			Gross Carrying Capacity			Variable dimensions								
	WB	AE <sup>5)</sup>	Front	Rear	Total	Front	Rear	Total	AC	CE	CH <sup>6)</sup>	KA <sup>7)</sup>	TL	HA <sup>8)</sup>	HA <sup>9)</sup>	TK <sup>10)</sup>	TW <sup>11)</sup>
COMFORT CAB	4.80	1.65	5716	5046	10762	1784	15854	17638	0.88	5.57	2.17	0.00	7.82	1.15	1.12	17.59	18.95
SPACE CAB	4.80	1.65	5766	5046	10812	1734	15854	17588	0.88	5.57	2.47	0.00	7.82	1.15	1.12	17.59	18.95

OTHER DIMENSIONS	VA: 1.37	WB: 2.02	WT: 1.40	HV <sup>12)</sup> : 1.01	HV <sup>13)</sup> : 0.97	RB: 0.79	SB: 1.82	TB: 2.48
------------------	----------	----------	----------	--------------------------	--------------------------	----------	----------	----------

1) GVM in conformity with registration documents.  
 2) GCM in conformity with registration documents.  
 3) Axle load with standard tyre size.  
 4) Chassis and cab weight calculated with: Standard specification items only with 390 litres of fuel, 0 litres of AdBlue and driver of 80 kg, tolerance ± 3%. Changing of the specification can have major impact on vehicle weight.  
 5) Other AE dimensions may be available for shown WB.  
 6) Cab height is measured from frame member to closed cabin roof hatch.

7) Calculate customer specific KA with TOPEC.  
 8) Unladen height at centre of driven axle(s).  
 9) Laden height at centre of driven axle(s).  
 10) TK = turning circle between kerbs.  
 11) TW = turning circle between walls.  
 12) Unladen height at centre of front axle(s).  
 13) Laden height at centre of front axle(s).

Depending on the vehicle configuration a specific option may not be possible. The availability and specification of this vehicle may differ per country. For further information please contact the DAF organisation. Pictures and technical illustrations are not binding in detail and can differ from the standard specification. Subject to modification without prior notice.