

Specification sheet

FT XF105 Space Cab



ENGINES

XF105 410
XF105 410
XF105 460
XF105 460
XF105 510

GVM¹⁾

17500 kg

Max. front 7500 kg
Max. rear 10000 kg

GCM²⁾

44000 kg

072G0509ACAA - 201949c - 29-08-2019

Kazakhstan, Bosfor Motors LLP, www.bosformotors.kz

CAB EXTERIOR

Mechanically suspended Space Cab with steel bumper, tinted glass and electric window openers. Main mirrors and wide angle mirrors electrically heated. Cab width 2490 mm.; Front view mirror; Electric door lock co-driver, 2 keys.

Optional

- | | |
|---------------------------------------|---|
| 03710 Comfort Cab | 00396 Permanent driving lights |
| 01226 Cab suspension air | 06592 Four spot lights on the cab roof |
| 06790 Aluminium ladder 1-piece | |
| 06791 Aluminium ladder 2-piece | 06591 Two spot lights on the cab roof |

AERODYNAMICS

Optional

- | | |
|--|--------------------------|
| 07401 Winding handle for roof air deflector | 04146 Side skirts |
|--|--------------------------|

COLOURS

Cab colour H3279 Brilliant White; Head lamp panel, bumper and step cover: Br White; Chassis colour grey..

Optional

- | | |
|---|---|
| 09931 Head lamp panel, bumper and step cover: cab colour | 16153 Cab and chassis colours and step cover: cab colour |
|---|---|

CAB INTERIOR

Driver seat: Comfort Air; Co-driver seat: basic; Lower bunk without drawer; Air conditioning; Auxiliary cab heater (air).

Optional

- | | |
|--|---|
| 08340 Dashboard: aluminium look | 09603 Lower bunk with drawer 65 litres |
| 06111 Dashboard: wood structure | 06516 Auxiliary cab heater (water) |
| 06539 Refrigerator | 02207 No auxiliary cab heater |

COMMUNICATION AND DRIVING MANAGEMENT

No Fleet Management System; Tachograph mechanical; Speed limiter setting 85 km/h nominal; Antennas: AM/FM, 2x GSM, GPS; Cruise control.

Optional

- | | |
|---|---|
| 16155 Audio equipment, makes and types | 09909 Adaptive Cruise Control (ACC) with FCW |
|---|---|

SAFETY AND SECURITY

No vehicle stability control; Basic engine immobiliser system.

Optional

- | | | |
|--|----------------------------------|---------------------------------|
| 09992 Lane Departure Warning System | 09828 Front camera system | 09827 Side camera system |
| 09491 Vehicle Stability Control (VSC) | | |

SUSPENSION AND AXLES

Front: 7.50 t, parabolic, 152N; Rear: 13.00 t, air suspension, SR1347.

Optional

- | | |
|-------------------------------------|-------------------------------|
| 06257 Front axle load 9.00 t | 04057 Rear axle HR1356 |
|-------------------------------------|-------------------------------|

WHEELS AND TYRES

Front axle 1: 315/80R22.5; Rear axle 1: 315/80R22.5; Spare: 315/80R22.5; Disc wheels steel, silvergrey; Wheel protection rings silvergrey.

Optional

- | |
|-----------------------------------|
| 16152 Tyre makes and types |
|-----------------------------------|

DRIVELINE

MX300, 300 kW/408 hp, 45C HD. Cab badge: 410; Exhaust emission Euro 3; No engine idle shutdown; Manual gearbox, 16 speeds; Gearbox ratio 13.80-0.84; Rear axle ratio 3.31; Mechanical differential lock; ASR.

Optional

- | | |
|---|---|
| 04001 Exhaust emission Euro 5 | 04503 AS Tronic gearbox, 16 speeds |
| 04500 AS Tronic gearbox, 12 speeds | 02313 Gearbox direct drive |

BRAKE SYSTEM

Exhaust brake; Park brake control with test position; ABS.

Optional

- | | |
|------------------------------|--------------------------|
| 09921 MX Engine Brake | 02715 ZF Intarder |
|------------------------------|--------------------------|

CHASSIS

Wheelbase 3.80 m / rear overhang 0.99 m; Side member height 260 mm; Steel fuel tank 560 l, height 580 mm; Rear mudguards; Worklamp white; Spray suppression; Front underrun protection (FUP); Catwalk with step; No AdBlue tank; Spare wheel carrier side.

Optional

- | | |
|---|-------------------------------------|
| 08641 Air tanks aluminium | 09632 AdBlue tank 75 litres |
| 16157 Fuel tanks, material and sizes | 00821 AdBlue tank 100 litres |
| 09631 AdBlue tank 50 litres | |

DRAWBAR AND TRAILER EQUIPMENT

Jost JSK37C cast iron 150+40mm, D152-20t; Pneumatic trailer connection palm type; Electric connection 24 V / 2x7 pins.

ELECTRICAL POWER SUPPLY

Alternator 80 A, batteries 2x 230 Ah..

Optional

- | | |
|-------------------------------|---|
| 04873 Alternator 110 A | 02831 Dual batteries on chassis side |
|-------------------------------|---|

GVM AND GCM

Chassis weight related technical GVM max 20500 kg; Driveline related max GCM 44000 kg class 2.

APPLICATION CONDITIONS

Moisture separator, heated; Cyclonic air intake high.

Optic

0227

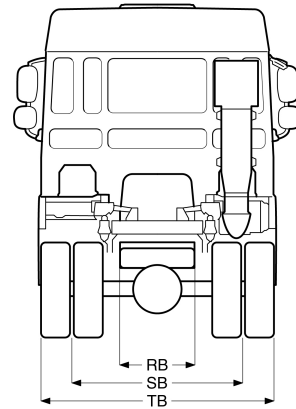
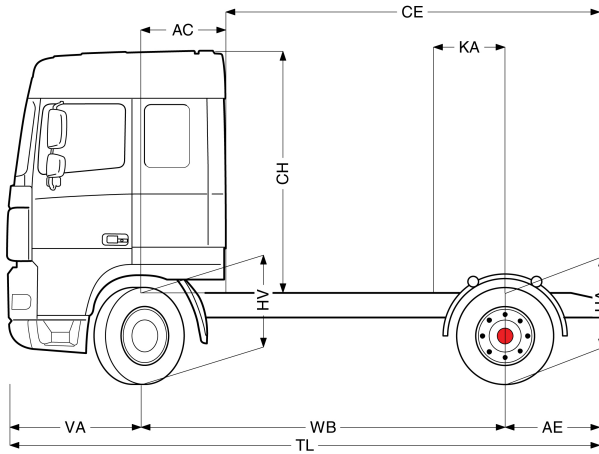
SEF

Stanc
drivel



Go to DAF.com to configure your own perfect DAF.

FT XF105 Space Cab



	Wheelbase - AE		Unladen weight ¹⁾			Gross Carrying Capacity			Variable dimensions								
	WB	AE ⁵⁾	Front	Rear	Total	Front	Rear	Total	AC	CE	CH ⁶⁾	KA ⁷⁾	TL	HA ⁸⁾	HA ⁹⁾	TK ¹⁰⁾	TW ¹¹⁾
COMFORT CAB	3.60	0.99	5108	2516	7624	2392	7484	9876	0.88	3.71	2.22	0.47	5.96	1.00	0.98	12.91	14.34
	3.80	0.99	5124	2522	7646	2376	7478	9854	0.88	3.91	2.22	0.67	6.16	1.00	0.98	13.43	14.86
SPACE CAB	3.60	0.99	5161	2516	7677	2339	7484	9823	0.88	3.71	2.52	0.47	5.96	1.00	0.98	12.91	14.34
	3.80	0.99	5177	2521	7698	2323	7479	9802	0.88	3.91	2.52	0.67	6.16	1.00	0.98	13.43	14.86

OTHER DIMENSIONS	VA: 1.37	HV ¹²⁾ : 0.98	HV ¹³⁾ : 0.92	RB: 0.79	SB: 1.82	TB: 2.48
------------------	----------	--------------------------	--------------------------	----------	----------	----------

- 1) GVM in conformity with registration documents.
- 2) GCM in conformity with registration documents.
- 3) Axle load with standard tyre size.
- 4) Chassis and cab weight calculated with: Standard specification items only with 560 litres of fuel, 0 litres of AdBlue and driver of 80 kg, tolerance $\pm 3\%$. Changing of the specification can have major impact on vehicle weight.
- 5) Other AE dimensions may be available for shown WB.
- 6) Cab height is measured from frame member to closed cabin roof hatch.

- 7) Calculate customer specific KA with TOPEC.
- 8) Unladen height at centre of driven axle(s).
- 9) Laden height at centre of driven axle(s).
- 10) TK = turning circle between kerbs.
- 11) TW = turning circle between walls.
- 12) Unladen height at centre of front axle(s).
- 13) Laden height at centre of front axle(s).

Depending on the vehicle configuration a specific option may not be possible. The availability and specification of this vehicle may differ per country. For further information please contact the DAF organisation. Pictures and technical illustrations are not binding in detail and can differ from the standard specification. Subject to modification without prior notice.