

Specification sheet

FT CF85



07268509AEEA - 201949c - 29-08-2019

ENGINES
CF85 360
CF85 360
CF85 410
CF85 410
CF85 460

GVM ¹⁾	GCM ²⁾
17500 kg	44000 kg
Max. front 7500 kg	
Max. rear 10000 kg	

Ukraine, Truck Centre Ltd, www.daf.com

CAB EXTERIOR

Mechanically suspended Sleeper Cab with steel bumper, tinted glass and electric window openers. Main mirrors and wide angle mirrors electrically heated. Cab width 2300 mm.; Manually adjustable main mirrors; Front view mirror.

Optional

01899 Day Cab	06166 Combi lights in bumper
01137 Space Cab	07313 Combi lights led in bumper
01226 Cab suspension air	06592 Four spot lights on the cab roof
08071 Xenon head lights with washer	06593 Skylights
00396 Permanent driving lights	06591 Two spot lights on the cab roof

AERODYNAMICS

Optional

04906 Side collars	04146 Side skirts
---------------------------	--------------------------

COLOURS

Cab colour H3279 Brilliant White; Head lamp panel, bumper and step cover: Br White; Chassis colour grey..

Optional

09931 Head lamp panel, bumper and step cover: cab colour	04198 Mirror covers in cab colour
09930 Head lamp panel, bumper and step cover: grey	16153 Cab and chassis colours

CAB INTERIOR

Driver seat: Comfort Air; Co-driver seat: basic; Storage box on engine tunnel; Lower bunk, normal level; No air conditioning; No auxiliary cab heater; Roof hatch aluminium, manual control.

Optional

09271 Steering wheel, leather, colour black	31365 Without feature: Upper bunk
06111 Dashboard: wood structure	04186 Upper bunk
02117 Third seat	06599 Auxiliary cab heater (air)
06539 Refrigerator	06516 Auxiliary cab heater (water)

COMMUNICATION AND DRIVING MANAGEMENT

No Fleet Management System; Tachograph mechanical; Speed limiter setting 85 km/h nominal; Antennas: AM/FM, 2x GSM, GPS; Cruise control.

Optional

09681 Preparation for Maut	09721 Handsfree telephone kit
16155 Audio equipment, makes and types	09909 Adaptive Cruise Control (ACC) with FCW

SAFETY AND SECURITY

No vehicle stability control; Basic engine immobiliser system.

Optional

08631 Air bag (driver) and 2 seat belt tensioners	01723 No reverse warning
09992 Lane Departure Warning System	

SUSPENSION AND AXLES

Front: 7.50 t, parabolic, 152N; Rear: 13.00 t, air suspension, SR1347.

Optional

06257 Front axle load 9.00 t	01603 Rear springs parabolic
04057 Rear axle HR1356	

WHEELS AND TYRES

Front axle 1: 315/80R22.5; Rear axle 1: 315/80R22.5; Spare: 315/80R22.5; Disc wheels steel, silvergrey; Wheel protection rings silvergrey.

Optional

16152 Tyre makes and types

DRIVELINE

MX265, 265 kW/360 hp, 45C HD. Cab badge: 360; Exhaust emission Euro 3; No engine idle shutdown; Manual gearbox, 16 speeds; Gearbox ratio 13.80-0.84; Rear axle ratio 3.31; Mechanical differential lock; ASR.

Optional

04001 Exhaust emission Euro 5	02313 Gearbox direct drive
04500 AS Tronic gearbox, 12 speeds	

BRAKE SYSTEM

Exhaust brake; Park brake control with test position; ABS.

Optional

09921 MX Engine Brake	02715 ZF Intarder
------------------------------	--------------------------

CHASSIS

Wheelbase 3.80 m / rear overhang 0.99 m; Side member height 260 mm; Steel fuel tank 300 l, height 580 mm; Rear mudguards; Worklamp white; Spray suppression; Front underrun protection (FUP); Catwalk with step; Spare wheel carrier side.

Optional

08641 Air tanks aluminium	16157 Fuel tanks, material and sizes
----------------------------------	---

DRAWBAR AND TRAILER EQUIPMENT

Jost JSK42C cast iron 150+40mm; Pneumatic trailer connection palm type; Electric connection 24 V / 2x7 pins.

POWER TAKE-OFF (PTO)

Optional

16148 PTO types and positions

ELECTRICAL POWER SUPPLY

Alternator 80 A, batteries 2x 175 Ah..

Optional

04873 Alternator 110 A	06440 Batteries 2x230Ah
-------------------------------	--------------------------------

GVM AND GCM

Chassis weight related technical GVM max 20500 kg; Driveline related max GCM 44000 kg class 2.

Optional

00939 Driveline related max GCM 56000 kg class 2

APPLICATION CONDITIONS

Moisture separator, heated; Cyclonic air intake behind the cab.

Optional
02270 Cold climate

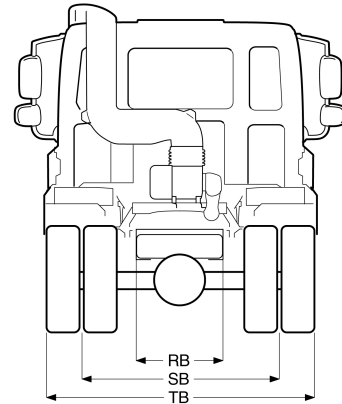
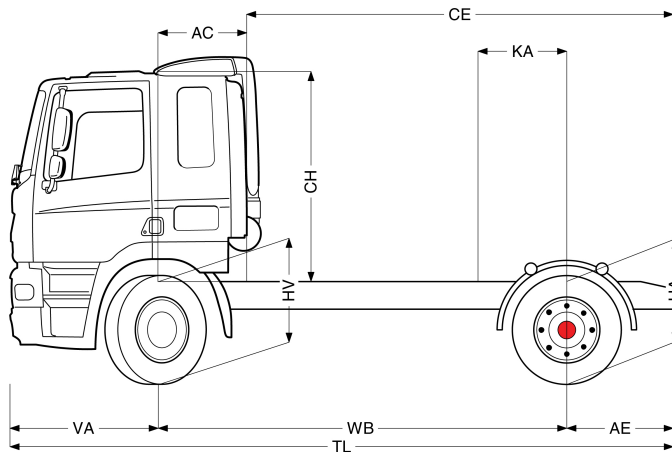
SERVICE AND MAINTENANCE

Standard Warranty takes care of 1 year complete vehicle, 2nd year driveline and 1st year breakdown.; ITS service.



Go to [DAF.com](https://www.daf.com) to configure your own perfect DAF.

FT CF85



	Wheelbase - AE		Unladen weight ⁹⁾			Gross Carrying Capacity			Variable dimensions								
	WB	AE ⁵⁾	Front	Rear	Total	Front	Rear	Total	AC	CE	CH ⁶⁾	KA ⁷⁾	TL	HA ⁸⁾	HA ⁹⁾	TK ¹⁰⁾	TW ¹¹⁾
SPACE CAB	3.25	1.02	4799	2262	7061	2701	7738	10439	0.82	3.45	2.63	0.48	5.65	1.07	0.95	12.01	13.34
	3.60	1.02	4806	2296	7102	2694	7704	10398	0.82	3.80	2.63	0.48	6.00	1.07	0.95	12.91	14.27
	3.80	1.02	4870	2385	7255	2630	7615	10245	0.82	4.00	2.63	0.68	6.20	1.07	0.96	13.43	14.79
DAY CAB	3.25	1.02	4625	2263	6888	2875	7737	10612	0.39	3.88	1.96	0.48	5.65	1.07	0.96	12.01	13.34
	3.60	1.02	4632	2296	6929	2868	7704	10571	0.39	4.23	1.96	0.48	6.00	1.07	0.96	12.91	14.27
	3.80	1.02	4697	2386	7082	2803	7614	10418	0.39	4.43	1.96	0.68	6.20	1.07	0.96	13.43	14.79
SLEEPER CAB	3.25	1.02	4694	2264	6959	2806	7736	10541	0.82	3.45	1.96	0.48	5.65	1.07	0.95	12.01	13.34
	3.60	1.02	4702	2298	6999	2798	7702	10501	0.82	3.80	1.96	0.48	6.00	1.07	0.95	12.91	14.27
	3.80	1.02	4766	2387	7153	2734	7613	10347	0.82	4.00	1.96	0.68	6.20	1.07	0.96	13.43	14.79

OTHER DIMENSIONS VA: 1.38 HV¹²⁾: 0.99 HV¹³⁾: 0.92 RB: 0.79 SB: 1.82 TB: 2.48

- 1) GVM in conformity with registration documents.
- 2) GCM in conformity with registration documents.
- 3) Axle load with standard tyre size.
- 4) Chassis and cab weight calculated with: Standard specification items only with 300 litres of fuel, 0 litres of AdBlue and driver of 80 kg, tolerance $\pm 3\%$. Changing of the specification can have major impact on vehicle weight.
- 5) Other AE dimensions may be available for shown WB.
- 6) Cab height is measured from frame member to closed cabin roof hatch. With air intake on cab roof: +0.14 m.

- 7) Calculate customer specific KA with TOPEC.
- 8) Unladen height at centre of driven axle(s).
- 9) Laden height at centre of driven axle(s).
- 10) TK = turning circle between kerbs.
- 11) TW = turning circle between walls.
- 12) Unladen height at centre of front axle(s).
- 13) Laden height at centre of front axle(s).

Depending on the vehicle configuration a specific option may not be possible. The availability and specification of this vehicle may differ per country. For further information please contact the DAF organisation. Pictures and technical illustrations are not binding in detail and can differ from the standard specification. Subject to modification without prior notice.