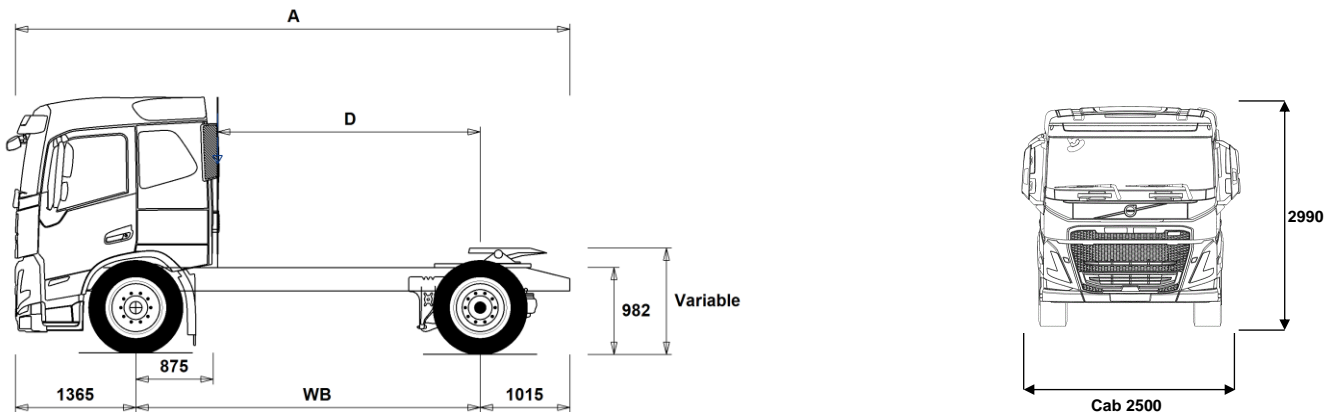


MODEL RANGE

NEW FM Battery Electric 4x2 Tractor - Full Air Suspension FM 42T E



Chassis Dimensions [mm]

WB Wheelbase	3900
A Overall Chassis Length	6280
D Center of rear axle to back of cab	2975
F Fifth Wheel Position (EC Directive 96/53)	775

Chassis Weights [kg]

Front Axle	5925
Rear Axle	3785
Kerb Weight	9710

Turning Diameter [mm]

Turning Circle Diameter Kerb to Kerb	14000
Turning Circle Diameter Wall to Wall	15400

Plated Weights [kg]

	Plated	Design
Gross Vehicle Weight	18000	20500
Gross Combination Weight	40000	44000
Front Axle	8000	8500
Rear Axle	11500	12000

Important Notes

Chassis Dimensions

Cab Height: +370 mm for CAB-HSLP, -208 mm for CAB-LSLP.
 D-measure includes a front clearance of 50 mm and for rigid trucks also a subframe of 100 mm.
 Height can vary ± 20 mm for leaf and ± 10 mm for air suspension.
 All dimensions are for unladen chassis and any tag axles down. Chassis height used: CHH-MED.
 Height change when chassis height CHH-HIGH: 0 mm.

Weight and dimensions are based upon the following tyres:

Front Axle Tyres:	315/80R22.5
Drive Axle Tyres:	315/80R22.5

Chassis weight includes oil, water, AdBlue, 0 litres fuel and without driver. Kerb weight can vary ± 10%.

Turning diameters are theoretically calculated.

Legal weights can differ from country to country.

For more detailed weight information, including optional equipment weights, ask your Volvo sales contact to enter your specification into the Volvo Weight Information system (WIS).

Do NOT use this drawing for bodybuilding. Refer to Volvo Bodybuilder Instructions and chassis assembly drawing FM42TE.

MODEL RANGE

NEW FM Battery Electric 4x2 Tractor - Full Air Suspension FM 42T E

TRUCK USE

- **RC-SMOOT** Road Conditions - Smooth

CORE COMPONENTS

- CHH-HIGH** Chassis Height - High - for loading heights check the unique BEP chassis drawing attached to this quote
- CHH-MED** Chassis Height - Medium - for loading heights check the unique BEP chassis drawing attached to this quote
- **RAD-G4** RAD-G4 - 4x2 Air - Lite
- FME-HSLP** Cab - Globetrotter - all-steel safety cage design with a roof-mounted emergency escape hatch. Designed and built to Swedish impact and ECE R29 regulations
- FME-LSLP** Cab - Low sleeper - with steel safety cage design. Designed and built to Swedish impact and ECE R29 regulations
- **FME-SLP** Cab - Sleeper - all-steel safety cage design with a roof-mounted emergency escape hatch. Designed and built to Swedish impact and ECE R29 regulations
- **EPT2412** Gearbox - I-shift Automated 12-speed - suitable for gross train weights up to 44tonne
- **NEM3** Electric Motors - 3 - Output 490 kW – 666hp continuous power

PACKAGES

- **INFONDF** Media Information Platform with Navigation & Volvo Connect "On board" Support
- DRIV-E** Cab Package - Drive
- DRIV-E+** Cab Package - Drive +
- DRIV-E++** Cab Package - Drive +
- 1LIVFM-E** Sleep & Resting Package - Living one-bed
- 2LIVFM-E** Sleep & Resting Package - Living two-bed
- SAFE-E** Active safety package
- SAFE-E+** Active safety package +
- **RANGOPT5** Range Optimisation Package - 5 years prepaid subscription

CHASSIS

- **FST-AIR** Front suspension type - Air
- **FSLS-BAS** Front suspension levelling - basic stroke
- FAL10.0** Front axle design capacity - 10 tonne - check tyre capacity
- **FAL8.5** Front axle design capacity - 8.5 tonnes
- FAL9.0** Front axle design capacity - 9.0 tonne - check tyre capacity
- FSTAB** Front anti-roll bar - Normal stiffness
- **FSTAB2** Front anti-roll bar - Medium stiffness
- **FSTAB3** Front anti-roll bar - High stiffness
- **RAL12** Rear axle design capacity - 12 tonnes
- **RSTAB1** Rear anti-roll bar - Normal stiffness
- **ASF-DL1** Air suspension with 1 driving level
- ASF-DL3** Air suspension with 3 driving levels
- ASF-DLL** Air suspension with automatically lowered drive height over 60km/h
- **ACTST-TO** Active Steering- Volvo Dynamic Steering - VDS - with extra electronic pump and torque overlay
- ASFE-BAS** Active steering feature - Basic - Volvo Dynamic Steering - VDS - only
- ASFE-OG** Active steering feature - Volvo Dynamic Steering - VDS - with stability assist - oversteer
- ASFE-PO** Active steering feature - Volvo Dynamic Steering - VDS - with personal settings and stability assist
- ASFE-PS** Active steering feature - Volvo Dynamic Steering - VDS - with personal settings
- **AUXPARK** Auxiliary parking brake - Additional spring brakes
- **RST-AIR** Rear suspension type - Air
- **FRAME266** Chassis frame section external height - 266 mm

- FRAME300** Chassis frame section external height - 300 mm
- **FST8080** Chassis frame thickness - 8 mm web and flange
- FIL-EEEB** Chassis frame inner liner - From the end of the engine to the end of the bogie
- **BBOX-EF** Battery box position - End of the frame in rear overhang
- **BATTAMP** Battery management - Voltage and current gauge
- BATTIND** Battery management - Voltage, current and charge indicators
- WHC-FOL1** One foldable wheel chock
- WHC-FOL2** Two foldable wheel chocks
- WHCP-F** Wheel chock carrier position - In the front part of the vehicle
- WHCP-T** Wheel chock carrier position - Outer luggage locker
- CHAIN-S** Snow chains
- HOOK-SC** Snow chain hooks
- **TOWF-NO1** Front towing device - One detachable - stored in cab
- TOWF-NO2** Front towing device - Two detachable - stored in cab
- TOWR-ONE** Towing hitch attached to rear crossmember
- **TREL15** Trailer electrical connection - Single 15 pin - ADR certified
- TREL7-7** Trailer electrical connection - 2 x 7 pin - 24N and 24S
- TBC-DUO** Trailer brake connections - Duomatic type
- TBC-EC** Trailer brake connections - EC palm coupling connectors
- **TBC-GBR** Trailer brake connections - 'C' and 'CA' type
- TRBR-HCF** Full pressure hand controlled trailer brake
- **TRBR-STA** Stationary trailer brake control
- TRB-STRE** Stretch Brake - Automatic low speed trailer brake activation to avoid jack-knifing and improve steerability
- **RFEND-B** Rear mud wings - Three piece EC approved and spray flaps
- **RFH-BAS** Basic rear wing height
- RFH-HIG** High rear wing height - higher wing tops
- RFH-LOW** Lower rear wing height - shallower wing tops
- **BLIGHT-E** Emergency brake light

WHEELS & TYRES

- **RT-AL** Wheels - Alcoa brushed aluminium rims - standard holes for long stud fixing
- RT-ALDP** Wheels - Alcoa Dura-Bright aluminium rims - standard holes for long stud fixing
- RT-ALDPD** Wheels - Alcoa Dura-Bright EVO aluminium rims - countersunk holes for short stud fixing
- RT-ALDU** Wheels - Alcoa brushed aluminium rims - countersunk holes for short stud fixing
- RT-STEEL** Wheels - Steel rims
- SPWT-D** Spare wheel & tyre with rear tyre pattern
- SPWT-F** Spare wheel & tyre with front tyre pattern
- SWCP-T** Spare wheel supplied temporarily strapped to chassis
- SWCP-TP** Temporary spare wheel carrier on top of chassis frame
- JACK-12T** 12 tonne bottle jack
- JACK-15T**
- JACK-20T**
- **TOOL-BAS** Basic Toolkit
- TOOLKIT** Complete tool kit
- INFLAHOS** Tyre inflation hose
- GAUGE-TP** Tyre pressure gauge

DRIVELINE EQUIPMENT

- **DRM-BE** Drive Mode - Balanced & Economy
- **PVT-MAP** I-See Predictive Cruise Control - using map based topography information
- EP400A** Electric Power Outlet Voltage - 400V AC
- PTR-D** Gearbox PTO for plug-in pump, 0.71xeng speed

■ Standard Equipment Optional Equipment

For more detailed information about cab and powertrain equipment, please refer to separate specification sheets.

For all possible options and combinations of options please consult your Volvo sales contact who can create a specification to match your requirements using the Volvo Sales Support system (VSS).

The factory reserves the right to modify design and change equipment without previous notification. The specification can vary from country to country.

MODEL RANGE

NEW FM Battery Electric 4x2 Tractor - Full Air Suspension FM 42T E

<input type="checkbox"/> PTR-DH	Gearbox driven high speed PTO for one plug-in hydraulic pump	<input type="checkbox"/> REMC-MF	Multi-functio wireless remote control
<input type="checkbox"/> PTR-DM	Gearbox driven medium speed PTO for one plug-in hydraulic pump	■ FIREXT3S	Fire extinguisher - 3kg mounted on the seat base
<input type="checkbox"/> PTR-F	Gearbox driven PTO with rear flange connection	<input type="checkbox"/> WARNVEST	High visibility warning vest - no sleeves
<input type="checkbox"/> PTR-FH	Gearbox driven high speed PTO with SAE drive flange	■ WARNTRI2	Roadside hazard warning triangle
<input type="checkbox"/> PTR-FL	Gearbox driven low speed PTO with SAE drive flange	<input type="checkbox"/> AIDKIT	First aid kit - Legal demand for EU markets including delivery to EU bodybuilder
<input type="checkbox"/> PTRD-D	Gearbox driven HIGH SPEED PTO for two plug-in hydraulic pumps	<input type="checkbox"/> AIDKIT1B	First aid kit - Legal demand for trucks transiting Germany
<input type="checkbox"/> PTRD-D1	PTRD-D1 Gearbox driven HIGH SPEED PTO (1 SAE flange & 1 plug-in hydraulic pump)	<input type="checkbox"/> WARNLAMP	Portable warning lamp
<input type="checkbox"/> PTRD-D2	Gearbox driven HIGH SPEED PTO (2 SAE flanges & 1 plug-in hyd pump)	<input type="checkbox"/> LAMP-IN	Inspection lamp
<input type="checkbox"/> PTRD-F	PTO with 1 DIN + 1 flange connection rear, manual gearbox	<input type="checkbox"/> BULBKIT	Bulb and fuse kit
<input type="checkbox"/> HPG-F101	Parker F1-101 gearbox mounted, fixed displacement, single flow, hydraulic pump	<input type="checkbox"/> WRITEPAD	Writing pad
<input type="checkbox"/> HPG-F41	Parker F1-41 gearbox mounted, fixed displacement, single flow, hydraulic pump	■ DST-CF4	Driver seat - Suspended, adjustable shock absorber, travel, backrest & lumbar controls with integrated seatbelt
<input type="checkbox"/> HPG-F51	Parker F1-51 gearbox mounted, fixed displacement, single flow, hydraulic pump	<input type="checkbox"/> DST-CF5	Driver seat - Suspended with adjustable shock absorber, travel, backrest, lumbar & heat controls with integrated seatbelt
<input type="checkbox"/> HPG-F61	Parker F1-61 gearbox mounted, fixed displacement, single flow, hydraulic pump	<input type="checkbox"/> DST-CF6	Driver seat - Suspended with adjustable shock absorber, travel, backrest, lumbar, heat and ventilation controls with integrated seatbelt
<input type="checkbox"/> HPG-F81	Parker F1-81 gearbox mounted, fixed displacement, single flow, hydraulic pump	<input type="checkbox"/> SBD-RED	Seat belt colour - Red
■ CRUIS-E	Eco cruise control (with eco-roll and I-cruise, controls in steering wheel)	<input type="checkbox"/> PST-BAS1	Passenger seat - Fixed non suspended fold up with seatbelt mounted on cab "B" post
■ DTRI-PER	Dashboard in darker peregrine greyish brown. Steering wheel grey and door panels in light beige for FH and black for FH16.	<input type="checkbox"/> PST-CF4	Passenger seat - Suspended, adjustable shock absorber, travel, backrest & lumbar controls with integrated seatbelt
■ STWPOS-R	Steering wheel position - RIGHT-HAND DRIVE	<input type="checkbox"/> PST-CF5	Passenger seat - Suspended with adjustable shock absorber, travel, backrest, lumbar & heat controls with integrated seatbelt
<input type="checkbox"/> STWM-LE	Steering wheel - Leather rim	■ PST-STD2	Passenger seat - Fixed with backrest adjustment, non suspended with seatbelt mounted on cab "B" post
■ STGW-AD2	Steering wheel adjustment - Neck tilt, column height and angle	<input type="checkbox"/> PST-STD4	Passenger seat - Standard suspended with seatbelt mounted on cab "B" post
<input type="checkbox"/> ARSL	Additional road speed limit - switch in dashboard	<input type="checkbox"/> SBPRE-PS	Passenger seat belt pretensioner
■ ESP-BAS1	Electronic Stability Control ESC	<input type="checkbox"/> ARMRE-BB	Armrests - Two on both driver & passenger seats
<input type="checkbox"/> ESPC-RO	Additional ESC functions - Reduced / Off	<input type="checkbox"/> ARMRE-DB	Armrests - Two on the driver seat
<input type="checkbox"/> HWSS-AC	Adaptive cruise control with forward collision warning	<input type="checkbox"/> ARMRE-PB	Armrests - Two on the passenger seat
<input type="checkbox"/> HWSS-ACB	Adaptive cruise control ACC with forward collision warning and AEBS advanced emergency brake system	<input type="checkbox"/> ARU-BAS	Armrest upholstery - Vinyl
■ HWSS-FCB	Forward collision warning with AEBS advanced emergency brake system	<input type="checkbox"/> ARU-LEA	Armrest upholstery - Leather
■ LSS-DW	Lane departure-warning system	■ FMAT-RUB	Footwell floor mats - Rubber
■ LCS4	Side Collision Avoidance Support - passenger and driver side	<input type="checkbox"/> FMAT-TX2	Footwell floor mats - Two sets, Rubber and textile with an embossed pile supplied in the cab
<input type="checkbox"/> DAS-W	Driver Alert Support system	■ LBK70	Lower bunk 700 x2000 mm, fixed
<input type="checkbox"/> RSENS-W	Rain sensing windscreen wipers	<input type="checkbox"/> MATL-FI	Firm lower bunk pocket sprung mattress
■ CU-ECC	Cab Climate Unit - Electrically controlled air conditioning with sun sensor	■ MATL-SF	Lower mattress - Flexi-zone semi-firm, pocket springs up to 100kg - 16 stone
<input type="checkbox"/> CU-ECC2	Cab Climate Unit - Electrically controlled air conditioning with carbon filter, sun, mist, and air quality sensor	<input type="checkbox"/> OLMAT-BA	Mattress overlay protector - 35mm thick
■ IMMOBIL	Thatcham H2 approved immobiliser	<input type="checkbox"/> OLMAT-PR	Mattress overlay protector - Premium 50mm thick
<input type="checkbox"/> ALARM-E	Enhanced vehicle alarm - Thatcham H1 approved - Cab plus external sensor for body/trailer	<input type="checkbox"/> TBK60F	Top bunk - Fixed foldable 600 x 1900mm
■ BUPMON	Back up monitor - Digital reverse camera, parameter & lead supplied loose in cab.	<input type="checkbox"/> TBK70F	Top bunk - Fixed foldable 700 x 1900mm
<input type="checkbox"/> ISUNS-BS	Side sun visor - Driver & passenger side	<input type="checkbox"/> ETSB-F	Storage on engine tunnel - Central document box with two rear cup holders
■ ISUNS-DS	Side sun visor - Driver-side	<input type="checkbox"/> RUS-BAS	Rear cab upper storage - 300 mm high
<input type="checkbox"/> ISUNF-RE	Electrically operated textile interior sun blind	<input type="checkbox"/> RUS-HIG	Rear cab upper storage - 440 mm high - volume 245 litres
■ ISUNF-RM	Manually operated textile interior sun blind	<input type="checkbox"/> REF-ICPK	Fridge - Engine tunnel mounted preparation kit
<input type="checkbox"/> ADFS	Two extra DIN slots in front shelf - can be fitted with card or drawer available as an accessory	<input type="checkbox"/> REFR-RUS	Fridge - 28 litre rear upper wall mounted with dividers
■ BUPALARM	Reverse alarm	<input type="checkbox"/> MICRO-PK	Wiring preparation kit for microwave oven
<input type="checkbox"/> RTOLL-PK	Road toll PREPARATION kit for trucks operating with "Toll Collect" in Germany	■ BOTH-D	Bottle holder - One under dashboard centre section
■ LOADIND	Load indicator with central dashboard display	<input type="checkbox"/> COFMA-PK	Coffee maker - Preparation kit.
		■ INLI-BAS	Interior light - White LEDs
		<input type="checkbox"/> INLI-NL	Interior light - White and red nightlight LEDs without dimmer
		<input type="checkbox"/> INLI-NLD	Interior light - White and red nightlight LEDs with dimmer
		<input type="checkbox"/> ARL-FLEX	Flexible reading lamps - Two "snake" type
■ Standard Equipment	<input type="checkbox"/> Optional Equipment		

For more detailed information about cab and powertrain equipment, please refer to separate specification sheets.

For all possible options and combinations of options please consult your Volvo sales contact who can create a specification to match your requirements using the Volvo Sales Support system (VSS).

The factory reserves the right to modify design and change equipment without previous notification. The specification can vary from country to country.

MODEL RANGE

NEW FM Battery Electric 4x2 Tractor - Full Air Suspension FM 42T E

<input checked="" type="checkbox"/> RH-EE	Fixed tinted glass sky window with emergency exit	<input type="checkbox"/> SPOTP-F	Spotlamp preparation in front, max 280W
<input type="checkbox"/> RH-ER	Steel roof hatch - Electrically operated, rear opening with emergency exit	<input type="checkbox"/> SPOTP-R	Spotlamp preparation on roof, max 280W
<input type="checkbox"/> RH-ETR	Tinted glass roof hatch - Electrically operated, rear opening with emergency exit	<input type="checkbox"/> SPOTP-RF	Spotlamp preparation on cab roof and in cab front, max 2x280W
<input type="checkbox"/> RH-MTR	Tinted glass roof hatch - Manually operated, rear opening with emergency exit	<input type="checkbox"/> ROS-IL	Globetrotter roof sign illuminated
<input checked="" type="checkbox"/> GLAS-TIN	Cab windows - Tinted	<input type="checkbox"/> ROS-IL2	Preparation kit for illuminated roof sign with switch loose in cab, fit after registration
<input type="checkbox"/> AWIND-RF	Rear window	<input type="checkbox"/> ROS-ILP	Roof sign illumination preparation kit
<input type="checkbox"/> SWIND-BS	Cab side window - On both sides behind 'B' post	<input type="checkbox"/> CSGN-GTR	"Globetrotter" headboard logo
<input type="checkbox"/> SWIND-PS	Cab side window - Left side behind 'B' post	<input checked="" type="checkbox"/> HORN-F1S	Horn - Air single tone - chassis mounted
<input type="checkbox"/> VANMIR	Vanity mirror - In front shelf	<input type="checkbox"/> HORN-R2S	Horn - Air - Two roof-mounted
<input type="checkbox"/> AS-FUS	Extra shelf in front compartments	<input type="checkbox"/> ANT-CBR	Roof mounted antenna for CB radio, single aerial. Only Globetrotter cabs brings in extra DIN slots.
<input type="checkbox"/> INFOT-PK	Preparation kit for the mounting of a flat screen TV in cab above the driver's door, includes bracket, electrical and speaker connections	<input type="checkbox"/> ACCB-R	Roof mounted accessory bracket
CAB EXTERIOR		<input type="checkbox"/> ACCB-AP	Front, middle & rear roof mounted accessory brackets
<input checked="" type="checkbox"/> EXTL-BA2	Enhanced exterior finish - Satin Volvo badges, instep, bumper, and mirror housing in cab colour. Main grille in thunder grey. Aluminium step inserts. Sunvisor and bumper spoiler in cab colour if specified.	<input type="checkbox"/> ACCB-F	Front roof mounted accessory bracket
<input checked="" type="checkbox"/> LOCK-CTL	Door locks - Central locking with key	<input type="checkbox"/> ACCB-FM	Front & middle roof mounted accessory brackets
<input type="checkbox"/> LOCK-REM	Door locks - Remote central locking	<input type="checkbox"/> ACCB-FR	Front & rear roof mounted accessory brackets
<input checked="" type="checkbox"/> BUMP-B	Plastic front bumper	<input type="checkbox"/> ACCB-M	Middle roof mounted accessory bracket
<input type="checkbox"/> BUMP-B2	Front bumper - Steel	<input type="checkbox"/> ACCB-R	Rear roof mounted accessory bracket
<input checked="" type="checkbox"/> BUMP-SP	Front bumper spoiler	<input type="checkbox"/> ACCB-RM	Rear & middle roof mounted accessory brackets
<input type="checkbox"/> CTILT-P-E	Electrically operated hydraulic cab tilt	<input type="checkbox"/> RFCAR-BC	Rear mudwing carrier, back of cab
<input checked="" type="checkbox"/> CTILT-P-M	Manually operated hydraulic cab tilt	<input type="checkbox"/> LADDER	Ladder back of cab
<input checked="" type="checkbox"/> FCABS-A	Front cab suspension - Air	<input type="checkbox"/> REFS-TW	White cab conspicuity markings by packed in cab
<input checked="" type="checkbox"/> FCABS-M	Front cab suspension - Mechanical spring	<input type="checkbox"/> REFS-TY	Yellow cab conspicuity markings by packed in cab
<input type="checkbox"/> RCABS-A	Rear cab suspension - Air	SUPERSTRUCTURE PREPARATIONS	
<input checked="" type="checkbox"/> RCABS-M	Rear cab suspension - Mechanical spring	<input type="checkbox"/> 5WM-ASL	Fifth wheel mount - Air operated slider with 4mm L profiles
<input checked="" type="checkbox"/> MIRCFCPS	Mirrors - Electrically heated and operated main and wide-angle with manually adjusted kerb view mirror on the passenger side and position camera in nearside mirror arm.	<input type="checkbox"/> 5WM-ASM	Fifth wheel mount - Air operated slider with 50mm L profiles
<input type="checkbox"/> MIRCFCPX	Mirrors - Electrically heated and operated - FMX- main and wide-angle with manually adjusted kerb view mirror on the passenger side and position camera in nearside mirror arm. To increase direct vision to the side the main mirrors have no cowlings	<input type="checkbox"/> 5WM-ISOL	Fifth wheel mount - Flush L profiles with 12mm ISO plate - 16mm high above chassis frame
<input checked="" type="checkbox"/> AMIR-F20	Auxiliary front view mirror with a 200mm radius	<input checked="" type="checkbox"/> 5WM-ISOM	Fifth wheel mount - 50mm L profiles with 10mm ISO plate - 60mm high above chassis frame
<input type="checkbox"/> SUNV-H	External smoke grey sunvisor	<input type="checkbox"/> 5WM-LPRO	Fifth wheel mount - Direct to frame with inverted 'L'-profiles
<input type="checkbox"/> AD-ROOF	Cab roof deflector - Adjustable	<input checked="" type="checkbox"/> 5WT-FO14	Fifth wheel - Fontaine 150SP2 pressed steel
<input type="checkbox"/> AD-SIDEL	Cab side deflector - Long extension panels	<input type="checkbox"/> 5WT-FO15	Fifth wheel - Fontaine 3000 lightweight cast air operated slider - for moderate duty off-road.
<input checked="" type="checkbox"/> ADCF-F	Additional black edging on chassis side skirt	<input type="checkbox"/> 5WT-JO8	Fifth wheel - Jost JSK 37 cast
<input type="checkbox"/> HLP-ST	Headlamp protection	<input type="checkbox"/> 5WT-JO9	Fifth wheel - Jost JSK 42 cast
<input type="checkbox"/> HLP-ST2	Mesh headlamp protection	<input type="checkbox"/> 5WT-SH	Fifth wheel - SAF-Holland/+GF+ SK-S 36.20 cast
<input checked="" type="checkbox"/> DRL-LED	V-shaped daytime running lights	<input type="checkbox"/> 5WH140	Leg-height - 140 mm
<input type="checkbox"/> DRIVL2	Two spot lamps	<input type="checkbox"/> 5WH150	Leg-height - 150 mm
<input checked="" type="checkbox"/> UDRIVL	Auxiliary driving lights - Without	<input type="checkbox"/> 5WH160	Leg-height - 160 mm
<input checked="" type="checkbox"/> FOGL-WC	Front fog lights	<input type="checkbox"/> 5WH175	Leg-height - 175mm
<input checked="" type="checkbox"/> CL-STAT	Static corner lights	<input type="checkbox"/> 5WH185	Leg-height - 185 mm
<input type="checkbox"/> ASL-RF2	Two Hella H11 70W spotlamps in sign box	<input type="checkbox"/> 5WH195	Leg-height - 195mm
<input type="checkbox"/> BEACOA2F	Roof beacons - Two front roof mounted amber LED	<input type="checkbox"/> 5WH200	Leg-height - 200 mm
<input type="checkbox"/> BEACOA2R	Roof beacons - Two rear roof mounted amber LED	<input type="checkbox"/> 5WH205	Leg-height - 205 mm
<input type="checkbox"/> BEACON-P	Roof beacons - switch and wiring preparation only	<input type="checkbox"/> 5WH210	Leg-height - 210 mm
<input type="checkbox"/> BEACONA4	Roof beacons - Four amber LED - two front/ two rear	<input type="checkbox"/> 5WH220	Leg-height - 220mm
<input type="checkbox"/> CABPT-R1	Single outlet for roof mounted accessories	<input type="checkbox"/> 5WH230	Leg-height - 230 mm
<input checked="" type="checkbox"/> CABPT-R2	Twin outlets for roof mounted accessories.	<input checked="" type="checkbox"/> 5WLM-B	Maintenance - Basic fifth wheel - standard top plate
<input checked="" type="checkbox"/> Standard Equipment		<input type="checkbox"/> 5WLM-L	Maintenance - Low maintenance with nylon top plate
<input type="checkbox"/> Optional Equipment		<input type="checkbox"/> 5WL-S1	Fifthwheel lubrication - Locking mechanism and top plate
		<input type="checkbox"/> 5WL-S2	Fifthwheel lubrication - Locking mechanism only
		<input type="checkbox"/> TCIND	Trailer connection indicator - Sensors for height, kingpin and coupling lock
		<input checked="" type="checkbox"/> RDECK	Catwalk - Single plate and step
		<input type="checkbox"/> RDECK-M	Catwalk - Extended with two plates and step
		<input type="checkbox"/> SRWL-2RA	Chassis-mounted working lamps - Two amber rear-mounted LED lamps and 3 position switch
		<input type="checkbox"/> SRWL-2RW	Chassis-mounted working lamps - Two white rear-mounted LED lamps and 3 position switch
		<input type="checkbox"/> SRWL-PK	Chassis-mounted working lamps - Side work and reverse lamp preparation and 3 position switch - Max load 280W
		<input type="checkbox"/> SWL-2RA	Chassis-mounted working lamps - Two amber rear-mounted LED lamps

For more detailed information about cab and powertrain equipment, please refer to separate specification sheets.

For all possible options and combinations of options please consult your Volvo sales contact who can create a specification to match your requirements using the Volvo Sales Support system (VSS).

The factory reserves the right to modify design and change equipment without previous notification. The specification can vary from country to country.

MODEL RANGE

NEW FM Battery Electric 4x2 Tractor - Full Air Suspension FM 42T E

- **SWL-2RW** Chassis-mounted working lamps - Two white rear-mounted LED lamps
- **SWL-PK** Chassis-mounted working lamps - Side work lamp preparation and 2 position switch - Max load 280W
- **WL-TA1W** Coupling light - White
- **WLC-H2A** Two H3/70W working lamps with amber coloured lens high mounted back of cab
- **WLC-H2W** Two H3/70W white working lamps high mounted on the back of cab
- **WLC-PKH** Preparation kit, cables and switch for high mounted working lamps back of cab
- **WLC-PKL** Preparation kit, cables and switch for low mounted working lamps back of cab
- **WLC-PKLH** Preparation kit - cables and switch for low and high mounted working lamps back of cab.
- **ECBB-HIG** Body builder electrical centre with body builder module
- **BBCHAS1** One 7-pole connector for Body builder interface
- **BBCHAS3** Three 7-pole connectors for Body builder interface
- **BEPR-T2** Body builder electrical software preparation for tipper with remote control
- **EXSTER** External steering control - Volvo dynamic steering and bodybuilder module prepared for external control system, installed and computer by bodybuilder
- **TD-LED** Trailer detection with LED sensing
- **AUXL-SPK** Electrical preparation kit - wiring and switch for snow plough lights
- **TAILPRE2** Tail lift preparation kit, wireless remote operation
- **TAILPREP** Taillift preparation kit - cab switch and warning in driver display
- **AESW2** Two Body builder bistable electrical switches (marked AUX1 / AUX2)
- **AESW2PK** 2 Body builder bistable el.switches (marked AUX1/AUX2) and prep. for 4 more switches
- **AUXSW-4** Wiring for 4 extra switches (from Body builder electrical centre to switch positions)

DELIVERY SERVICES

- **FMS-PK** Fleet Management System gateway - required for aftermarket telematics
- **DRUT1** Driver utility app - "My Truck" - 1 year subscription
For mobile phone, tablet, with android and IOS systems.
Only available with Volvo Connect subscription
- **DRUT2** Driver utility app - "My Truck" - 2 year subscription
For mobile phone, tablet, with android and IOS systems.
Only available with Volvo Connect subscription
- **DRUT3** Driver utility app - "My Truck" - 3 year subscription
For mobile phone, tablet, with android and IOS systems.
Only available with Volvo Connect subscription
- **DRUT4** Driver utility app - "My Truck" - 4 year subscription
For mobile phone, tablet, with android and IOS systems.
Only available with Volvo Connect subscription
- **DRUT5** Driver utility app - "My Truck" - 5 year subscription
For mobile phone, tablet, with android and IOS systems.
Only available with Volvo Connect subscription