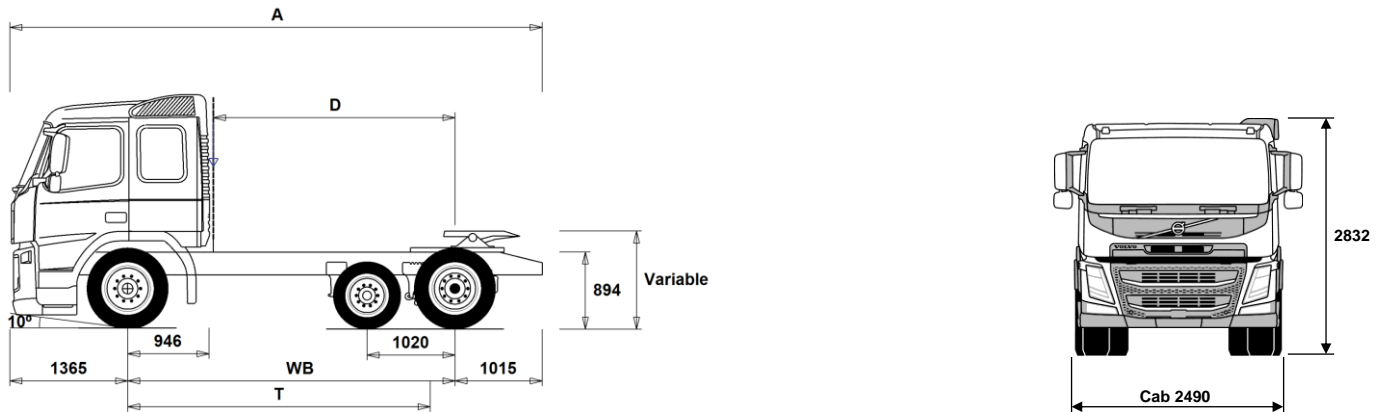


MODEL RANGE



Volvo Trucks. Driving Progress

FM 11 6x2 Tractor - Low - Lite Pusher - Rear Air Suspension FM 62 PT1LA



Chassis Dimensions [mm]

WB Wheelbase	3800	4000
A Overall Chassis Length	6180	6380
D Center of rear axle to back of cab	2804	3004
F Fifth Wheel Position (EC Directive 96/53)	675	675
T Theoretical Wheelbase	3513	3713

Chassis Weights [kg]

Front Axle	4565	4560
Rear Bogie	2510	2535
Kerb Weight	7075	7095

Turning Diameter [mm]

Turning Circle Diameter Kerb to Kerb	12800	13400
Turning Circle Diameter Wall to Wall	14200	14800

Plated Weights [kg]

	Plated	Design
Gross Vehicle Weight	22800	23100
Gross Combination Weight	44000	44000
Front Axle	7100	7100
Rear Bogie	16000	16000

Important Notes

Chassis Dimensions

Cab Height: +416 mm for CAB-HSLP, -169 mm for CAB-LSLP, +554 mm for CAB-XHSL.

Front Axle to Back of Cab: -424 mm for CAB-DAY, -6 mm for CAB-LSLP.

D-measure includes a front clearance of 50 mm and for rigid trucks also a subframe of 100 mm.

Height can vary ± 20 mm for leaf and ± 10 mm for air suspension.

All dimensions are for unladen chassis and any tag axles down.

Weight and dimensions are based upon the following tyres:

Front Axle Tyres:	315/60R22.5
Drive Axle Tyres:	315/60R22.5
Trailing/Pusher Axle Tyres:	245/70R17.5

Chassis weight includes oil, water, AdBlue, 0 litres fuel and without driver. Kerb weight can vary $\pm 3\%$.

Turning diameters are theoretically calculated. Tag axle used: PA-FIXED.

Legal weights can differ from country to country.

For more detailed weight information, including optional equipment weights, ask your Volvo sales contact to enter your specification into the Volvo Weight Information system (WIS).

Do NOT use this drawing for bodybuilding. Refer to Volvo Bodybuilder Instructions and chassis assembly drawing FM62PT1LA.

MODEL RANGE

FM 11 6x2 Tractor - Low - Lite Pusher - Rear Air Suspension FM 62 PT1LA

TRUCK USE

- **RC-SMOOT** Operating class highway

CORE COMPONENTS

- **CHH-LOW** Chassis height low - For a specific loading height always check the unique BEP chassis drawing
- **PU-FIXS** Fixed pusher axle
- **RAPD-G4** Rear air suspension, 2 axles - 1 lite pusher / 1 driven
- **RAPD-GR** Rear air suspension, 2 axles - 1 pusher/1 driven
- **FM-DAY** Day cab - with steel safety cage design
Designed and built to Swedish impact and ECE R29 regulations
- **FM-HSLP** Globetrotter cab - with steel safety cage design
Designed and built to Swedish impact and ECE R29 regulations
- **FM-LSLP** Low sleeper cab - with steel safety cage design
Designed and built to Swedish impact and ECE R29 regulations
- **FM-SLP** Sleeper cab - with steel safety cage design
Designed and built to Swedish impact and ECE R29 regulations
- **FM-XHSL** Globetrotter LXL cab - with steel safety cage design
Designed and built to Swedish impact and ECE R29 regulations
- **EU6SCR** Emission level - Euro 6
- **D11K330** D11K330 10.8 litre engine developing 330hp at 16-1900rpm.
Peak torque 1600Nm at 950-1400rpm.
- **D11K380** D11K380 10.8 litre engine developing 380hp at 17-1900rpm.
Peak torque 1800Nm at 950-1400rpm.
- **D11K430** D11K430 10.8 litre engine developing 430hp at 17-1800rpm.
Peak torque 2050Nm at 1058-1400rpm.
- **D11K460** D11K460 10.8 litre engine developing 450hp at 16-1800rpm.
Peak torque 2200Nm at 1050-1400rpm.
- **EBR-EPGC** Exhaust pressure governor for I shift gearbox
- **EBR-VEB** Volvo engine brake and exhaust pressure governor retardation 300kW
- **AT2412F** AT2412F 12-speed "I-shift" automated mechanical gearbox suitable for gross train weights up to 44tonne only refer to sales engineering when used in conjunction with a PTO
- **AT2612F** AT2612F 12-speed "I-shift" automated mechanical gearbox suitable for gross train weights up to 60tonne only refer to sales engineering when used in conjunction with a PTO
- **RSS1344E** RSS1344E single reduction rear axle with differential lock - design GCW 44tonne
- **RSS1352A** RSS1352A single reduction 13 tonne rear axle with differential lock - design GCW 52 tonne
- **RSS1356** RSS1356 single reduction rear axle with differential lock - design GCW 56 tonne
- **RSS1370A** RSS1370A single reduction 13 tonne rear axle with differential lock - design GCW 70 tonne
- **RSS1370B** RSS1370B single reduction 13 tonne rear axle with differential lock - design GCW 70 tonne

PACKAGES

- **LHFP-VE** Long Haul Fuel Economy driving package
- **DRIVEFM** Cab Package: Drive
- **DRIVEFM+** Cab Package: Drive +
- **BEDFM** One bed resting package
- **AUDHIG** High Power Audio system: RDS radio with CD player - also playing MP3/WMA files from CD -, with integrated bluetooth phone and USB/Line inputs. FM/AM antenna, speakers in dashboard, doors, and sleeping compartment.
- **MEDIA** AM/FM Bluetooth radio without CD player.
USB and Aux line inputs.
Speakers in dashboard, doors, and sleeping compartment.
7" touch screen with personal apps.
- **MEDIADF** AM/FM Bluetooth radio without CD player.

- Standard Equipment
- Optional Equipment

For more detailed information about cab and powertrain equipment, please refer to separate specification sheets.

For all possible options and combinations of options please consult your Volvo sales contact who can create a specification to match your requirements using the Volvo Sales Support system (VSS).

The factory reserves the right to modify design and change equipment without previous notification. The specification can vary from country to country.

- USB and Aux line inputs.
Speakers in dashboard, doors, and sleeping compartment.
7" touch screen with personal and professional apps.
Dynafleet vehicle on-board data display with office internet support.
 - **MEDIANAV** AM/FM Bluetooth radio without CD player.
USB and Aux line inputs.
Speakers in dashboard, doors, and sleeping compartment.
7" touch screen with personal and professional apps.
Truck based satellite navigation (live updates not included)
AM/FM Bluetooth radio without CD player.
USB and Aux line inputs.
Speakers in dashboard, doors, and sleeping compartment.
7" touch screen with personal and professional apps.
Truck based satellite navigation (live updates not included)
Dynafleet vehicle on-board data display with office internet support.
 - **MEDIANDF** AM/FM Bluetooth radio without CD player.
USB and Aux line inputs.
Speakers in dashboard, doors, and sleeping compartment.
7" touch screen with personal and professional apps.
Truck based satellite navigation (live updates not included)
Dynafleet vehicle on-board data display with office internet support.
 - **VISI15** Visibility Package
 - **VISI15+** Visibility Plus Package
 - **ASAF15** Active Safety Package
- ### CHASSIS
- **FST-AIR** Front suspension type - air
 - **FAL7.1** Front axle design capacity 7.1 tonnes
 - **FAL7.5** Front axle design capacity 7.5 tonnes
 - **FSTAB2** Front anti-roll bar medium stiffness
 - **FSTAB3** Front stiff anti-roll bar
 - **RAL16** Rear bogie design capacity 16 tonnes
 - **RSTAB1** Rear anti-roll bar
 - **RSTAB3** Rear stiff anti-roll bar
 - **RALIM115** Rear axle load limiter, 11.5 tonnes
 - **ASF-DL1** Air suspension with 1 driving level
 - **ACTST-TO** Volvo Dynamic Steering (VDS) with with extra electronic pump and torque overlay
 - **ASFE-BAS** Active steering feature - Basic - Volvo Dynamic Steering only
 - **ASFE-OG** Active steering feature - Volvo Dynamic Steering with stability assist - oversteer
 - **ASFE-PO** Active steering feature - Volvo Dynamic Steering with personal settings and stability assist
 - **ASFE-PS** Active steering feature - Volvo Dynamic Steering with personal settings
 - **PSS-SING** Single power steering system
 - **PSP-FIX** Power steering pump with fixed displacement
 - **PSP-VAR** Power steering pump with variable displacement
 - **EBS-MED** EBS medium package including "hill" hold function
 - **FRAME266** Frame rail section external height 266 mm
 - **FST6565** Frame thickness - web and flange 6.5mm
 - **FST7070** Frame thickness - web and flange 7.0mm
 - **FST8080** Frame thickness - web and flange 8.0mm
 - **BBOX-EF** Battery box located in the end of frame
 - **BBOX-L** Battery box located on left hand side
 - **2BAT210B** 2 x 210 Ah capacity Gel batteries
 - **2BATT225** 2 x 225 Ah capacity batteries
 - **BATTAMP** Battery voltage and ampere gauge
 - **BATTIND** Battery charge indication
 - **ADR2** ADR package for transportation of dangerous goods on road (Note does NOT include safe loading pass package if required this is quoted seperately)
 - **MSWI-A** Main switch - ADR switch circuit shut down
 - **MSWI-C** Main switch - Chassis mounted toggle switch by battery box
 - **MSWI-R** Main switch - Key fob operated remote controlled
 - **R225A56** Right aluminium 710 mm D-shaped fuel tank, 225 litres volume.

MODEL RANGE

FM 11 6x2 Tractor - Low - Lite Pusher - Rear Air Suspension FM 62 PT1LA

	Min volume 225l Max volume 255l	<input type="checkbox"/> COREC001	Continental ECOPLUS HS3 XL/HD3 - Energy rating B or C depending on size
<input checked="" type="checkbox"/> L255A56	Left aluminium 560mm 255litre (245l usable) D-shaped fuel tank Min volume 160l Max volume 535l	<input type="checkbox"/> COREC002	Continental ECOPLUS HS3/HD3 - Energy rating B or C depending on size
<input checked="" type="checkbox"/> ADTP-BC <input type="checkbox"/> ADTP-R	AdBlue tank behind/under cab on right hand side AdBlue tank on right hand side	<input type="checkbox"/> COREC003	Continental Efficient Pro S/D - Fuel Tyre Recommendation 3 Reduced mileage compared to Conti EcoPlus long haul pattern please consider when selecting these tyres.
<input type="checkbox"/> ADB048 <input checked="" type="checkbox"/> ADB050 <input type="checkbox"/> ADB068	AdBlue tank usable volume 48 litres AdBlue tank usable volume 50 litres - under cab AdBlue tank usable volume 68 litres	<input type="checkbox"/> GYREC001	Goodyear FUELMAX S/HL/D - Energy rating B or C depending on size
<input checked="" type="checkbox"/> FCAP-L	Locking fuel filler cap	<input type="checkbox"/> GYREC004 <input type="checkbox"/> HAREC001 <input type="checkbox"/> HAREC002	Goodyear FUELMAX S - Energy rating B depending on size Hankook AL10+ E-Cube Max Long Haul Tyre - Energy rating B Hankook AL10+ E-Cube Long Haul Tyre - Energy rating B with wide single
<input checked="" type="checkbox"/> FUFF-AS <input type="checkbox"/> FUFF-ATS	Fuel filling anti-spillage device Fuel filling anti-theft and anti-spillage devices	<input type="checkbox"/> MIREC001 <input type="checkbox"/> MIREC003 <input type="checkbox"/> MIREC004 <input type="checkbox"/> PIREC001 <input type="checkbox"/> PIREC002	Michelin XFA2/X-LINE Energy - Fuel tyre Recommendation 1 Michelin X-LINE Energy - Fuel tyre Recommendation 3 Michelin X Line Energy F/D2 - Energy rating A Pirelli FH:01 Proway - Long Haul Tyre - Energy rating B Pirelli FH:01 II Long Haul Tyre - Energy rating B with wide single
<input checked="" type="checkbox"/> ESH-REAR <input type="checkbox"/> ESH-VERT	Horizontal silencer, rear exhaust outlet Horizontal silencer, vertical exhaust outlet	<input type="checkbox"/> JACK-12T	12 tonne bottle jack
<input type="checkbox"/> EXST-SSP <input type="checkbox"/> EXST-ST	Stainless steel exhaust stack - NOT polished Steel exhaust stack	<input checked="" type="checkbox"/> TOOL-BAS <input type="checkbox"/> TOOLKIT	Basic Toolkit Complete tool kit
<input type="checkbox"/> WHC-FOL2	Two foldable wheel chocks	<input type="checkbox"/> INFLAHOS	Tyre inflation hose
<input type="checkbox"/> WHCP-F <input type="checkbox"/> WHCP-T	Wheel chock(s) stored in the front part of the vehicle Transport mounted wheel chock(s) stored in cab outer luggage locker	<input type="checkbox"/> GAUGE-TP	Tyre pressure gauge
<input type="checkbox"/> CHAIN-S	Snow chains	DRIVELINE EQUIPMENT	
<input type="checkbox"/> HOOK-SC	Snow chain hooks	<input type="checkbox"/> TRAP-HD	Reinforced gearbox application
<input checked="" type="checkbox"/> TOWF-NO1 <input type="checkbox"/> TOWF-NO2	One front towing device Two front towing devices	<input type="checkbox"/> TP-CON <input type="checkbox"/> TP-DIST <input type="checkbox"/> TP-LONG	Construction Package Distribution Package Long Haul Package
<input checked="" type="checkbox"/> RFEC-B	Rear frame end, bent down - standard for tractor vehicles	<input type="checkbox"/> AMSO-AUT	Enhanced I-shift software with manual shift available in auto mode and kickdown facility on accelerator pedal
<input type="checkbox"/> TOWR-ONE	Towing hitch attached to rear crossmember	<input type="checkbox"/> AVO-ENH	Enhanced software for off road driveability and starting
<input type="checkbox"/> TREL15 <input type="checkbox"/> TREL7 <input checked="" type="checkbox"/> TREL7-7	Single 15 pole electrical trailer connector - ADR certified 7 pole - 24N trailer electrical suzie 24N and 24S trailer electrical suzies	<input type="checkbox"/> APF-ENH	I-shift enhanced PTO functions
<input type="checkbox"/> TBC-DUO <input type="checkbox"/> TBC-EC <input checked="" type="checkbox"/> TBC-GBR	Duomatic type air line connectors Palm coupling type air line connectors 'C' and 'CA' type air line connectors	<input type="checkbox"/> RET-TH <input type="checkbox"/> RET-TPT	Gearbox mounted retarder Hydraulic Retarder for Powertronic gearbox
<input type="checkbox"/> TRBR-HCF <input checked="" type="checkbox"/> TRBR-STA	Full pressure hand controlled trailer brake Stationary trailer brake control	<input type="checkbox"/> TC-HWO <input type="checkbox"/> TC-MAOH2	Automatic gearbox oil cooler - water to oil Extra high performance transmission oil cooler - air to oil with front mounted radiator
<input type="checkbox"/> TRB-STRE	Stretch Brake - Automatic low speed trailer brake activation to avoid jack-knifing and improve steerability	<input type="checkbox"/> TC-MWO	Basic transmission oil cooler - water to oil
<input checked="" type="checkbox"/> RFEND-B	Three piece EC approved rear mud wings and spray flaps	<input type="checkbox"/> 2COM1100 <input checked="" type="checkbox"/> 2COMP900	Two cylinder, air compressor, 1100 litres per minute Two cylinder, air compressor, 900 litres per minute
<input checked="" type="checkbox"/> RFH-BAS <input type="checkbox"/> RFH-HIG <input type="checkbox"/> RFH-LOW	Basic rear wing height High rear wing height - higher wing tops Lower rear wing height - shallower wing tops	<input type="checkbox"/> CLU-AIRC	Clutchable air compressor
<input type="checkbox"/> ATANK-AL <input checked="" type="checkbox"/> ATANK-ST	Aluminium air tanks Steel air tanks	<input checked="" type="checkbox"/> AIRIN-HI <input type="checkbox"/> AIRIN-LO	Roof mounted air intake behind cab on left hand side Low level air intake behind cab on left hand side
<input checked="" type="checkbox"/> TL-LED	Rear lights LED	<input type="checkbox"/> ACL1ST-S	Two stage air filter
<input type="checkbox"/> BLIGHT-E	Emergency brake light	<input checked="" type="checkbox"/> 24AL110B <input type="checkbox"/> 24AL120B <input type="checkbox"/> 24AL150B	110 amp alternator 120 amp alternator 150 amp alternator
WHEELS & TYRES		<input checked="" type="checkbox"/> CCV-C <input type="checkbox"/> CCV-OX	Closed crankcase engine ventilation Closed crankcase ventilation for cold markets
<input type="checkbox"/> RT-AL	Alcoa brushed aluminium rims with standard holes for long stud fixing on all axles	<input checked="" type="checkbox"/> PRIM-EL <input type="checkbox"/> PRIM-MAN	Electrical priming pump Manual priming pump
<input type="checkbox"/> RT-ALDP	Alcoa Dura-Bright EVO aluminium rims with standard holes long stud fixing on all axles, requires cleaning with a ph neutral solution - washing up liquid.	<input type="checkbox"/> AF-R	Hot fuel recirculation heated fuel filter
<input type="checkbox"/> RT-ALDPD	Alcoa Dura-Bright EVO aluminium rims with countersunk holes for short stud fixing on all axles, requires cleaning with a ph neutral solution - washing up liquid.	<input type="checkbox"/> FUEFE2LW <input checked="" type="checkbox"/> FUEFE2SW	Large engine mounted dual fuel filter with water separator Small engine mounted dual fuel filter with water separator
<input type="checkbox"/> RT-ALDU	Alcoa brushed aluminium rims with countersunk holes for short stud fixing on all axles	<input type="checkbox"/> EST-AID	Air inlet manifold starting heater element
<input checked="" type="checkbox"/> RT-STEEL	Steel rims on all axles	<input type="checkbox"/> 220EBH15	220V/1.5Kw electric engine block heater
<input type="checkbox"/> WCAP	Aerodynamic hub caps	<input type="checkbox"/> PTER-100	Rear engine mounted power-take-off with DIN 100 / ISO 7646 flange
<input type="checkbox"/> BRREC001	Bridgestone ECOPIA H - Energy rating C	<input type="checkbox"/> PTER-DIN	Rear engine mounted PTO with DIN5462 (female) splined shaft for a close coupled pump.
<input checked="" type="checkbox"/> Standard Equipment	<input type="checkbox"/> Optional Equipment		

For more detailed information about cab and powertrain equipment, please refer to separate specification sheets.

For all possible options and combinations of options please consult your Volvo sales contact who can create a specification to match your requirements using the Volvo Sales Support system (VSS).

The factory reserves the right to modify design and change equipment without previous notification. The specification can vary from country to country.

MODEL RANGE

FM 11 6x2 Tractor - Low - Lite Pusher - Rear Air Suspension FM 62 PT1LA

	Models with 3 steering axles will use this to drive the steering pump (AUXPSP)	15th June 2019. This tachograph can ONLY offer remote download if the option of Dynafleet or an FMS gateway has been specified with this order.
<input type="checkbox"/> PTER1400	Rear engine mounted power-take-off with SAE 1410 flange	
<input type="checkbox"/> HPE-F101	Parker F1-101, engine mounted, fixed displacement, single flow, engine mounted hydraulic pump	<input type="checkbox"/> ARSL Additional road speed limit - switch in dashboard
<input type="checkbox"/> HPE-F41	Parker F1-41, engine mounted, fixed displacement, single flow, engine mounted hydraulic pump	<input type="checkbox"/> CRUISE-E Eco cruise control (with eco-roll and I-cruise, controls in steering wheel)
<input type="checkbox"/> HPE-F51	Parker F1-51, engine mounted, fixed displacement, single flow, engine mounted hydraulic pump	<input checked="" type="checkbox"/> CRUISEC Cruise control, standard
<input type="checkbox"/> HPE-F61	Parker F1-61, engine mounted, fixed displacement, single flow, engine mounted hydraulic pump	<input checked="" type="checkbox"/> ESP-BAS1 Electronic Stability Control
<input type="checkbox"/> HPE-F81	Parker F1-81, engine mounted, fixed displacement, single flow, engine mounted hydraulic pump	<input type="checkbox"/> ESPC-RO ESP (Electronic Stability Program) functionality control - Reduced / Off
<input type="checkbox"/> HPE-T53	Parker F2-53/53, engine mounted, Fixed displacement, Twin flow engine mounted hydraulic pump	<input type="checkbox"/> HWSS-ACB Adaptive cruise control ACC with forward collision warning and AEBS advanced emergency brake system
<input type="checkbox"/> HPE-T70	Parker F2-70/35, engine mounted, Fixed displacement, Twin flow engine mounted hydraulic pump	<input checked="" type="checkbox"/> HWSS-FCB Forward collision warning with AEBS advanced emergency brake system
<input type="checkbox"/> HPE-V45	Parker VP1-45, variable displacement, single flow, engine mounted hydraulic pump	<input checked="" type="checkbox"/> LSS-DW Lane departure-warning system
<input type="checkbox"/> HPE-V75	Parker VP1-75, variable displacement, single flow, engine mounted hydraulic pump	<input type="checkbox"/> LCS Lane change support
<input type="checkbox"/> PTPT-D	Powertronic PTO, 1 front/upper DIN connection for plug-in pump (max. 850 Nm)	<input type="checkbox"/> DAS-W Driver Alert Support system
<input type="checkbox"/> PTPT-F	Powertronic PTO, 1 front/upper rear facing SAE flange conn. for prop shaft (max.850 Nm)	<input type="checkbox"/> RSENS-W Rain sensing windscreen wipers
<input type="checkbox"/> PTR-D	Gearbox PTO for plug-in pump, 0.71xeng speed	<input type="checkbox"/> CU-ECC Electrically controlled air conditioning with sun sensor
<input type="checkbox"/> PTR-DH	Gearbox driven high speed PTO for one plug-in hydraulic pump	<input type="checkbox"/> CU-ECC2 Electrically controlled air conditioning with sun sensor, mist sensor, air quality sensor and carbon filter
<input type="checkbox"/> PTR-DM	Gearbox driven medium speed PTO for one plug-in hydraulic pump	<input checked="" type="checkbox"/> CU-MCC Climate unit with manual controlled air conditioning
<input type="checkbox"/> PTR-F	Gearbox driven PTO with rear flange connection	<input checked="" type="checkbox"/> IMMOBIL Thatcham H2 approved immobiliser
<input type="checkbox"/> PTR-FH	Gearbox driven high speed PTO with SAE drive flange	<input type="checkbox"/> ALARM-B Thatcham H1 approved vehicle alarm - Cab only
<input type="checkbox"/> PTR-FL	Gearbox driven low speed PTO with SAE drive flange	<input type="checkbox"/> ALARM-E Enhanced vehicle alarm - Thatcham H1 approved - Cab plus external sensor for body/trailer
<input type="checkbox"/> PTRD-D	Gearbox driven HIGH SPEED PTO for two plug-in hydraulic pumps	<input type="checkbox"/> ALCOLOCK Alcolock
<input type="checkbox"/> PTRD-D1	PTRD-D1 Gearbox driven HIGH SPEED PTO (1 SAE flange & 1 plug-in hydraulic pump)	<input type="checkbox"/> BUPMON Back up monitor with built in 7" screen on dash and one colour camera supplied loose for fitment by bodybuilder. Can accommodate up to 4 cameras for TfL Safe Scheme, CLOCS and FORS.
<input type="checkbox"/> PTRD-D2	Gearbox driven HIGH SPEED PTO (2 SAE flanges & 1 plug-in hyd pump)	<input type="checkbox"/> PHONE-PK Telephone preparation kit (antenna, antenna attachm. cable incl.)
<input type="checkbox"/> PTRD-F	PTO with 1 DIN + 1 flange connection rear, manual gearbox	<input type="checkbox"/> WLIFT-AD Electrical window lift, automatic up/down driver side
<input type="checkbox"/> HPG-F101	Parker F1-101 gearbox mounted, fixed displacement, single flow, hydraulic pump	<input checked="" type="checkbox"/> WLIFT-EB Electrical window lift
<input type="checkbox"/> HPG-F41	Parker F1-41 gearbox mounted, fixed displacement, single flow, hydraulic pump	<input type="checkbox"/> WLIFT-ME Mechanical window lift
<input type="checkbox"/> HPG-F51	Parker F1-51 gearbox mounted, fixed displacement, single flow, hydraulic pump	<input type="checkbox"/> ISUNS-BS Side interior sun visor on both sides
<input type="checkbox"/> HPG-F61	Parker F1-61 gearbox mounted, fixed displacement, single flow, hydraulic pump	<input checked="" type="checkbox"/> ISUNS-DS Driver's side interior sun visor
<input type="checkbox"/> HPG-F81	Parker F1-81 gearbox mounted, fixed displacement, single flow, hydraulic pump	<input checked="" type="checkbox"/> ISUNF-B Interior front sun visor without mirror
<input type="checkbox"/> EIDLESD	Engine idle shut down	<input type="checkbox"/> ISUNF-MD Interior front sun visor with mirror on driver side
<input type="checkbox"/> DTRI-PER	Dashboard in darker peregrine greyish brown. Steering wheel grey and door panels in light beige for FH and black for FH16.	<input type="checkbox"/> ISUNF-RE Electrically operated textile interior sun blind
<input checked="" type="checkbox"/> STWPOS-R	RIGHT HAND DRIVE	<input type="checkbox"/> ISUNF-RM Manually operated textile interior sun blind
<input type="checkbox"/> STWM-LE	Leather steering wheel	<input type="checkbox"/> ADFS Two extra DIN slots in front shelf - can be fitted with card or drawer available as an accessory
<input type="checkbox"/> STGW-AD2	Adjustable steering wheel with neck tilt	<input checked="" type="checkbox"/> BUPALARM Reverse alarm
<input checked="" type="checkbox"/> STGW-ADJ	Adjustable steering wheel	<input type="checkbox"/> RTOLL-PK Road toll PREPARATION kit for trucks operating with "Toll Collect" in Germany
<input checked="" type="checkbox"/> AIRBAG	SRS Driver's air bag	<input type="checkbox"/> LOADIND Load indicator with central dashboard display
<input checked="" type="checkbox"/> DRC-AMII	DPF Regeneration control switch - for manual and switching off regeneration	<input type="checkbox"/> REMC-MF Multi-functio wireless remote control
<input checked="" type="checkbox"/> 1DAYDIG2	Continental VDO DTCO 4.0 smart tachograph This tachograph can ONLY offer remote download if the option of Dynafleet or an FMS gateway has been specified with this order.	<input type="checkbox"/> FIREXT3S 3kg fire extinguisher mounted on seat base
<input type="checkbox"/> 1DAYDIGP	Continental VDO DTCO 3.0 digital tachograph For vehicles with long lead time - this includes prep kit for the retrofit of DTCO 4.0 tachograph. For updating to new legal demand for trick registration from	<input type="checkbox"/> WARNVEST High visibility warning vest - no sleeves
		<input type="checkbox"/> AIDKIT First aid kit
		<input type="checkbox"/> AIDKIT1B First aid kit
		<input type="checkbox"/> WARNLAMP Portable warning lamp
		<input type="checkbox"/> LAMP-IN Inspection lamp
		<input type="checkbox"/> BULBKIT Bulb and fuse kit
<input checked="" type="checkbox"/> Standard Equipment	<input type="checkbox"/> Optional Equipment	

For more detailed information about cab and powertrain equipment, please refer to separate specification sheets.

For all possible options and combinations of options please consult your Volvo sales contact who can create a specification to match your requirements using the Volvo Sales Support system (VSS).

The factory reserves the right to modify design and change equipment without previous notification. The specification can vary from country to country.

MODEL RANGE

FM 11 6x2 Tractor - Low - Lite Pusher - Rear Air Suspension FM 62 PT1LA

- WRITEPAD** Writing pad
- UPHTRI10** Seats: Black embossed textile insert with light grey sides, black vinyl side bolster with blue vinyl side insert.
Interior trim: Raven black bunk and curtains & blue textile side walls
- UPHTRI11** Seats: Light grey embossed textile insert, black raven metallic vinyl bolster with red vinyl side insert.
Interior trim: Raven black bunk and curtains & grey vinyl side walls
- UPHTRI12** Seats: Blue soft textile insert, black vinyl bolster.
Interior trim: Raven black bunk and curtains & blue textile side walls
- UPHTRI13** Seats: Dark grey leather insert and black leather bolster.
Interior trim: Raven black bunk and curtains & grey vinyl side walls
- UPHTRI14** Seat: Dark grey leather insert and black leather bolster.
Interior trim: Raven black bunk and curtains & blue textile side walls
- **DST-CF4** Driver seat, comfort, suspended, belt in seat
- DST-CF5** Driver seat, comfort, suspended, belt in seat, electrically heated
- DST-CF6** Driver seat, comfort, suspended, belt in seat, electrically heated, ventilated
- SBD-RED** Red seat belts
- SBPRE-DS** Driver seat belt pretensioner
- **PST-BAS1** Passenger seat - Fixed non suspended fold up with seatbelt mounted in cab
- PST-BENC** Bench passenger seat
- PST-CF4** Passenger seat - Comfort suspended with seatbelt mounted in seat
- PST-CF5** Passenger seat - Comfort suspended & heated with seatbelt mounted in seat
- PST-STD2** Passenger seat - Fixed non suspended with seatbelt mounted in cab
- PST-STD4** Passenger seat - Standard suspended with seatbelt mounted in cab
- SBPRE-PS** Passenger seat belt pretensioner
- ARM-DBPS** Two armrests on driver seat and one (outer) on passenger seat
- ARMRE-BB** Two armrests on both driver and passenger seat.
- ARMRE-DB** Two armrests, on driver seat only
- ARMRE-PB** Two armrests, on passenger seat only
- ARMRE-PS** Single armrest (next to driver) on passenger seat
- ARU-BAS** Vinyl upholstered armrest
- ARU-LEA** Leather upholstered armrest
- **FMAT-RUB** Rubber floor mats
- FMAT-TX2** Textile and rubber floor mats
- LBK-RES** Foldable rest bunk
- **LBK70** Lower bunk 700 x2000 mm, fixed
- ULBK** Without lower bunk
- MATL-FI** Firm lower bunk pocket sprung mattress
- **MATL-SF** Lower flexizone mattress - semi-firm, pocket springs up to 100kg - 16 stone
- MATL-SO** Lower flexizone mattress - soft, pocket springs up to 85kg - 13.5 stone
- OLMAT-BA** 35mm mattress overlay protector
- OLMAT-PR** 50mm premium mattress overlay protector
- TBK60F** Fixed foldable top bunk 600 x 1900mm
- TBK70F** Fixed foldable top bunk 700 x 1900mm
- PH-CAB2** 1.8kW Air to air night heater
- PH-ENGCA** Engine and cab night heater
- PH-SS** Short stop heater
- SLCP-BAS** Basic sleeper control panel - includes interior light, parking heater, roof hatch and door lock
- SAFE** Safe box for driver's personal items
- ETSB-F** Storage on engine tunnel - on front top
- ETSB-FR** Storage on engine tunnel - on front top and at rear cab wall
- ETSB-FRS** Storage on engine tunnel - on front top & at rear cab wall & storage recessed into tunnel on right hand side
- ETSB-FS** Storage on engine tunnel - on front top and storage recessed into tunnel on right hand side
- ETSB-R** Storage on engine tunnel - box at rear cab wall
- ETSB-RS** Storage on engine tunnel - at rear cab wall and storage recessed into tunnel on right hand side
- ETSB-S** Storage on engine tunnel - recessed into tunnel on right hand side
- RUS-BAS** Rear cab upper storage 154 litres - 300 mm high
- RUS-HIG** Rear cab upper storage 245 litres - 440 mm high
- TABLE** Folding and height adjustable table - on lower bunk
- REF-ICPK** Fridge: engine tunnel mounted preparation kit
- REFR-RUS** Fridge: 28 litre rear upper wall mounted with dividers
- MICRO-PK** Preparation kit for microwave oven (wiring)
- BOTH-D** One bottle holder under dashboard centre section
- COFMA-PK** Coffee maker, preparation kit.
- **INLI-BAS** Interior white LED lights - basic
- INLI-NL** Interior white and red night LED light with no dimmer
- INLI-NLD** Interior white and red night LED light with dimmer
- ARL-FLEX** Two flexible reading lamps (snake lamps)
- RH-ECS** Glass roof & escape hatch - Electrically operated
- RH-EE** Without roof hatch -Tinted glass emergency exit ONLY
- RH-ETR** Glass roof & escape hatch - Electrically operated, tinted glass with rear opening
- RH-MSR** Steel roof & escape hatch - Manually operated with rear opening
- RH-MTR** Glass roof & escape hatch - Manually operated, tinted glass with rear opening
- **URH** Without roof hatch
- SWIND-BS** Extra side window on both sides behind "B" pillar
- SWIND-PS** Rear side window, passenger side
- VANMIR** Vanity mirror in front shelf
- AS-FUS** Extra shelf in front upper storage compartments
- INFOT-PK** Preparation kit for the mounting of a flat screen TV in cab above the driver's door, includes bracket, electrical and speaker connections

CAB EXTERIOR

- PAICS-B** Basic cab paint - mirrors, sunvisor, instep and bumper supplied in natural finish - grey
- PAICS-C** Complete cab - mirrors, insteps, sunvisor, and bumper finished in cab colour
- **GLAS-TIN** Tinted windows.
- AWIND-RF** Rear window
- DGLAS-L** Laminated door glass
- **LOCK-MAN** Manual door locking
- LOCK-MRP** Manual door locking with internal remote control (from driver side) of passenger door
- LOCK-REM** Central locking with remote control
- **BUMP-B** Plastic front bumper
- BUMP-B2** Steel front bumper
- **BUGNET** Insect screen in front of radiator
- CTILT-P-E** Electrically operated hydraulic cab tilt
- **CTILT-P-M** Manually operated hydraulic cab tilt
- FCABS-A** Front cab suspension - Air
- **FCABS-M** Front cab suspension - Mechanical spring
- RCABS-A** Rear cab suspension - Air
- **RCABS-M** Rear cab suspension - Mechanical spring
- MIRCOMF2** Electrically heated and operated FMX style main and wide-angle mirror on both sides, with manual passenger kerb mirror.

■ Standard Equipment

Optional Equipment

For more detailed information about cab and powertrain equipment, please refer to separate specification sheets.

For all possible options and combinations of options please consult your Volvo sales contact who can create a specification to match your requirements using the Volvo Sales Support system (VSS).

The factory reserves the right to modify design and change equipment without previous notification. The specification can vary from country to country.

MODEL RANGE

FM 11 6x2 Tractor - Low - Lite Pusher - Rear Air Suspension FM 62 PT1LA

- To increase direct vision to the side the main mirrors have no cowlings
- MIRCOMFM** Electrically heated and operated main with manual wide-angle mirror - both sides - and passenger kerb mirror
 - MIRSTD2** Electrically heated - FMX - main with wide angle mirror on both sides and kerb view mirror on passenger side, to increase direct vision to the side the main mirrors have no cowlings
 - MIRSTDFM** Electrically heated main mirror with wide angle mirror on both sides and kerb view mirror on passenger side
 - AMIR-F20** Auxiliary front view mirror with a 200mm radius
 - SUNV-H** External smoke grey sunvisor
 - AD-ROOF** Roof air deflector
 - AD-SIDEL** Side air deflector extension panels
 - AD-SIDES** Short cab side air deflector for rigid bodywork
 - HL-BASIC** Halogen H7 head lamps
 - HL-BHID** High intensity Bi-Xenon head lamps
 - HL-DBL** Bi-Xenon high intensity discharge and dynamic head lamps. Dipped beam follows the road, activated by a signal from the steering system.
 - HL-CLEAN** Head lamp cleaner - washer jets
 - HLP-ST** Headlamp protection
 - HL-ADJ** Headlight adjustment - Switch in cab
 - DRIVL2** Two spot lamps
 - UDRIVL** Without auxiliary driving lights
 - FOGL-WC** Front fog lights
 - CL-STAT** Static corner lights
 - ASL-RF2** Two Hella H11 70W spotlamps in sign box - only available with the basic headlight and no lower driving lights. Preparation kit for two spotlamps in sign box
 - ASL-RFPK** Two front roof mounted amber beacon rotating warning lamps
 - BEACOA2F** Two rear roof mounted (on accessory bracket) amber beacon flashing warning LED lamps
 - BEACOA2R** Two rear roof mounted (on accessory bracket) amber beacon flashing warning LED lamps
 - BEACON-P** Roof beacon wire preparation
 - BEACONA4** Four roof mounted (2 front/2 rear) amber beacon rotating warning lamps
 - CABPT-R1** Single outlet for roof mounted accessories
 - CABPT-R2** Twin outlets for roof mounted accessories.
 - SPOTP-F** Spotlamp preparation in front, max 280W
 - SPOTP-R** Spotlamp preparation on roof, max 280W
 - SPOTP-RF** Spotlamp preparation on cab roof and in cab front, max 2x280W
 - ROS-IL2** Preparation kit for illuminated roof sign with switch loose in cab, fit after registration
 - CSGN-GTR** "Globetrotter" headboard logo
 - HORN-F1S** Single tone Jericho air horn chassis mounted
 - HORN-R2S** Two roof mounted air horns
 - ANT-CBR** Roof mounted antenna for CB radio, single aerial
 - ACCBP-AP** Front, middle & rear roof mounted accessory brackets
 - ACCBP-F** Front roof mounted accessory bracket
 - ACCBP-FM** Front & middle roof mounted accessory brackets
 - ACCBP-FR** Front & rear roof mounted accessory brackets
 - ACCBP-M** Middle roof mounted accessory bracket
 - ACCBP-R** Rear roof mounted accessory bracket
 - ACCBP-RM** Rear & middle roof mounted accessory brackets
 - RFCAR-BC** Rear mudwing carrier, back of cab
 - LADDER** Ladder back of cab
 - REFS-TW** White cab conspicuity markings by packed in cab
 - REFS-TY** Yellow cab conspicuity markings by packed in cab
- SUPERSTRUCTURE PREPARATIONS**
- 5WM-ISOL** 5th wheel subframe 16mm high above chassis frame
 - 5WM-ISOM** 5th wheel subframe 60mm high above chassis frame
- 5WM-LPRO** L profiles 50mm with 10mm thick plate
 - 5WM-MASM** 5th wheel attached direct to frame with inverted 'L'-profiles 50mm high 'L' profiles for manual sliding fifth wheel
 - 5WH150** Fifth wheel leg-height 150 mm
 - 5WH160** Fifth wheel leg-height 160 mm
 - 5WH175** Fifth wheel leg height 175mm
 - 5WH185** Fifth wheel leg-height 185 mm
 - 5WH195** Fifth wheel leg-height 195mm
 - 5WH200** Fifth wheel leg-height 200 mm
 - 5WH205** Fifth wheel leg-height 205 mm
 - 5WH210** Fifth wheel leg-height 210 mm
 - 5WH220** Fifth wheel leg-height 220mm
 - 5WH230** Fifth wheel leg-height 230 mm
 - 5WT-FO14** Fontaine 150SP2 pressed steel fifth wheel
 - 5WT-FO15** Fontaine 3000 lightweight cast fifth wheel with 150SF air operated slider - for moderate duty off road. Specified fifth wheel position always gives rearmost position.
 - 5WT-JO10** Jost JSK 36 pressed fifth wheel
 - 5WT-JO8** Jost JSK 37 cast fifth wheel
 - 5WT-JO9** Jost JSK 42 cast fixed fifth wheel
 - 5WT-SH** SAF-Holland/+GF+ SK-S 36.20 cast fixed fifth wheel
 - 5WLM-B** Basic fifth wheel maintenance standard top plate
 - 5WLM-L** Low maintenance fifthwheel with nylon top plate
 - 5WL-S1** Fifth wheel lubrication - locking mechanism and top plate
 - 5WL-S2** Fifth wheel lubrication - locking mechanism
 - TCIND** Trailer connection indication with sensors for height, kingpin and coupling lock
 - RDECK** Catwalk & step
 - RDECK-M** Rear catwalk 760mm
 - SRWL-PK** Wiring preparation for side & rear work/reverse lamps on side of chassis and a three-position switch, maximum 280W
 - SWL-2RA** Two H3 35W amber rear chassis mounted (LH/RH side) working lamps and a 2-position switch (On/Off)
 - SWL-2RW** Two H3 70W white rear chassis mounted (LH/RH side) working lamps and a 2-position switch (On/Off)
 - SWL-PK** Wiring preparation for side work/reverse lamps on side of chassis and a three-position switch, maximum 280W
 - WL-TA1W** White coupling light
 - WLC-H2A** Two H3/70W working lamps with amber coloured lens high mounted back of cab
 - WLC-H2W** Two H3/70W white working lamps high mounted on the back of cab
 - WLC-PKH** Preparation kit, cables and switch for high mounted working lamps back of cab
 - WLC-PKL** Preparation kit, cables and switch for low mounted working lamps back of cab
 - WLC-PKLH** Preparation kit - cables and switch for low and high mounted working lamps back of cab.
 - ECBB-BAS** Body builder electrical centre without body builder module
 - ECBB-HIG** Body builder electrical centre with body builder module
 - BBCHAS1** One 7-pole connector for Body builder interface
 - BBCHAS3** Three 7-pole connectors for Body builder interface
 - BEPR-T2** Body builder electrical software preparation for tipper with remote control
 - EXSTER** External steering control, with VDS and bodybuilder module
 - TD-BAS** Trailer detection WITHOUT LED sensing
 - TD-LED** Trailer detection with LED sensing
 - AUXL-SPK** Electrical preparation kit - wiring and switch for snow plough lights
 - TAILPRE2** Tail lift preparation kit, wireless remote operation
 - TAILPREP** Taillift preparation kit - cab switch and warning in driver display
 - AESW2** Two Body builder bistable electrical switches (marked AUX1 / AUX2)
 - AESW2PK** 2 Body builder bistable el.switches (marked AUX1/AUX2) and prep. for 4 more switches

■ Standard Equipment

□ Optional Equipment

For more detailed information about cab and powertrain equipment, please refer to separate specification sheets.

For all possible options and combinations of options please consult your Volvo sales contact who can create a specification to match your requirements using the Volvo Sales Support system (VSS).

The factory reserves the right to modify design and change equipment without previous notification. The specification can vary from country to country.

MODEL RANGE

FM 11 6x2 Tractor - Low - Lite Pusher - Rear Air Suspension FM 62 PT1LA

- **AUXSW-4** Wiring for 4 extra switches (from Body builder electrical centre to switch positions)

DELIVERY SERVICES

- **TGW-4GWL** GSM/GPRS/4G modem, LTE & WLAN for telematics gateway
- **FMS-PK** Fleet Management System gateway

VOLVO

Volvo Truck Corporation
volvotrucks.com