

FB Series

Electric Counterbalance • 4 Wheel Pneumatic Tyres
80 Volt AC Power • **4.0 – 5.0 tonnes**

FB40C 2
FB40 2
FB45C 2
FB45 2
FB50 2
FB40S 2
FB50S 2

High power performance... low energy use

Reducing your energy bills should not limit your performance. FB Series forklifts are optimised to maximise your operating efficiency – consuming up to 25% less energy. Our **Ecologic (ECO)** models are configured to work naturally and efficiently in any environment, while **Progressive (PRO)** models take your performance to the next level with higher travel and lifting speeds.

A forklift truck can only be as efficient as its operator, so we've incorporated a host of features to maximise your operator's potential. From 'set-it-and-forget-it' performance adjustment systems to spacious, adaptable compartments, we have focused on increasing power, comfort and safety, so your operators can focus on the task in hand.

Frame and body

- **Robust frame** offers exceptional durability in all working conditions.
- **High-mounted steer axle design** and low centre of gravity ensures high stability.
- **Exceptional visibility** through clear-view overhead guard and mast ensures precise handling with total confidence.

Drive

- **Choice of control systems (ECO and PRO)** tailors the truck's performance profile to your precise needs.
- **Ecologic (ECO) drive** maximises energy efficiency and peak performance in typical applications.
- **Progressive (PRO) models** deliver higher travel and lift speeds for intensive applications.
- **Cornering control** optimises speed on curves – further increasing stability.



FB Series

Electric Counterbalance • 4 Wheel Pneumatic Tyres

80 Volt AC Power • 4.0 – 5.0 tonnes

Characteristics						
1.1	Manufacturer (abbreviation)			Mitsubishi	Mitsubishi	Mitsubishi
1.2	Manufacturer's model designation			FB40C 2	FB40 2	FB45C 2
1.3	Power source: (battery, diesel, LP gas, petrol)			Electric	Electric	Electric
1.4	Operator type: pedestrian, (operator)-standing, -seated			Seated	Seated	Seated
1.5	Load capacity	Q	(kg)	4,000	4,000	4,500
1.6	Load centre distance	c	(mm)	500	500	500
1.8	Load distance, axle to fork face	x	(mm)	510'	510'	510'
1.9	Wheelbase	y	(mm)	1856	2000	1856
Weight						
2.1	Truck weight, without load / including battery (simplex mast, lowest lift height)		kg	6726	6701	7186
2.2	Axle loading with maximum load, front/rear (simplex mast, lowest lift height)		kg	9730 / 996	9726 / 975	10608 / 1078
2.3	Axle loading without load, front/rear (simplex mast, lowest lift height)		kg	3553 / 3173	3706 / 2995	3659 / 3527
Wheels, Drive Train						
3.1	Tyres: V=solid, L=pneumatic, SE=solid pneumatic - front/rear			SE / SE	SE / SE	SE / SE
3.2	Tyre dimensions, front			250-15	250-15	28×12.5-15
3.3	Tyre dimensions, rear			21×8-9	21×8-9	21×8-9
3.5	Number of wheels, front/rear (x=driven)			2x/2	2x/2	2x/2
3.6	Track width (centre of tyres), front	b10	(mm)	1115	1115	1155
3.7	Track width (centre of tyres), rear	b11	(mm)	950	950	950
Dimensions						
4.1	Mast tilt, forwards/backwards	α/β	°	6/8	6/8	6/8
4.2	Height with mast lowered (see tables)	h1	(mm)	2300	2300	2286
4.3	Free lift (see tables)	h2	(mm)	150	150	150
4.4	Lift height (see tables)	h3	(mm)	3000	3000	3000
4.5	Overall height with mast raised	h4	(mm)	3676	3676	3660
4.7	Height to top of overhead guard	h6	(mm)	2365	2365	2350
4.8	Seat height	h7	(mm)	1313	1313	1303
4.12	Tow coupling height	h10	(mm)	396	396	396
4.12.1	2nd tow coupling height		(mm)	566	566	566
4.19	Overall length	l1	(mm)	3818	3952	3818
4.20	Length to fork face (includes fork thickness)	l2	(mm)	2668	2812	2668
4.21	Overall width	b1/b2	(mm)	1340	1340	1450
4.22	Fork dimensions (thickness, width, length)	s / e / l	(mm)	50×125×1150	50×125×1150	50×150×1150
4.23	Fork carriage to DIN 15 173 A/B/no			3A	3A	3A
4.24	Fork carriage width	b3	(mm)	1260	1260	1260
4.31	Ground clearance under mast, with load	m1	(mm)	136	136	122
4.32	Ground clearance at centre of wheelbase, with load (forks lowered)	m2	(mm)	150	150	140
4.33	Working aisle width with 1000 × 1200 mm pallets, crosswise	Ast	(mm)	3965	4160	3965
4.34	Working aisle width with 800 × 1200 mm pallets, crosswise	Ast	(mm)	4165	4360	4165
4.35	Turning circle radius	Wa	(mm)	2284	2450	2284
4.36	Minimum distance between centres of rotation	b13	(mm)	660	721	660
Performance						
5.01a	Travel speed, with/without load, eco mode		km/h	14 / 16	14 / 16	14 / 15.5
5.01b	Travel speed, with/without load, pro mode		km/h	15 / 17	15 / 17	15 / 16.5
5.02a	Lifting speed, with/without load, eco mode		m/s	0.31 / 0.43	0.31 / 0.43	0.30 / 0.41
5.02b	Lifting speed, with/without load, pro mode		m/s	0.35 / 0.5	0.35 / 0.5	0.33 / 0.45
5.03a	Lowering speed, with/without load, eco mode		m/s	0.54 / 0.46	0.54 / 0.46	0.52 / 0.47
5.03b	Lowering speed, with/without load, pro mode		m/s	0.55 / 0.5	0.55 / 0.5	0.55 / 0.5
5.05a	Rated drawbar pull, with/without load, eco mode		N	5100 / 5600	5100 / 5600	4900 / 5500
5.05b	Rated drawbar pull, with/without load, pro mode		N	5100 / 5600	5100 / 5600	4900 / 5500
5.06a	Maximum drawbar pull, with/without load (5 min short duty), eco mode		N	14600 / 14900	14600 / 14900	14500 / 14800
5.06b	Maximum drawbar pull, with/without load (5 min short duty), pro mode		N	14600 / 14900	14600 / 14900	14500 / 14800
5.07a	Gradeability, with/without load, eco mode		%	9.3 / 15.4	9.3 / 15.4	8.1 / 13.5
5.07b	Gradeability, with/without load, pro mode		%	10.8 / 17.7	10.8 / 17.7	9.4 / 15.8
5.08a	Maximum gradeability, with/without load, eco mode		%	14.1 / 22.3	14.1 / 22.3	12.5 / 20.4
5.08b	Maximum gradeability, with/without load, pro mode		%	15.4 / 26.1	15.4 / 26.1	13.7 / 23.9
5.09a	Acceleration time (10 metres) with/without load, eco mode		s	5/2 / 4.4	5.2 / 4.4	5.7 / 4.8
5.09b	Acceleration time (10 metres) with/without load, pro mode		s	5 / 4.4	5 / 4.4	5.5 / 4.8
5.10	Service brakes (mechanical/hydraulic/electric/pneumatic)			Electrical	Electrical	Electrical
Electric motors						
6.1	Drive motor capacity (60 min. short duty)		kW	14.5 / 18.0	14.5 / 18.0	14.5 / 18.0
6.2	Lift motor output at 15% duty factor		kW	20 / 24	20 / 24	20 / 24
6.3	Battery to DIN 43 531/35/36 A/B/C/no			A 43536	A 43536	A 43536
6.4	Battery voltage/capacity at 5-hour discharge		V /Ah	80 / 775	80 / 930	80 / 775
6.5	Battery weight		kg	1863	2178	1863
6.6	Energy consumption according to VDI 60 cycle		kWh/h	11	11	12.1
Miscellaneous						
8.1	Type of drive control			Impuls / AC	Impuls / AC	Impuls / AC
8.2	Maximum operating pressure for attachments		bar	200	200	200
8.3	Oil flow for attachments		l/min	30	30	30
8.4	Noise level, value at operator's ear (EN 12053)		dB(A)	<70	<70	<70
8.5	Towing coupling design / DIN type, ref.			15170 / H	15170 / H	15170 / H

	Mitsubishi	Mitsubishi	Mitsubishi	Mitsubishi
	FB45 2	FB50 2	FB40S 2	FB50S 2
	Electric	Electric	Electric	Electric
	Seated	Seated	Seated	Seated
	4500	4990	4000	5000
	500	500	600	600
	510'	510'	510'	510'
	2000	2000	2080	2080
	7161	7549	7176	8036
	10549 / 1112	11282 / 1257	10025 / 1151	11677 / 1359
	3777 / 3385	3772 / 3777	3891 / 3285	3932 / 4104
	SE / SE	SE / SE	SE / SE	SE / SE
	28 × 12.5-15	28 × 12.5-15	28 × 12.5-15	28 × 12.5-15
	21 × 8-9	21 × 8-9	23 × 10-12	23 × 10-12
	2x/2	2x/2	2x/2	2x/2
	1155	1155	1155	1155
	950	950	1200	1200
	6/8	6/8	6/8	6/8
	2286	2286	2286	2287
	150	150	150	150
	3000	3000	3000	3000
	3660	3810	3810	3810
	2350	2350	2350	2350
	1303	1303	1303	1303
	396	396	396	396
	566	566	566	566
	3962	3952	4102	4102
	2812	2812	2952	2952
	1450	1450	1450	1450
	50×150×1150	50×150×1150	50×150×1150	60×150×1150
	3A	3A	3A	4A
	1260	1260	1260	1260
	122	122	122	122
	140	140	150	150
	4160	4160	4379	4379
	4360	4360	4579	4579
	2450	2450	2637	2637
	721	721	673	673
	14 / 15.5	14 / 15	14 / 15.5	13.5 / 14.5
	15 / 16.5	15 / 16	15 / 16.5	14.5 / 15.5
	0.30 / 0.41	0.28 / 0.41	0.30 / 0.41	0.27 / 0.40
	0.33 / 0.45	0.33 / 0.45	0.33 / 0.45	0.31 / 0.45
	0.52 / 0.47	0.52 / 0.47	0.52 / 0.47	0.51 / 0.5
	0.55 / 0.5	0.55 / 0.5	0.55 / 0.5	0.55 / 0.5
	4900 / 5500	4800 / 5400	4900 / 5500	4700 / 5300
	4900 / 5500	4800 / 5400	4900 / 5500	4700 / 5300
	14500 / 14800	14400 / 14700	14500 / 14800	14400 / 14700
	14500 / 14800	14400 / 14700	14500 / 14800	14400 / 14700
	8.1 / 13.5	7.5 / 13.5	8.1 / 13.5	7.1 / 12.7
	9.4 / 15.8	8.8 / 15.8	9.4 / 15.8	8.4 / 15
	12.5 / 20.4	12.1 / 20.0	12.5 / 20.4	11.4 / 18.9
	13.7 / 23.9	13.2 / 23.4	13.7 / 23.4	12.5 / 22.2
	5.7 / 4.8	6.0 / 5.2	5.7 / 4.8	6.4 / 5.5
	5.5 / 4.8	5.8 / 5.2	5.5 / 4.8	6.1 / 5.5
	Electrical	Electrical	Electrical	Electrical
	14.5 / 18.0	14.5 / 18.0	14.5 / 18.0	14.5 / 18.0
	20 / 24	20 / 24	20 / 24	20 / 24
	A 43536	A 43536	A 43536	A 43536
	80 / 930	80 / 930	80 / 930	80 / 930
	2178	2178	2178	2178
	12.1	<12.5	<12.5	13.15
	Impuls / AC	Impuls / AC	Impuls / AC	Impuls / AC
	200	200	200	200
	30	30	30	30
	<70	<70	<70	<70
	15170 / H	15170 / H	15170 / H	15170 / H



Easy on-off access



Fully adjustable steering column



Clear-view overhead guard

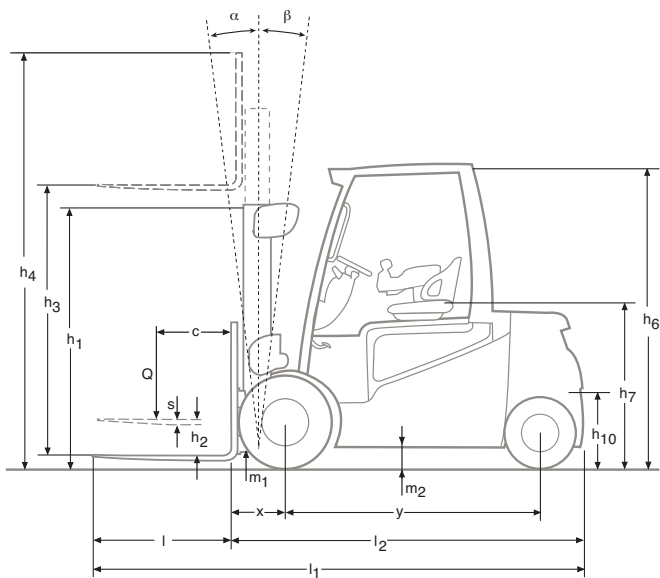


Wide range of optional configurations

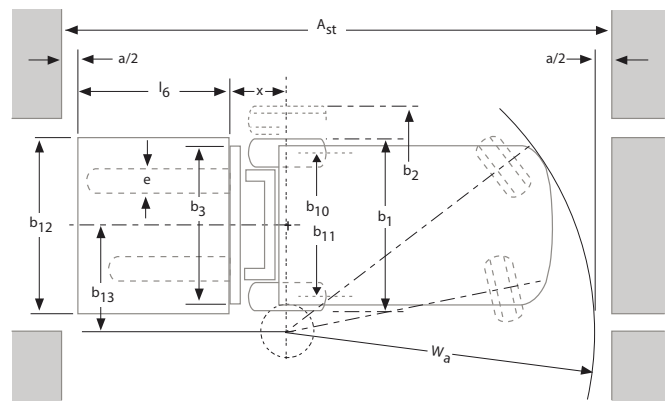
Mast Performance and Capacity

Mast type											Capacity chart (kg)				
	h3 (mm)	h1 (mm)		h2/h5 (mm)			h4 (mm)				Q @ c = 500mm			Q @ c = 600mm	
		FB40C2 FB402 FB45C2 FB452 FB502 FB40S2	FB50S2	FB40C2 FB402 FB45C2 FB452	FB502 FB40S2	FB50S2	FB40C2 FB402	FB45C2 FB452	FB502 FB40S2	FB50S2	FB40C2 FB402	FB45C2 FB452	FB502	FB40S2	FB50S2
Simplex	2750	2125	2125	150	150	150	3425	3410	3560	3575	4000	4500	4990	4000	5000
	3000	2250	2250	150	150	150	3675	3660	3810	3825	4000	4500	4990	4000	5000
	3500	2500	2500	150	150	150	4175	4160	4310	4325	4000	4500	4990	4000	5000
	4000	2750	2750	150	150	150	4675	4660	4810	4825	4000	4500	4990	4000	5000
	4500	3000	3000	150	150	150	5175	5160	5310	5325	4000	4500	4990	4000	5000
	5000	3250	3250	150	150	150	5675	5660	5810	5825	4000	4500	4900	4000	5000
	5500	3500	3500	150	150	150	6175	6160	6310	6325	3850	4100	4800	3850	—
	6000	3750	3750	150	150	150	6675	6660	6810	6825	3700	—	4600	3700	—
6500	4000	4000	150	150	150	7175	7160	7310	7325	—	—	—	—	—	
Duplex	—	—	2100	—	—	1225	—	—	—	3600	—	—	—	—	5000
	2775	2100	—	1380	1230	—	3495	3480	3630	—	4000	4500	4990	4000	—
	—	—	2225	—	—	1350	—	—	—	3845	—	—	—	—	5000
	3025	2225	—	1505	1355	—	3745	3730	3880	—	4000	4500	4990	4000	—
	—	—	2475	—	—	1600	—	—	—	4345	—	—	—	—	5000
	3525	2475	—	1755	1605	—	4245	4230	4380	—	4000	4500	4990	4000	—
	—	—	2725	—	—	1850	—	—	—	4845	—	—	—	—	5000
	4025	2725	—	2005	1855	—	4745	4730	4880	—	4000	4500	4990	4000	—
	—	—	2975	—	—	2100	—	—	—	5345	—	—	—	—	5000
	4525	2975	—	2255	2105	—	5245	5230	5380	—	4000	4500	4990	4000	—
	—	—	3225	—	—	2350	—	—	—	5845	—	—	—	—	5000
	5025	3225	—	2505	2355	—	5745	5730	5880	—	—	—	—	—	—
—	—	3475	—	—	2600	—	—	—	6345	—	—	—	—	—	
5525	3475	—	2755	2605	—	6245	6230	6380	—	—	—	—	—	—	
Triplex	—	—	2060	—	—	1185	—	—	—	4805	—	—	—	—	5000
	—	—	2100	—	—	1225	—	—	—	4925	—	—	—	—	5000
	4150	2100	—	1380	1230	—	4870	4855	5005	—	4000	4500	4990	4000	—
	—	—	2225	—	—	1350	—	—	—	5295	—	—	—	—	5000
	4855	2335	—	1615	1465	—	5575	5560	5710	—	3920	4420	4990	3920	—
	—	—	2475	—	—	1600	—	—	—	6045	—	—	—	—	5000
	5275	2475	—	1755	1605	—	5995	5980	6130	—	3890	4300	4750	3890	—
	—	—	2600	—	—	1725	—	—	—	6425	—	—	—	—	—
	5650	2600	—	1880	1730	—	6370	6355	6505	—	3750	4200	4610	3750	—
	—	—	2725	—	—	1850	—	—	—	6795	—	—	—	—	—
	—	—	2815	—	—	1940	—	—	—	7075	—	—	—	—	—
	6400	2850	—	2130	1980	—	7120	7105	7255	—	3550	4000	4300	3550	—
—	—	2975	—	—	2100	—	—	—	7545	—	—	—	—	—	
7180	3110	—	2390	2240	—	7900	7885	8035	—	3200	3200	4000	3200	—	

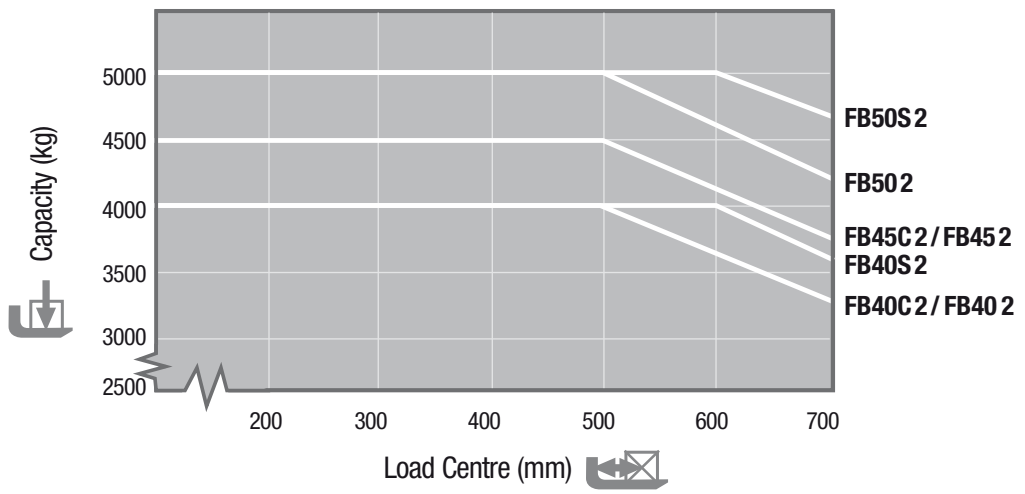
Battery compartment	FB40C/45C	FB40/45/50/40S/50S
Length (min)	1028	1028
Width (min)	855	999
Height (min)	784	784
Minimum weight (80V)	1863	2178



- h1 Height with mast lowered
- h2 Standard free lift
- h3 Lift height
- h4 Height with mast raised
- h5 Full free lift
- Q Lifting capacity, rated load
- c Load centre (distance)



- $A_{st} = W_a + x + l_6 + a$
- A_{st} = Working aisle width
- W_a = Turning radius
- a = Safety clearance = 2 x 100 mm
- l_6 = Pallet length (800 or 1000 mm)
- b12 = Pallet width (1200 mm)





Clear display



Non-slip low step



Spacious cabin

Steering system

- **Dynamic steering system** responds effectively to speed and environment for precise, reliable control.

Brakes

- **Automatic parking brake** delivers added security on ramps and slopes.

Hydraulics

- **High-efficiency hydraulics** maximise power, while minimising energy loss.

Electrical and control systems

- **Advanced controller with three-phase AC technology** smoothly adjusts acceleration, speed and braking to suit load, application and driver – reducing energy use, while increasing productive power.
- **Lateral battery changing system** ensures simple, quick and safe changeovers, for round-the-clock performance.

Operator compartment and controls

- **Clear display** alerts drivers and service engineers to potential issues – avoiding damage encouraging maintenance.
- **Low step with non-slip grip** and large, level foot-well gives easy on-off access to spacious operator compartment.
- **Operator protection system** prevents all truck movement unless operator is seated with seatbelt secured.
- **Adjustable armrest with integrated fingertip controls** increases operator comfort and precise control.
- **Fully adjustable steering column** can be positioned quickly and easily to suit each driver's exact needs.
- **Fully floating cabin** keeps vibrations to a minimum, reducing operator stress and fatigue – even on the longest shifts.
- **Low-noise technology** means sound level at operator's ear is no louder than a typical conversation.

Other features

- **RapidAccess** features give quick and easy entry to all areas for checks and maintenance.

Options

- **Progressive (PRO) features pack**
- **Lateral battery changing system**
- **Wide range of accessories**

when reliability is everything

Like any product bearing the Mitsubishi name, our materials handling equipment benefits from the huge resources and cutting-edge technology of one of the world's largest corporations. So when we promise you **quality, reliability** and **value for money**, you know it's a guarantee we have the power to deliver.

Every model in our comprehensive, award-winning range of forklift trucks and warehouse equipment is built to a high specification and is designed to keep on working for you... day after day... year after year... whatever the job... whatever the conditions.

To ensure your truck stays in constant productive action, we have a network of local dealers – hand-picked for their commitment to customer care... and backed up by the Mitsubishi Forklift Trucks organisation. No matter where you are, we have a dealer close by – ready and willing to meet your needs.

That friendly local service covers everything from identifying the perfect model and configuration for your application to providing competitive, flexible finance and maintenance packages, unbeatable warranties, long and short term hire, and highly responsive field service and repairs... as well as the industry's quickest and most reliable parts supply.

Only Mitsubishi can give you this combination of global engineering excellence and outstanding local support... only Mitsubishi offers you such a quality product at such an affordable price... and only Mitsubishi places reliability as high as you do in its priorities. Contact your local dealer now and see what Mitsubishi can do for you.

You can find your nearest dealer at www.mitforklift.com



CESM1558 (02/14)
© 2014 MCFE
Printed in The Netherlands

mitforklift@mcf.nl www.mitforklift.com

NOTE: Performance specifications may vary depending on standard manufacturing tolerances, vehicle condition, types of tyres, floor or surface conditions, applications or operating environment. Trucks may be shown with non-standard options. Specific performance requirements and locally available configurations should be discussed with your distributor of Mitsubishi forklift trucks. Mitsubishi follows a policy of continual product improvement. For this reason, some materials, options and specifications could change without notice.