

Specification sheet

FA CF65



090F6606HAAA - 201949c - 29-08-2019

ENGINES

CF65 220
CF65 220
CF65 250
CF65 250
CF65 300

GVM¹⁾

18000 kg

Max. front 8000 kg

Max. rear 11500 kg

GCM²⁾

22500 kg

Macedonia, D-M TRANS doo, www.daf.com

CAB EXTERIOR

Mechanically suspended Day Cab with steel bumper, tinted glass and electric window openers. Main mirrors and wide angle mirrors electrically heated. Cab width 2300 mm.; Electrically adjustable mirrors; Front view mirror.

Optional

- | | |
|---------------------------------------|---|
| 02106 Sleeper Cab | 06592 Four spot lights on the cab roof |
| 01137 Space Cab | |
| 00396 Permanent driving lights | 06593 Skylights |
| | 06591 Two spot lights on the cab roof |

COLOURS

Cab colour H3279 Brilliant White; Head lamp panel, bumper and step cover: grey; Chassis colour grey..

Optional

- | | |
|---|---|
| 09932 Head lamp panel, bumper and step cover: Br White | 16153 Cab and chassis colours and step cover: Br White |
| 09931 Head lamp panel, bumper and step cover: cab colour | |

CAB INTERIOR

Driver seat: Comfort Air; Co-driver seat: basic; No air conditioning; Roof hatch glass, manual control.

Optional

- | | |
|--|---|
| 06111 Dashboard: wood structure | 09150 Lower bunk, raised 135 mm |
| 02117 Third seat | 09151 Lower bunk, raised 250 mm |
| 06539 Refrigerator | 04186 Upper bunk |
| 04346 Lower bunk, normal level | 06599 Auxiliary cab heater (air) |

COMMUNICATION AND DRIVING MANAGEMENT

FMS connector prepared; Tachograph digital, VDO; Cruise control.

Optional

- 16155** Audio equipment, makes and types

SAFETY AND SECURITY

No vehicle stability control; Basic engine immobiliser system.

Optional

- 09992** Lane Departure Warning System

SUSPENSION AND AXLES

Front: 7.50 t, parabolic, 152N; Rear: 11.50 t, air suspension, SR1132.

Optional

- | | |
|-------------------------------------|--|
| 02471 Front axle load 5.00 t | 01778 Rear axle load 13.00 t |
| 01800 Rear axle SR1344 | 01603 Rear springs parabolic |
| 02453 Rear axle load 10.00 t | 03345 Rear springs parabolic, short |

WHEELS AND TYRES

Front axle 1: 315/70R22.5; Rear axle 1: 315/70R22.5; Spare: 315/70R22.5; Disc wheels steel, silvergrey; Wheel protection rings silvergrey.

Optional

- 16152** Tyre makes and types

DRIVELINE

GR165, 165 kW/224 hp, 38C. Cab badge: 220; Exhaust emission Euro 5; Manual gearbox, 6 speeds; Gearbox ratio 6.58-0.78; Rear axle ratio 5.13; No differential lock.

Optional

- | | |
|--|--|
| 01553 Engine idle shutdown, 5 minutes | 09888 Automatic gearbox, 5 speeds |
| 04393 Manual gearbox, 9 speeds | 02313 Gearbox direct drive |
| 08834 AS Tronic gearbox, 6 speeds | 03721 ASR |

BRAKE SYSTEM

ABS.

CHASSIS

Wheelbase 4.00 m / rear overhang 1.70 m; Side member height 260 mm; Plastic fuel tank 200 l; Fuel tank plastic; Spray suppression; Front underrun protection (FUP); Spare wheel carrier side.

DRAWBAR AND TRAILER EQUIPMENT

Closing member; No electric trailer connection.

Optional

- | | |
|---|--|
| 03048 D-value cross member D=7.5 | 01948 D-value cross member D=10 |
|---|--|

BODIES AND PREPARATIONS FOR BODYING

Application connector on the cab front.

Optional

- | | |
|---|--|
| 06692 Application connector on the chassis | 02597 Application connector for tail lift control |
|---|--|

ELECTRICAL POWER SUPPLY

Alternator 80 A, batteries 2x 125 Ah..

Optional

- | | |
|-------------------------------|--------------------------------|
| 01897 Alternator 100 A | 08797 Batteries 2x175Ah |
|-------------------------------|--------------------------------|

GVM AND GCM

Chassis weight related technical GVM max 19000 kg; Driveline related max GCM 22500 kg.

APPLICATION CONDITIONS

Moisture separator, unheated; Air intake on the cab roof.

Optional

- | | |
|---------------------------|---|
| 02270 Cold climate | 09961 Cyclonic air intake behind |
|---------------------------|---|

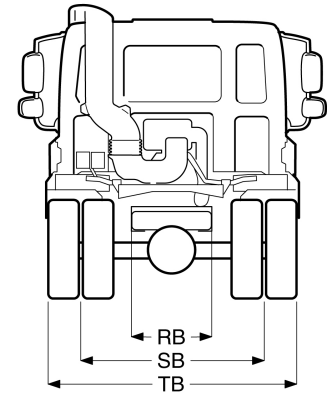
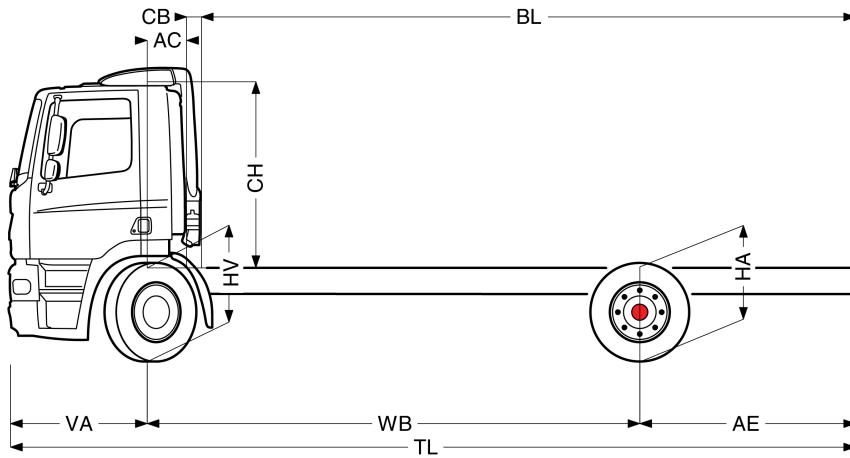
SEF

Stanc
drivel



Go to DAF.com to configure your own perfect DAF.

FA CF65



	Wheelbase - AE		Unladen weight ⁹⁾			Gross Carrying Capacity			Variable dimensions									
	WB	AE ⁸⁾	Front	Rear	Total	Front	Rear	Total	AC	CB ⁸⁾	CH ⁷⁾	BL ⁸⁾	BL	TL	HA ⁹⁾	HA ¹⁰⁾	TK ¹¹⁾	TW ¹²⁾
SPACE CAB	4.00	1.70	4029	1631	5659	3971	9869	12341	0.82	0.15	2.53	3.51	4.49	7.08	1.07	1.03	14.52	16.03
	4.15	1.85	4030	1644	5675	3970	9856	12325	0.82	0.15	2.53	3.71	4.73	7.38	1.07	1.03	14.93	16.45
	4.45	2.00	4048	1671	5719	3952	9829	12281	0.82	0.15	2.53	4.12	5.21	7.83	1.07	1.03	15.75	17.28
	4.75	2.00	4064	1676	5739	3936	9824	12261	0.82	0.15	2.53	4.54	5.70	8.13	1.07	1.03	16.57	18.11
	4.90	2.15	4066	1691	5757	3934	9809	12243	0.82	0.15	2.53	4.74	5.94	8.43	1.07	1.03	16.98	18.53
	5.10	2.75	4061	1752	5813	3939	9748	12187	0.82	0.15	2.53	4.99	6.25	9.23	1.07	1.02	17.53	19.08
	5.40	2.95	4067	1773	5840	3933	9727	12160	0.82	0.15	2.53	5.39	6.73	9.73	1.07	1.02	18.36	19.91
	5.70	3.15	4088	1819	5907	3912	9681	12093	0.82	0.15	2.53	5.80	7.22	10.23	1.07	1.02	19.18	20.75
	6.10	2.80	4116	1785	5901	3884	9715	12099	0.82	0.15	2.53	6.37	7.89	10.28	1.07	1.03	20.28	21.86
	6.60	3.20	4137	1845	5983	3863	9655	12017	0.82	0.15	2.53	7.05	8.70	11.18	1.07	1.03	21.66	23.24
6.90	3.70	4137	1903	6040	3863	9597	11960	0.82	0.15	2.53	7.43	9.16	11.98	1.07	1.03	22.49	24.08	
7.30	3.30	4173	1880	6053	3827	9620	11947	0.82	0.15	2.53	8.01	9.85	11.98	1.07	1.03	23.60	25.19	
DAY CAB	4.00	1.70	3847	1633	5480	4153	9867	12520	0.39	0.18	1.86	4.23	5.20	7.08	1.07	1.03	14.52	16.03
	4.15	1.85	3849	1647	5495	4151	9853	12505	0.39	0.18	1.86	4.43	5.43	7.38	1.07	1.03	14.93	16.45
	4.45	2.00	3866	1674	5540	4134	9826	12460	0.39	0.18	1.86	4.83	5.91	7.83	1.07	1.03	15.75	17.28
	4.75	2.00	3882	1678	5560	4118	9822	12440	0.39	0.18	1.86	5.24	6.39	8.13	1.07	1.03	16.57	18.11
	4.90	2.15	3884	1694	5577	4116	9806	12423	0.39	0.18	1.86	5.44	6.63	8.43	1.07	1.03	16.98	18.53
	5.10	2.75	3878	1755	5634	4122	9745	12366	0.39	0.18	1.86	5.69	6.93	9.23	1.07	1.03	17.53	19.08
	5.40	2.95	3885	1776	5660	4115	9724	12340	0.39	0.18	1.86	6.09	7.40	9.73	1.07	1.03	18.36	19.91
	5.70	3.15	3906	1822	5728	4094	9678	12272	0.39	0.18	1.86	6.48	7.88	10.23	1.07	1.03	19.18	20.75
	6.10	2.80	3934	1788	5722	4066	9712	12278	0.39	0.18	1.86	7.05	8.54	10.28	1.07	1.03	20.28	21.86
	6.60	3.20	3955	1848	5803	4045	9652	12197	0.39	0.18	1.86	7.71	9.34	11.18	1.07	1.03	21.66	23.24
6.90	3.70	3954	1907	5861	4046	9593	12139	0.39	0.18	1.86	8.09	9.80	11.98	1.07	1.03	22.49	24.08	
7.30	3.30	3991	1883	5874	4009	9617	12126	0.39	0.18	1.86	8.66	10.47	11.98	1.07	1.03	23.60	25.19	
SLEEPER CAB	4.00	1.70	3927	1631	5559	4073	9869	12441	0.82	0.16	1.86	3.45	4.42	7.08	1.07	1.03	14.52	15.90
	4.15	1.85	3929	1645	5574	4071	9855	12426	0.82	0.16	1.86	3.65	4.65	7.38	1.07	1.03	14.93	16.31
	4.45	2.00	3947	1672	5619	4053	9828	12381	0.82	0.16	1.86	4.05	5.14	7.83	1.07	1.03	15.75	17.14
	4.75	2.00	3963	1676	5639	4037	9824	12361	0.82	0.16	1.86	4.46	5.62	8.13	1.07	1.03	16.57	17.98
	4.90	2.15	3965	1691	5656	4035	9809	12344	0.82	0.16	1.86	4.66	5.86	8.43	1.07	1.03	16.98	18.39
	5.10	2.75	3960	1753	5713	4040	9747	12287	0.82	0.16	1.86	4.91	6.16	9.23	1.07	1.02	17.53	18.95
	5.40	2.95	3967	1773	5739	4033	9727	12261	0.82	0.16	1.86	5.31	6.64	9.73	1.07	1.02	18.36	19.78
	5.70	3.15	3988	1819	5807	4012	9681	12193	0.82	0.16	1.86	5.72	7.12	10.23	1.07	1.02	19.18	20.61
	6.10	2.80	4015	1785	5801	3985	9715	12199	0.82	0.16	1.86	6.28	7.79	10.28	1.07	1.03	20.28	21.72
	6.60	3.20	4037	1845	5882	3963	9655	12118	0.82	0.16	1.86	6.95	8.59	11.18	1.07	1.03	21.66	23.11
6.90	3.70	4036	1903	5940	3964	9597	12060	0.82	0.16	1.86	7.33	9.05	11.98	1.07	1.03	22.49	23.95	
7.30	3.30	4073	1880	5953	3927	9620	12047	0.82	0.16	1.86	7.91	9.73	11.98	1.07	1.03	23.60	25.06	

OTHER DIMENSIONS VA: 1.38 HV¹³⁾: 0.97 HV¹⁴⁾: 0.96 RB: 0.79 SB: 1.83 TB: 2.49

- GVM in conformity with registration documents.
- GCM in conformity with registration documents.
- Axle load with standard tyre size.
- Chassis and cab weight calculated with: Standard specification items only with 200 litres of fuel, 26 litres of AdBlue and driver of 80 kg, tolerance $\pm 3\%$. Changing of the specification can have major impact on vehicle weight.
- Other AE dimensions may be available for shown WB. Modify rear overhang to the calculated body length.
- CB is based on standard air intake and/or exhaust.
- Cab height is measured from frame member to closed cabin roof hatch. With air intake on cab roof: +0.14 m.

- Calculate customer specific body length with TOPEC. Body lengths shown based on evenly distributed load at max axle load.
- Unladen height at centre of driven axle(s).
- Laden height at centre of driven axle(s).
- TK = turning circle between kerbs.
- TW = turning circle between walls.
- Unladen height at centre of front axle(s).
- Laden height at centre of front axle(s).

Depending on the vehicle configuration a specific option may not be possible. The availability and specification of this vehicle may differ per country. For further information please contact the DAF organisation. Pictures and technical illustrations are not binding in detail and can differ from the standard specification. Subject to modification without prior notice.