



EZ80

Tracked Zero Tail Excavators



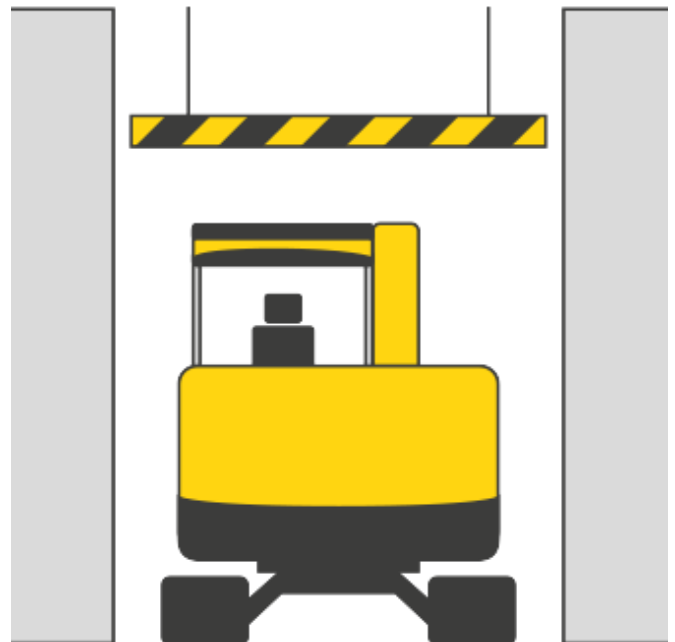
Compact design meets powerful performance

The EZ80 is the biggest zero tail excavator from Wacker Neuson. Compact dimensions, reduced fuel consumption and high performance are united in one machine. With a digging depth of more than 4 meters and an efficient digging power, excavation jobs are completed quickly. Working close to walls or other environmental obstacles provides no issue for this zero tail machine in any operating position. This and its compact design make the EZ80 the first choice excavator when it comes to narrow inner city job sites. On top of that the EZ80 also convinces with up to 20% less fuel consumption and thus significantly reduced operating costs.

- Precise and sensitive operation thanks to the Load Sensing Hydraulic system with LUDV (load-independent flow control).
- Programmable presets by pressing a button, jog dial control system for float volumes per attachment tool – safe and recall.
- Maintenance made easy: the tiltable cabin and the removable chassis cover provide quick and easy access, diagnostic tools offer further support.
- Meets highest quality standards: High-quality materials and excellent workmanship ensure a long service life.

Reduced dimensions

- Significantly lower height and width than comparable competition models
- Easily master tight construction sites and low passages
- Higher level of stability due to the low center of gravity
- Easy to transport

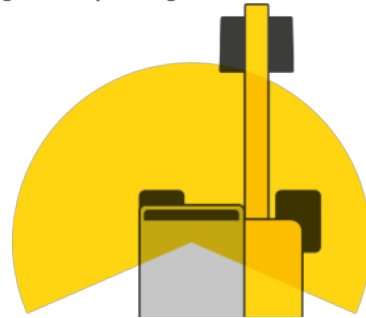




**WACKER
NEUSON**
all it takes!



Cabin, sight and operating comfort



- Innovative solution for the optimal view – boom to the right next to the cabin
- Operator comfort: spacious cabin, air cushioned seat and automatic air-conditioning system
- Innovative front windshield system: two-part windshield can be slid up and moved - rain roof position
- LED headlights for optimal illumination
- Rear camera for more safety when in reverse operation

zero tail – compact all around

- Overall compact dimensions, ideal for working in narrow spaces.
- Zero Tail Excavator for safe operation close to walls, roads, buildings or other surrounding limitations as in inner cities or busy roads.
- Optional counterweights improve stability.





Jog dial system

- Technology from the auto industry.
- For the direct control of important functions
- Intuitive to operate

Technical specifications

Operating data

Shipping weight min.	7,588 kg
Operating weight min.	7,918 kg
Biting force max.	43.7 kN
Breakaway force max.	68 kN
Digging depth max.	4,169 mm
Dumping height max.	4,749 mm
Digging radius max.	7,190 mm
Superstructure slewing speed	9 1/min
L x W x H	6,939 x 2,250 x 2,562 mm

Engine / Motor

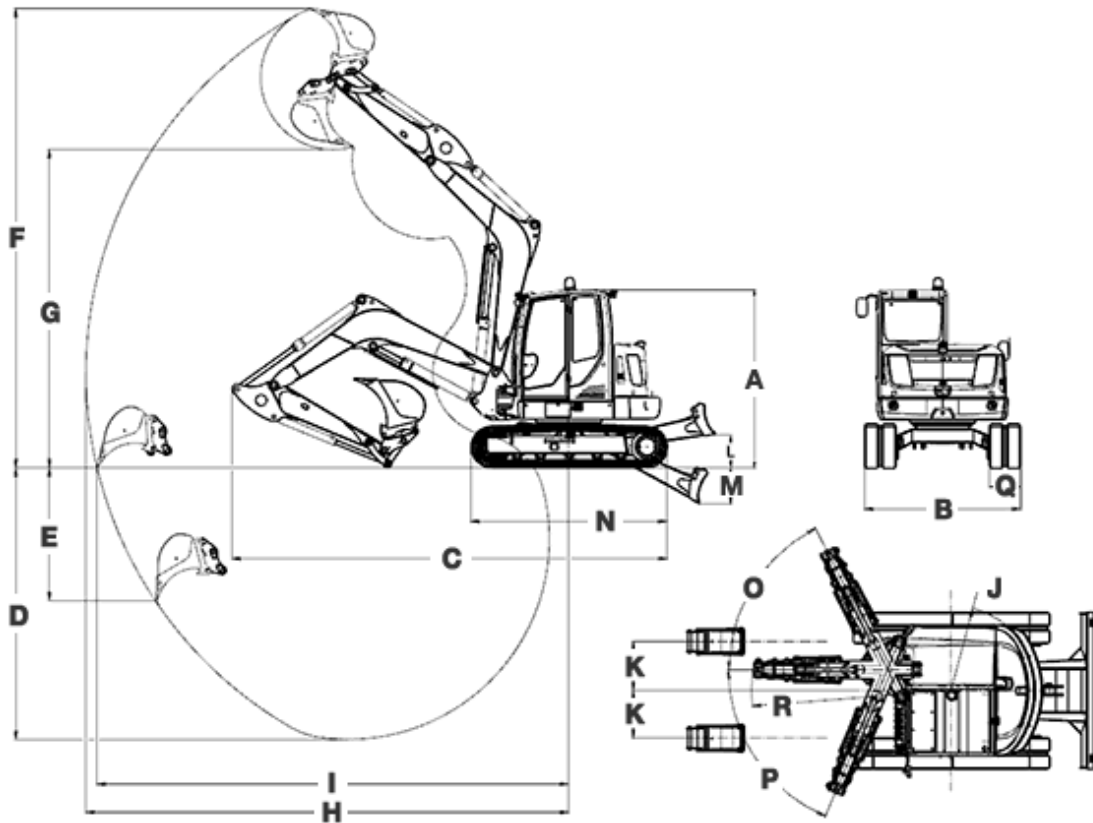
Engine / Motor manufacturer	Perkins
Engine / Motor type	404D-22T
Engine / Motor	Water-cooled 4-cylinder turbo diesel engine
Displacement	2,216 cm ³
Engine performance acc. to ISO	36.3 kW
Battery	88 Ah



Tank capacity	85 l
Hydraulic system	
Duty pump	axial piston pump
Flow rate	160 l/min
Operating pressure for working and traction hydraulics	300 bar
Operating pressure slewing gear	240 bar
Hydraulic oil tank	113 l
Wheel set	
Travel speed max.	4.4 km/h
Chain width	450 mm
Ground clearance	357 mm
Dozer Blade	
Width	2,250 mm
Height	504 mm
Stroke above ground	474 mm
Stroke below ground	523 mm
Sound level	
Sound level (LwA) acc. to 2000/14/EC	97 dB(A)
Cabin - specified sound pressure level LpA acc. to ISO 6394	79 dB(A)



Dimensions



short dipperstick

long dipperstick

	short dipperstick	long dipperstick
A Height mm	2,562	2,562
B Width mm	2,250	2,250
C Transport length mm	6,939	6,944
D Digging depth max. mm	3,919	4,169
E Insertion depth max. mm	1,915	2,124
F Insertion height max. mm	6,620	6,782
G Dumping height max. mm	4,587	4,749
H Digging radius max. mm	6,955	7,190
I Range max. on the ground mm	6,795	7,036
J Rear swivel radius nin. mm	1,228	1,228
K Arm displacement max. to middle of bucket right side mm	705	705
L Lift height max. levelling blade above formation mm	474	474



M	Scraping depth max. of levelling blade below formation mm	523	523
N	Length of running gear mm	2,826	2,826
O	Turning angle max. arm system to the right °	63	63
P	Turning angle max. arm system to the left °	67	67
Q	Width tracks mm	450	450
R	Boom slewing radius middle mm	2,869	2,869

Please note

that product availability can vary from country to country. It is possible that information / products may not be available in your country. More detailed information on engine power can be found in the operator's manual; the stated power may vary due to specific operating conditions.

Subject to alterations and errors excepted. Applicable also to illustrations.

Copyright © 2016 Wacker Neuson SE.