



Electric pedestrian controlled truck **EJC B12n / 110n / 112n**

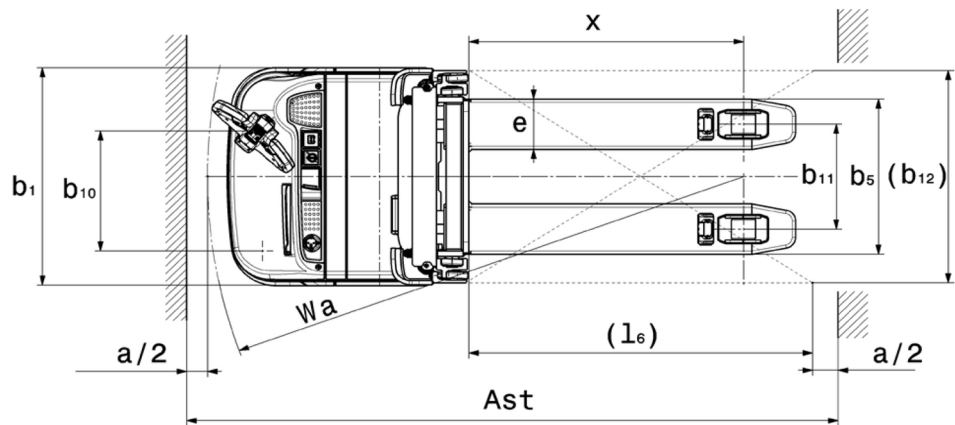
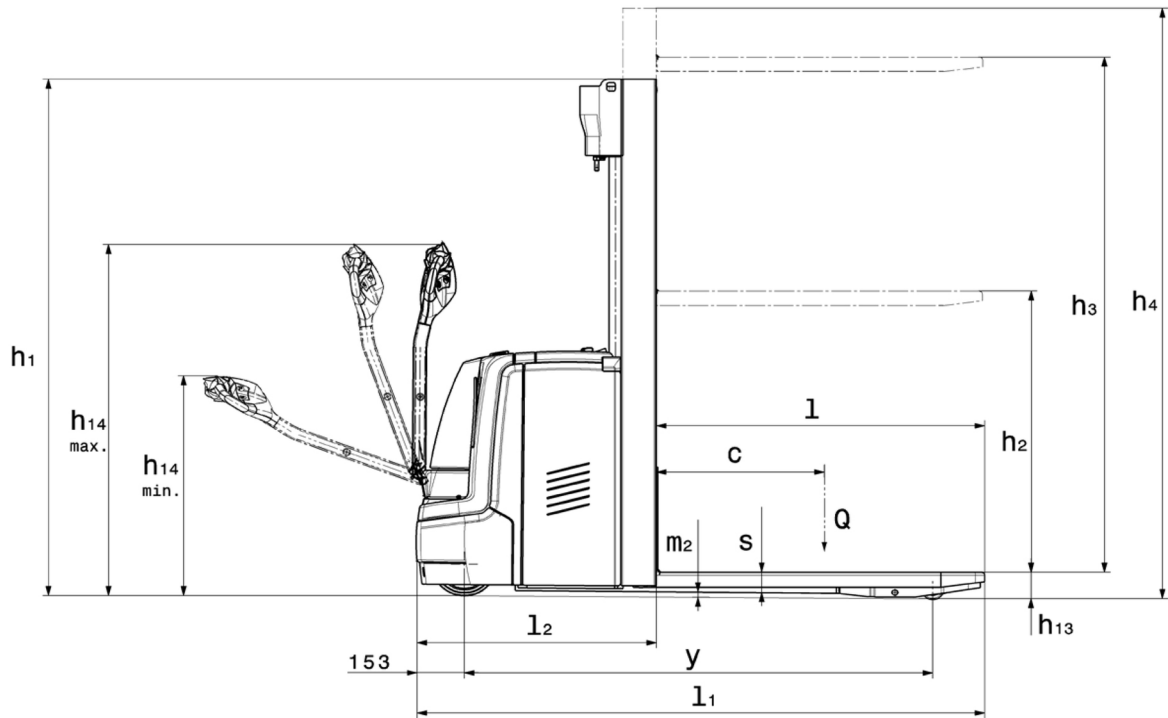
Lift height: 2900-3373 mm / Capacity: 1000-1200 kg

With a very short front length (L2 dimension) of only 637 mm, the EJCn is particularly effortless and safe to maneuver, even in confined spaces. The high performance drive motor in 24 V 3-phase AC technology is an added bonus. The required power is supplied to the EJC 110n/

112n/B12n via batteries with capacities up to 160 AH. An integrated charger facilitates comfortable and reliable charging of the installed battery at any 220V mains socket. EJC B12n would be the appropriate choice for some special goods.

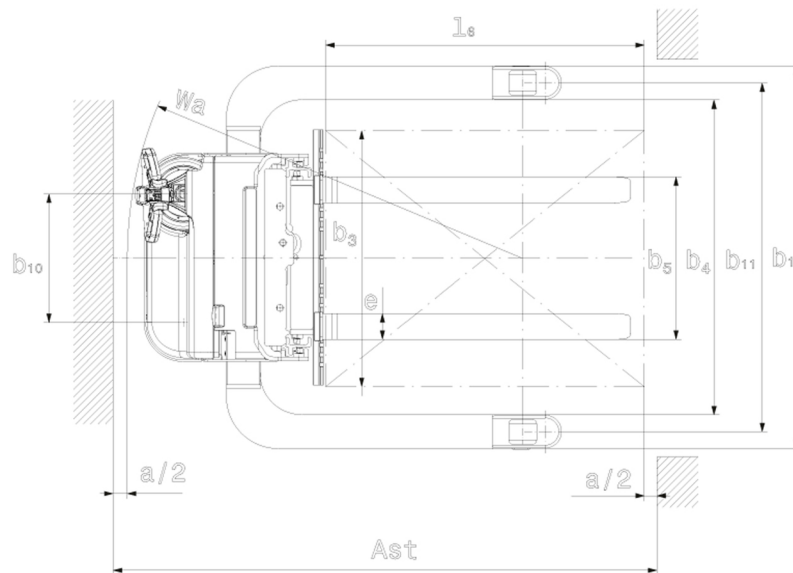
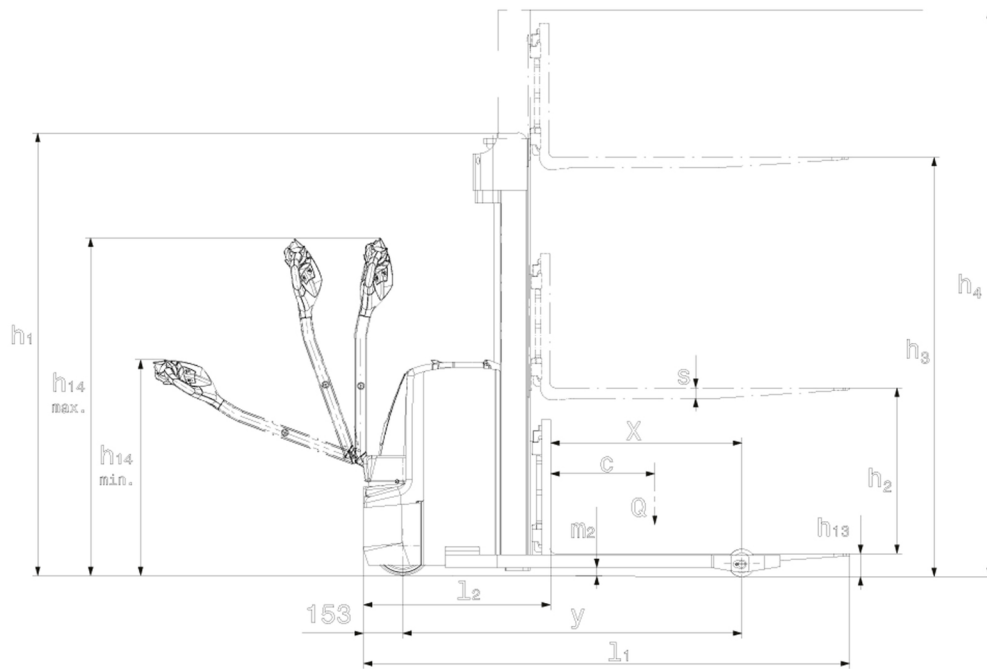
EJC B12n / 110n / 112n

EJC_1n



EJC B12n / 110n / 112n

EJC_B12



EJC B12n / 110n / 112n

EJC 110n, EJC 112n	Lift (h3)	Retracted mast height (h1)	Free lift (h2)	Extended mast height (h4)
Duplex mast ZT	2500 mm	1750 mm	100 mm	2973 mm
	2900 mm	1950 mm	100 mm	3373 mm
	3200 mm	2100 mm	100 mm	3673 mm
	3600 mm	2300 mm	100 mm	4073 mm
EJC B12n	Lift (h3)	Retracted mast height (h1)	Free lift (h2)	Extended mast height (h4)
Duplex mast ZT	2500 mm	1750 mm	100 mm	2973 mm
	2900 mm	1950 mm	100 mm	3373 mm
	3200 mm	2100 mm	100 mm	3673 mm
	3600 mm	2300 mm	100 mm	4073 mm

VDI table

Stand-on: 12/2019

Characteristic	No.	Description	Unit	Jungheinrich		
				EJC B12n	EJC 110n	EJC 112n
Characteristic	1.1	Manufacturer (abbreviated description)		Jungheinrich		
	1.2	Manufacturer's type designation		EJC B12n	EJC 110n	EJC 112n
	1.3	Drive		Electric		
	1.4	Operation		Pedestrian		
	1.5	Capacity/load	Q kg	1.200	1.000	1.200
	1.6	Load centre distance	c mm	600		
	1.8	Load distance, centre of drive axle to fork	x mm	760	687	
	1.9	Wheelbase	y mm	1.300	1.171	
	Weights	2.1.1	Service weight (incl. battery)	kg	963	805
2.2		Axle load laden front/rear	kg	827 / 1.324	650 / 1.155	660 / 1.360
2.3		Axle load unladen front/rear	kg	682 / 281	565 / 240	575 / 245
Wheels/suspension system	3.1	Tyres		PU		
	3.2	Tyre size, front		Ø 230 x 70		
	3.3	Tyre size, rear		Ø 85 x 100	Ø 85 x 110	
	3.4	Additional wheels		Ø 140 x 54		
	3.5	Wheels, number front/back (x=driven)		1x +1/2		
	3.6	Tread width, front	b ₁₀ mm	510		
	3.7	Tread width, rear	b ₁₁ mm	1.350	375	
Basic dimensions	4.2	Retracted mast height (h1)	h ₁ mm	1.950		
	4.3	Free lift (h2)	h ₂ mm	100		
	4.4	Lift (h3)	h ₃ mm	2.900		
	4.5	Extended mast height (h4)	h ₄ mm	3.373		
	4.9	Height of tiller handle in drive position min./max.	mm	785 / 1.305	820 / 1.310	
	4.15	Height, lowered	h ₁₃ mm	85		
	4.19	Overall length	l ₁ mm	1.905	1.787	
	4.20	Length including fork shank	l ₂ mm	716	637	
	4.21	Overall width	b ₁ / b ₂ mm	1.470	800	
	4.22	Fork dimensions	s/e/l mm	40 / 100 / 1.150	56 / 185 / 1.150	
	4.25	Width across forks (dimension 1), WaF	b ₅ mm	980	560	
	4.32	Ground clearance centre of wheelbase	m ₂ mm	30		
	4.34	Aisle width (pallet 1000x1200 sideways)	Ast mm	2.416	2.046	
	4.34.1	Aisle width (pallet 800x1200 length)	Ast mm	2.416	2.096	
	4.35	Turning radius	W _a mm	1.475	1.383	
Performance data	5.1	Travel speed laden/unladen	km/h	6 / 6		
	5.2	Lift speed laden/unladen	m/s	0.12 / 0.20	0.13 / 0.20	0.12 / 0.20
	5.3	Lowering speed laden/unladen	m/s	0.43 / 0.40		
	5.8	Max. gradeability laden/unladen	%	6 / 13	8 / 16	
	5.10	Service brake		electric		
E-motor/Electronics	6.1	Drive motor, performance S2 60 min	kW	1		
	6.2	Lift motor, performance with S3	kW	1.9	1.7	1.9
	6.3	Battery according to DIN 43531/35/36		no		
	6.4	Battery voltage / nominal capacity	V / Ah	24 / 160		
	6.5	Battery weight	kg	170	156	
	6.6.1	Energy consumption according to EN cycle	kWh/h	0.95	0.85	0.95
	6.6.2	CO2 equivalent as per EN 16796	kg/h	0,51	0,46	0,51

Miscellaneous	8.1	Type of drive control		AC speedCONTROL	
	10.7	Sound level as per EN12053, operator's ear	dB (A)	79	70

- In accordance with VDI Guideline 2198 this data sheet provides details of the standard truck only. Non-standard tyres, different masts, optional equipment, etc. may result in different values.

The German production facilities in
Norderstedt, Moosburg and Landsberg
are certified.

ISO 9001
ISO 14001

Jungheinrich fork lift trucks meet
European safety requirements.



 **JUNGHEINRICH**

The Jungheinrich logo, featuring a red upward-pointing arrow integrated into the letter 'J', followed by the brand name 'JUNGHEINRICH' in a bold, black, sans-serif font.