

# DT10

## Track Dumpers



**WACKER  
NEUSON**  
*all it takes!*



### Your professional equipment

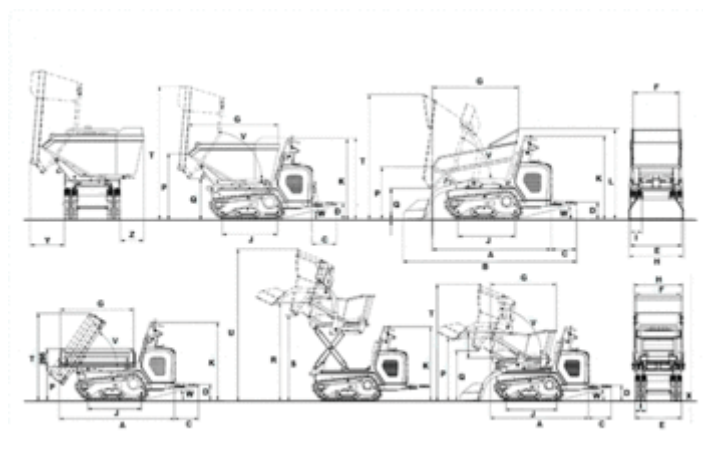
The crawler-mounted dumper DT10 from Wacker Neuson guarantees absolutely safe and comfortable driving thanks to a high level of stability and running smoothness. Also for overcoming curbs, this equipment is your best partner in tight spaces.

- Easy and convenient operation thanks to the fully-hydrostatic drive.
- Robust crawler design, guaranteeing durability and low wear and tear.
- Single-piece engine hood and optimized layout of the servicing points facilitate daily maintenance.
- The rubber chains and the optimum weight distribution reduce the ground pressure and prevent damage to fragile surfaces.
- Ultra-compact dimensions ideal for tight working conditions and passages; large ground clearance.

## DT10 Technical specifications

	Front tip skip	High tip skip	Front tip skip platform	Swivel tip skip
<b>Operating data</b>				
Shipping weight kg	630	740	590	775
Shipping weight SLE kg	695	820		
Payload max. kg	1,000	550	1,000	1,000
Skip capacity leveled l	367	240	300	431
Skip capacity heaped l	427	280	210	460
L x W x H mm	1,823 x 830 x 1,280	1,684 x 830 x 1,280	1,882 x 806 x 1,280	1,960 x 700 x 1,280
<b>Engine / Motor</b>				
Engine performance Diesel kW	9.7	9.7	9.7	9.7
at rpm rpm	3,600	3,600	3,600	3,600
Travel speed km/h	4	4	4	4
Gradeability %	36	36	36	36
Fuel tank capacity l	9.7	9.7	9.7	9.7

## DT10 Dimensions



		Front tip skip	High tip skip	Swivel tip skip	Front tip skip platform
<b>A</b>	Length (w/o operator stand board)	1,800 mm	1,684 mm	1,960 mm	1,882 mm
<b>B</b>	Length with self-loading system (w/o operator stand board)	2,267 mm	2,240 mm		
<b>C</b>	Length operator stand board	393 mm	393 mm	393 mm	393 mm
<b>D</b>	Height above stand board	265 mm	265 mm	265 mm	265 mm
<b>E</b>	Width undercarriage	790 mm	790 mm	790 mm	790 mm
<b>F</b>	Skip width	700 mm	764 mm	730 mm	806 mm
<b>G</b>	Skip length	1,320 mm	1,134 mm	1,427 mm	1,200 mm
<b>H</b>	Width with self-loading system	830 mm	830 mm		
<b>I</b>	Chain width	180 mm	180 mm	180 mm	180 mm
<b>J</b>	Length track rise	875 mm	875 mm	875 mm	875 mm
<b>K</b>	Height over control console	1,280 mm	1,280 mm	1,280 mm	1,280 mm
<b>L</b>	Height	1,365 mm		1,301 mm	
<b>P</b>	Height of skip front edge	804 mm	1,076 mm	1,045 mm	849 mm
<b>Q</b>	Dump height max.	474 mm	868 mm	650 mm	256 mm
<b>R</b>	Height		1,688 mm		
<b>S</b>	Dump height max.		1,467 mm		
<b>T</b>	Height skip raised	1,905 mm	2,009 mm	2,112 mm	1,430 mm
<b>U</b>	Height		2,610 mm		
<b>V</b>	Dump angle	70 °	82 °	85 °	56 °
<b>W</b>	Bucket rollback operator stand board	14 °	14 °	14 °	14 °
<b>Y</b>	Dumping distance	487 mm			
<b>X</b>	Ground clearance	172 mm	160 mm	172 mm	160 mm
<b>Z</b>	Rear overhang	337 mm			

Please note: that product availability can vary from country to country. It is possible that information / products may not be available in your country. More detailed information on engine power can be found in the operator's manual; the stated power may vary due to specific operating conditions. Subject to alterations and errors excepted. Applicable also to illustrations.  
Copyright © 2019 Wacker Neuson SE.