

# Specification sheet

# CF 230

FA 4X2 Rigid



## ENGINES

- CF 230 PX-7 (172 kW / 234 hp)
- CF 260 PX-7 (194 kW / 264 hp)
- CF 290 PX-7 (217 kW / 295 hp)
- CF 320 PX-7 (239 kW / 325 hp)

## GVM<sup>1)</sup>

- 18000 kg
- Max. front 7500 kg
- Max. rear 11500 kg

## GCM<sup>2)</sup>

- 22500 kg

016F6606AAAA - 202041P - 18-06-2020

DAF Trucks Ltd, UK, Haddenham, HP17 8LJ, [www.daf.co.uk](http://www.daf.co.uk)

## CAB EXTERIOR

Day Cab with galvanised steel bumper, tinted glass and electric window openers. Main mirrors and wide angle mirrors electrically heated. Cab width 2300 mm.; LED daytime running lights; Electrically adjustable mirrors; Front view mirror.

### Optional

<b>02106</b> Sleeper Cab	<b>09984</b> Fog lights and cornering lights
<b>01137</b> Space Cab	<b>06593</b> Skylights
<b>01226</b> Cab suspension air	<b>06628</b> One hazard beacon light at co-driver side
<b>01174</b> External sun visor green translucent	<b>06627</b> One hazard beacon light at driver side
<b>09983</b> Fog lights	<b>06629</b> Two hazard beacon lights

## AERODYNAMICS

### Optional

<b>04906</b> Side collars
---------------------------

## COLOURS

Cab colour H3279 Brilliant White; Head lamp panel and bumper: Brilliant White; Chassis colour grey..

### Optional

<b>06485</b> Head lamp panel and bumper: cab colour	<b>07245</b> Mirror covers Brilliant White
<b>09933</b> Head lamp panel and bumper: Stone Grey	<b>04198</b> Mirror covers in cab colour
<b>06442</b> Mirror covers grey	<b>16153</b> Cab and chassis colours

## CAB INTERIOR

Driver seat: Comfort Air; Co-driver seat: basic; Automatic Temperature Control and airco; Roof hatch glass, manual control; Pollen filter.

### Optional

<b>09271</b> Steering wheel, leather, colour black	<b>07741</b> Co-driver seat: Comfort Air
<b>07240</b> Steering wheel, leather, Exclusive	<b>07743</b> Co-driver seat: Luxury Air
<b>07152</b> Cab interior trim colour Exclusive	<b>07746</b> Co-driver seat: Super Air
<b>07592</b> Cab interior decoration Argenta	<b>07748</b> Co-driver seat: Xtra Leather Air
<b>07591</b> Cab interior decoration Rustica	<b>00967</b> Seat belts red
<b>07733</b> Driver seat: Luxury Air	<b>02117</b> Third seat
<b>07736</b> Driver seat: Super Air	<b>06539</b> Refrigerator
<b>07737</b> Driver seat: Xtra Leather Air	

## COMMUNICATION AND DRIVING MANAGEMENT

Tachograph digital, Stoneridge 1C; Speed limiter setting 85 km/h absolute; Antennas: AM/FM, 2x GSM, GPS; Adaptive Cruise Control with FCW and AEBS-CM2.

### Optional

<b>16155</b> Audio equipment, makes and types	<b>07261</b> TruckPhone
---	-------------------------

## SAFETY AND SECURITY

Lane Departure Warning System; Vehicle Stability Control (VSC); Basic engine immobiliser system.

### Optional

<b>01725</b> Reverse warning	<b>16156</b> EC-ADR packages
------------------------------	------------------------------

## SUSPENSION AND AXLES

Front axle load 7.50 t; Rear: 11.50 t, air suspension, SR1132.

### Optional

<b>01800</b> Rear axle SR1344	<b>01603</b> Rear springs parabolic
<b>01778</b> Rear axle load 13.00 t	

## WHEELS AND TYRES

Front axle 1: 315/70R22.5; Rear axle 1: 315/70R22.5; Disc wheels steel, silvergrey; Wheel protection rings silvergrey.

### Optional

<b>16152</b> Tyre makes and types
-----------------------------------

## DRIVELINE

Engine PX-7, 6 cylinder diesel engine, 6.7 litres. Output 172 kW (234 hp) at 2300 rpm. Max. torque 900 Nm at 1000-1700 rpm.; Exhaust emission Euro 6; Engine idle shutdown, 5 minutes; Manual gearbox, 6 speeds; Gearbox ratio 6.75-0.78; Rear axle ratio 4.56.

### Optional

<b>04393</b> Manual gearbox, 9 speeds	<b>09888</b> Automatic gearbox, 5 speeds
<b>08834</b> AS Tronic gearbox, 6 speeds	<b>02843</b> Mechanical differential lock
<b>04500</b> AS Tronic gearbox, 12 speeds	

## CHASSIS

Wheelbase 4.15 m / rear overhang 1.85 m; Side member height 270 mm; Standard component location; Plastic fuel tank 200 l; Spray suppression; Front underrun protection (FUP); Tank for AdBlue® 25 l, right-hand side chassis.

### Optional

<b>16157</b> Fuel tanks, material and sizes	<b>07071</b> Spare wheel carrier right-hand side
---	--

## DRAWBAR AND TRAILER EQUIPMENT

Closing member.

### Optional

<b>04661</b> D-value cross member D= 8.5	<b>01948</b> D-value cross member D=10
--	--

## BODIES AND PREPARATIONS FOR BODYING

Application connector on the cab front.

### Optional

<b>06692</b> Application connector on the chassis	<b>02597</b> Application connector for tail lift control
---	--

## POWER TAKE-OFF (PTO)

### Optional

<b>16148</b> PTO types and positions
--------------------------------------

## ELECTRICAL POWER SUPPLY

Alternator 80 A, batteries 2x 125 Ah..

### Optional

<b>01897</b> Alternator 100 A	<b>08797</b> Batteries 2x175Ah
-------------------------------	--------------------------------

## GVM AND GCM

Chassis weight related technical GVM max 19000 kg; Driveline related max GCM 22500 kg.

### Optional

<b>00043</b> Driveline related max GCM 19000 kg	<b>00620</b> Driveline related max GCM 28000 kg
<b>02658</b> Driveline related max GCM 26000 kg	<b>03027</b> Driveline related max GCM 32000 kg class 3

## APPLICATION CONDITIONS

Moisture separator, unheated; Air intake on the cab roof.

### Optional

<b>02270</b> Cold climate	<b>04987</b> Radiator flyscreen
<b>09961</b> Cyclonic air intake behind the cab	

## SERVICE AND MAINTENANCE

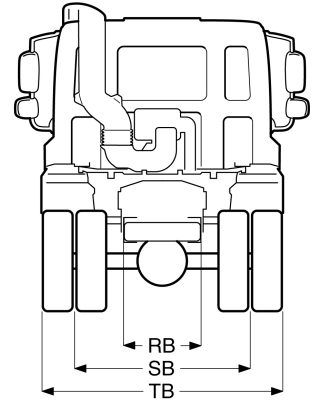
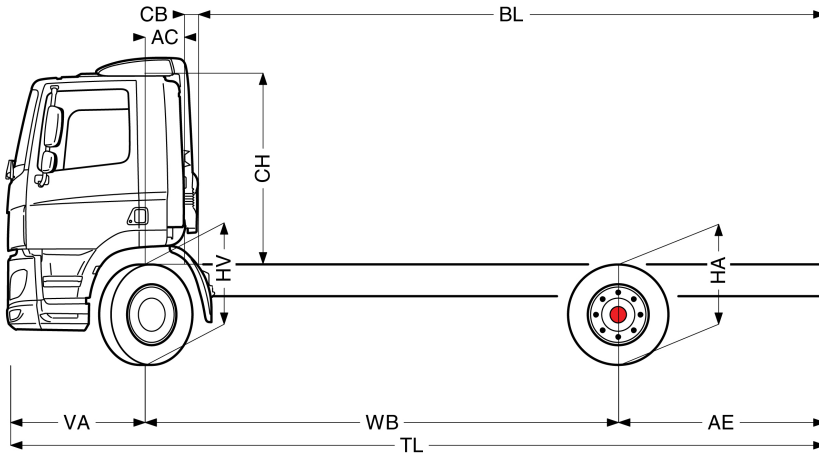
Warranty Plus - 2 Year Vehicle & 3 Year Driveline - takes care of all warrantable repairs on the vehicle for two years and on the driveline for a third year together with associated breakdown coverage.; DAF 2 year Preventive Maintenance Package - 320k.



Go to [DAF.com](https://www.daf.com) to configure your own perfect DAF.

# CF 230

## FA 4X2 Rigid



	Wheelbase - AE		Unladen weight <sup>9)</sup>			Gross Carrying Capacity			Variable dimensions									
	WB	AE <sup>9)</sup>	Front	Rear	Total	Front	Rear	Total	AC	CB <sup>8)</sup>	CH <sup>7)</sup>	BL <sup>8)</sup>	BL	TL	HA <sup>9)</sup>	HA <sup>10)</sup>	TK <sup>11)</sup>	TW <sup>12)</sup>
DAY CAB	4.00	1.70	3790	1826	5616	3710	9674	12384	0.39	0.18	1.98	4.47	5.10	7.07	0.98	0.96	14.46	15.86
	4.15	1.85	3794	1837	5631	3706	9663	12369	0.39	0.18	1.98	4.67	5.34	7.37	0.98	0.96	14.87	16.27
	4.45	2.00	3813	1855	5668	3687	9645	12332	0.39	0.18	1.98	5.11	5.82	7.82	0.98	0.96	15.69	17.11
	4.75	2.00	3830	1854	5684	3670	9646	12316	0.39	0.18	1.98	5.53	6.30	8.12	0.98	0.96	16.51	17.94
	4.90	2.15	3833	1865	5698	3667	9635	12302	0.39	0.18	1.98	5.75	6.53	8.42	0.98	0.96	16.92	18.35
	5.10	2.75	3831	1925	5756	3669	9575	12244	0.39	0.18	1.98	6.00	6.84	9.22	0.98	0.95	17.47	18.91
	5.40	2.95	3859	1974	5833	3641	9526	12167	0.39	0.18	1.98	6.43	7.30	9.72	0.98	0.95	18.29	19.74
	5.70	3.15	3881	2015	5896	3619	9485	12104	0.39	0.18	1.98	6.86	7.79	10.22	0.98	0.95	19.12	20.58
	6.10	2.80	3912	1973	5885	3588	9527	12115	0.39	0.18	1.98	7.45	8.44	10.27	0.98	0.96	20.22	21.69
	6.60	3.20	3938	2032	5970	3562	9468	12030	0.39	0.18	1.98	8.17	9.24	11.17	0.98	0.96	21.60	23.07
6.90	3.70	3938	2092	6030	3562	9408	11970	0.39	0.18	1.98	8.55	9.70	11.97	0.98	0.95	22.43	23.91	
7.30	3.30	3976	2060	6036	3524	9440	11964	0.39	0.18	1.98	9.18	10.36	11.97	0.98	0.96	23.53	25.02	
SLEEPER CAB	4.00	1.70	3838	1830	5668	3662	9670	12332	0.82	0.16	1.98	3.67	4.31	7.07	0.98	0.95	14.46	15.86
	4.15	1.85	3842	1840	5683	3658	9660	12317	0.82	0.16	1.98	3.88	4.54	7.37	0.98	0.95	14.87	16.27
	4.45	2.00	3862	1858	5720	3638	9642	12280	0.82	0.16	1.98	4.30	5.03	7.82	0.98	0.95	15.69	17.11
	4.75	2.00	3880	1856	5736	3620	9644	12264	0.82	0.16	1.98	4.74	5.51	8.12	0.98	0.95	16.51	17.94
	4.90	2.15	3883	1867	5750	3617	9633	12250	0.82	0.16	1.98	4.96	5.74	8.42	0.98	0.95	16.92	18.35
	5.10	2.75	3882	1926	5808	3618	9574	12192	0.82	0.16	1.98	5.23	6.04	9.22	0.98	0.95	17.47	18.91
	5.40	2.95	3910	1975	5885	3590	9525	12115	0.82	0.16	1.98	5.65	6.52	9.72	0.98	0.95	18.29	19.74
	5.70	3.15	3933	2015	5948	3567	9485	12052	0.82	0.16	1.98	6.07	7.01	10.22	0.98	0.95	19.12	20.58
	6.10	2.80	3964	1973	5937	3536	9527	12063	0.82	0.16	1.98	6.68	7.67	10.27	0.98	0.95	20.22	21.69
	6.60	3.20	3990	2032	6022	3510	9468	11978	0.82	0.16	1.98	7.38	8.46	11.17	0.98	0.95	21.60	23.07
6.90	3.70	3991	2091	6082	3509	9409	11918	0.82	0.16	1.98	7.78	8.92	11.97	0.98	0.95	22.43	23.91	
7.30	3.30	4028	2059	6088	3472	9441	11912	0.82	0.16	1.98	8.40	9.61	11.97	0.98	0.96	23.53	25.02	
SPACE CAB	4.00	1.70	3951	1831	5781	3549	9669	12219	0.82	0.16	2.66	3.72	4.37	7.07	0.98	0.95	14.46	15.86
	4.15	1.85	3955	1841	5796	3545	9659	12204	0.82	0.16	2.66	3.93	4.60	7.37	0.98	0.95	14.87	16.27
	4.45	2.00	3975	1858	5834	3525	9642	12166	0.82	0.16	2.66	4.37	5.09	7.82	0.98	0.95	15.69	17.11
	4.75	2.00	3993	1856	5849	3507	9644	12151	0.82	0.16	2.66	4.81	5.58	8.12	0.98	0.95	16.51	17.94
	4.90	2.15	3996	1867	5863	3504	9633	12137	0.82	0.16	2.66	5.02	5.81	8.42	0.98	0.95	16.92	18.35
	5.10	2.75	3995	1926	5921	3505	9574	12079	0.82	0.16	2.66	5.28	6.12	9.22	0.98	0.95	17.47	18.91
	5.40	2.95	4023	1975	5999	3477	9525	12001	0.82	0.16	2.66	5.72	6.61	9.72	0.98	0.95	18.29	19.74
	5.70	3.15	4046	2015	6061	3454	9485	11939	0.82	0.16	2.66	6.14	7.09	10.22	0.98	0.95	19.12	20.58
	6.10	2.80	4077	1974	6050	3423	9526	11950	0.82	0.16	2.66	6.75	7.75	10.27	0.98	0.96	20.22	21.69
	6.60	3.20	4103	2032	6135	3397	9468	11865	0.82	0.16	2.66	7.47	8.56	11.17	0.98	0.95	21.60	23.07
6.90	3.70	4104	2091	6195	3396	9409	11805	0.82	0.16	2.66	7.88	9.03	11.97	0.98	0.95	22.43	23.91	
7.30	3.30	4142	2059	6201	3358	9441	11799	0.82	0.16	2.66	8.49	9.71	11.97	0.98	0.96	23.53	25.02	

OTHER DIMENSIONS VA: 1.37 HV<sup>13)</sup>: 1.00 HV<sup>14)</sup>: 0.93 RB: 0.79 SB: 1.83 TB<sup>15)</sup>: 2.49

- GVM in conformity with registration documents.
- GCM in conformity with registration documents.
- Axle load with standard tyre size.
- Chassis and cab weight calculated with: Standard specification items only with 200 litres of fuel, 25 litres of AdBlue® and driver of 90 kg, tolerance ± 3%. Changing of the specification can have major impact on vehicle weight.
- Other AE dimensions may be available for shown WB. Modify rear overhang to the calculated body length.
- CB is based on standard air intake and/or exhaust.
- Cab height is measured from frame member to closed cab roof hatch. With air intake on cab roof add: 0.14 m (for MX-11); add 0.21 m for MX-13.

- Calculate customer specific body length with TOPEC. Body lengths shown based on evenly distributed load at max axle load.
- Unladen height at centre of driven axle(s).
- Laden height at centre of driven axle(s).
- TK = turning circle between kerbs.
- TW = turning circle between walls.
- Unladen height at centre of front axle(s).
- Laden height at centre of front axle(s).
- TB is overall width at rear. (At lower cab step 255).

Depending on the vehicle configuration a specific option may not be possible. The availability and specification of this vehicle may differ per country. For further information please contact the DAF organisation. Pictures and technical illustrations are not binding in detail and can differ from the standard specification. Subject to modification without prior notice.