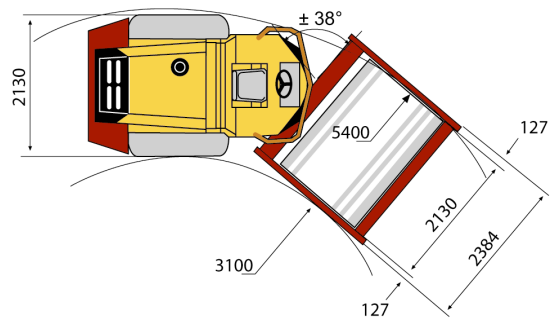
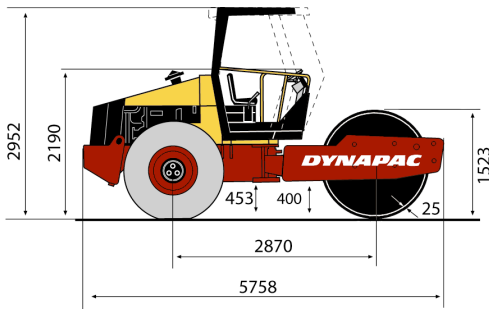


DYNAPAC

Part of the Atlas Copco Group

CA260D



	CA260D
ROPS	13,250 kg 10,700 kg 5,600 kg 5,100 kg
(km/ h)	0-9 ±9° 23,1x26 71 %
/	26.30 kg/ cm 1.70 mm 0.80 mm 33 Hz 33 Hz 246 kN 119 kN
@ ()	Cummins QSB6.7 850 kW 150 hp 2,200 rpm SAE J1995 320 l

Axial piston pump with variable displacement.
Axial piston motor with variable displacement.
Axial piston motor with constant displacement.
Axial piston pump with variable displacement and
Axial piston motor with constant displacement.

/

Failsafe multidisc brake in rear axle.

38 580 2805 118 19 100022 010-65666600 010-65662577
301700 022-82118000 022-82118080 021-52340445 021-5234044

800-818-7188 www.dynapac.com.cn