



ROCK SPLITTER

C20

Machine-guided splitting – safe and extremely productive!



- Best solution through different mounting options
- Easy insertion
- Rotable and versatile
- Lighter than competing products
- For carriers from 5 - 7 tons

darda[®]

We've got the power.

ROCK SPLITTER

C20



- Adjustable splitting direction
- Automatic lubrication of the sliding surfaces

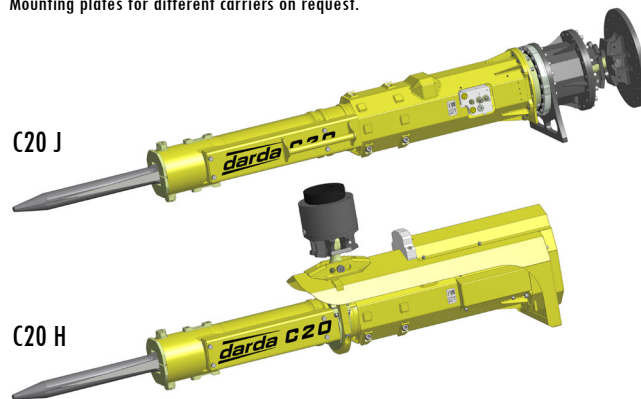
Specifications C20	vertical		horizontal	
Dimensions	C20 C	C20 V	C20 H	C20 J
Total length ^{1, 2}	1628 mm	1833 mm	1790 mm	2110 mm
	64 inches	72 inches	70 inches	83 inches
Total width	304 mm	500 mm	382 mm	400 mm
	12 inches	20 inches	15 inches	16 inches
Total height	462 mm	558 mm	765 mm	410 mm
	18 inches	22 inches	30 inches	16 inches
Weight				
Total weight ²	285 kg	390 kg	395 kg	375 kg
	630 lbs	860 lbs	870 lbs	830 lbs
Recommended device carrier weight	5 - 7 t		11020 - 15430 lbs	
Wedge set				
Length wedge set N / L	500 / 700 mm		20 / 28 inches	
Drill hole diameter	76 mm		3 inches	
Drill hole depth N / L, min.	750 / 950 mm		30 / 38 inches	
Splitting force theoretical N / L	1500 / 1800 t		14.7 MN / 17.7 MN	
Hydraulic connection				
Connection pressure, min.	175 bar		2500 psi	
Connection pressure, max.	270 bar		3900 psi	
Operating pressure	500 bar		7300 psi	
Oil flow, max.	100 l/min		22.7 US gal/min	
Operating material				
Darda Special Lubricant				



C20 C

C20 V

¹ Value with retracted wedge, without mounting plate ² Value without mounting plate with wedge set N
Mounting plates for different carriers on request.



C20 J

C20 H



We've got the power.

Darda GmbH
Im Tal 1, D-78176 Blumberg
Fon + 49 (0) 77 02 / 43 91 - 0
Fax + 49 (0) 77 02 / 43 91 - 12
info@darda.de
www.darda.de

Our distributor: