



Volvo Construction Equipment

SD110

Volvo Single Drum Compactors 11-12 t 99 kW





Balanced weight

Weight is balanced at the drum and at the tires, leading to enhanced traction and gradeability. Enables the drum mass to act together with the dynamic force of the drum amplitude and frequency, leading to fewer passes, reduced voids and maximum compaction.

Exacting compacting

The Volvo SD110 is ready to handle all your compaction applications, from large residential, commercial and industrial site preparation to highways, water retention structures, utilities and more. It's the 11-ton class compactor that gives you powerful drum performance for exacting work with soils and aggregates.



High and low drum amplitude

Features a dual, high and low, amplitude eccentric design which is easily selected by the operator from the control panel. Versatility to adjust the dynamic drum force due to changing conditions.

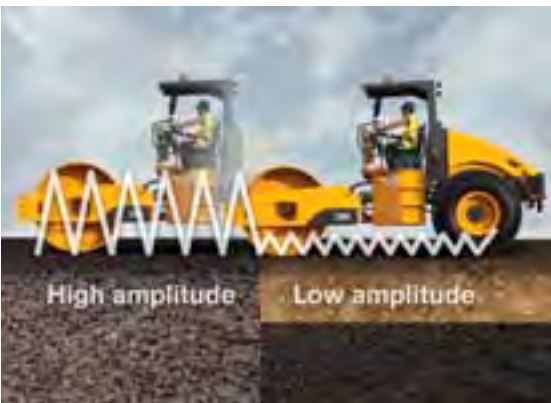


Powerful, efficient Volvo engine

Volvo Tier 3/Stage III D5 engine delivers powerful 133 hp performance. Provides Volvo dependability, efficient operation and environmental emission compliance.

All-around visibility

Provides one meter by one meter visibility all around the machine. Increases jobsite safety between the operator and ground crew personnel, as well a decreased possibility of equipment damage due to bumps and scrapes.



Variable frequencies

Drum vibration frequencies are easily adjustable from the operator's console from 0-30 Hz (0-1,800 rpm). Allows compensation due to changing soil types and conditions, increasing performance and versatility.

Two-speed transmission

Two-speed transmission. Low-speed operation is ideal for jobsite applications. High-speed drive can be selected if increased speeds are required for quick jobsite changes.



Stable maneuverability

Articulation joint delivers greater stability by providing +/- 17 degree oscillation angle, helping to maintain the drum with the surface. Frame articulation of +/- 40 degree improves maneuverability.

Packed with benefits

ROPS/FOPS safety

Provides peace of mind and safety by protecting the operator in the event of machine roll over and/or overhead falling objects.

Two-speed transmission

Hydrostatic axle drive is equipped with a two-speed, variable piston transmission, for optimum work and transport speeds.



High and low drum amplitude

Operator selectable from the control panel, providing a choice between high or low amplitude for application or material depth flexibility.

Clamp-on padfoot shell

Optional shell with scraper bar easily converts the smooth drum into a versatile padfoot drum.



Variable frequencies

Easily and variably adjustable from the operator's console, allowing versatile compensation due to soil types and conditions.



Stable maneuvering

Articulation joint provides +/- 17 degree oscillation angle and frame articulation of +/- 40 degree, for greater stability and maneuverability.





All-around visibility

Excellent all-around visibility increases jobsite safety between personnel, as well a decreased possibility of equipment damage.

Back up alarm

Alarm automatically sounds when the machine is placed into reverse, providing greater operator and site safety.



Powerful Volvo engine

Volvo Tier 3/Stage III engine delivers powerful performance along with dependability, efficiency and environmental emission compliance.

No-spin axles

Heavy-duty, no-spin differential axles provide increased traction and gradeability by restricting the two wheels to the same rotational speed.

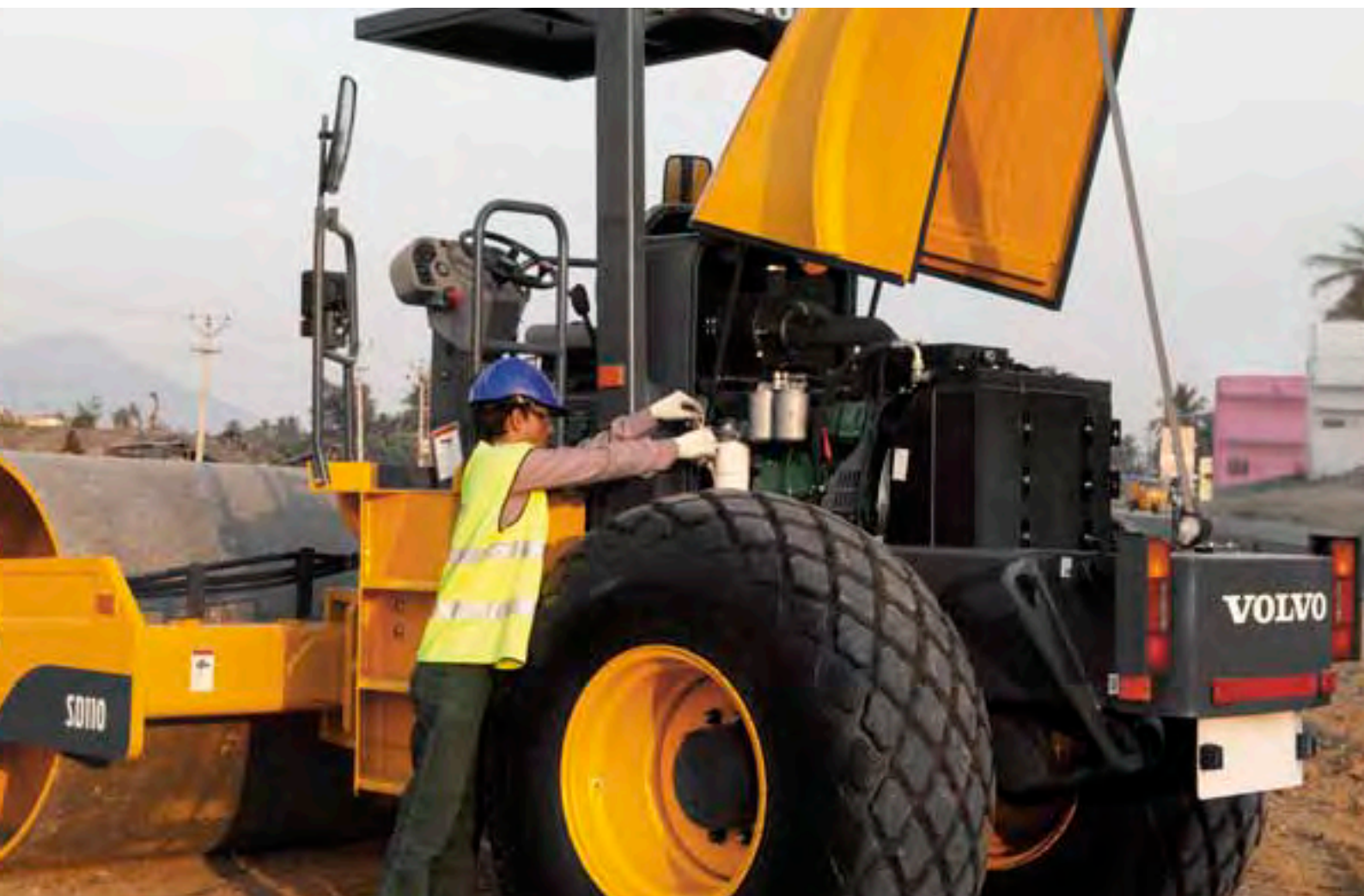


Balanced weight

Weight is balanced at the drum and at the tires, leading to enhanced traction, fewer passes, reduced voids and maximum compaction.

Your access to more

Your local Volvo dealer is always there for you. Volvo backs each and every machine with the most knowledgeable people in the industry. We have the solutions to keep you up, running and earning. Strong, dependable equipment. Trusted industry experience. Reliable, genuine Volvo parts and expert service support. Solutions for all your jobs.



Service & maintenance access

The top-hinged engine hood provides complete and easy access to the engine and hydraulic components. Designed to provide efficient maintenance and inspections with minimal downtime.

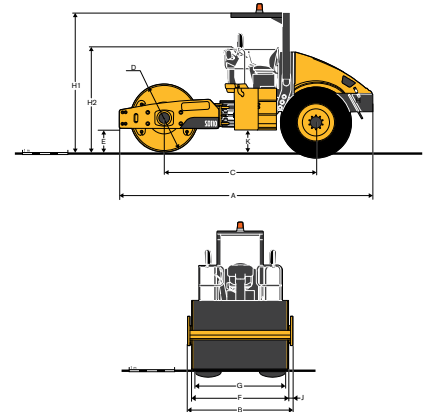
Dealer support comes standard

Your local Volvo dealer backs you and your operation with a ready supply of genuine Volvo parts that are perfectly matched to your machine. Your dealer is also ready to help you stay working with expert, trained service and support.

Specifications

		SD110	SD110 with optional drum drive	SD110P
Machine Weights (inc. ROPS and inside scraper)				
Operating Weight (CECE)	kg	11 125	11 212	11 932
Static Weight @ Drum	kg	6 100	6 240	6 960
Static Weight @ Tires	kg	5 025	4 972	4 972
Shipping Weight	kg	10 876	10 963	11 683
Drum				
Width	mm	2 134	2134	2134
Diameter	mm	1 500	1500	1500
Shell Thickness	mm	25	25	25
Diameter Over Pad Feet	mm	-	-	1 702
Pad Feet	Number of	-	-	120
Pad Height	mm	-	-	102
Pad Tip Area	cm ²	-	-	125
Vibration				
Frequency	Hz	30	30	30
Centrifugal Force	High	kN	245	245
	Low	kN	165	165
Nominal Amplitude	High	mm	1,92	1,59
	Low	mm	1,29	1,06
Propulsion				
Type System	Hydrostatic	Hydrostatic, single-speed motor on planetary axle w/ No-Spin® differential and 2-speed drum drive motor		
Tire Size	587 x 660 (23.1 x 26) – 8PR R3	587 x 660 (23.1 x 26) – 8PR R3	587 x 660 (23.1 x 26) – 8PR R1	
Drum Drive	-	2-speed motor into planetary gear reduction		
Travel Speed				
High	km/h	0 – 11	0 – 13	0 – 13
Low	km/h	0 – 6	0 – 9	0 – 9
Engine				
Make & Model	Volvo D5 DA3			
Engine Type	Turbocharged and Liquid cooled 4-cylinder			
Rated Power @ 2200 Speed	kW	99		
Electrical System				
DC, negative ground	Volt	12		
Alternator	ISKRA, 0118 3181 KZ, 12 Volt			
Batteries	cca	1 000		
Brakes				
Service	-	Dynamic hydrostatic through propulsion system		
Parking / Secondary	Spring-applied, hydraulically released on axle	Spring-applied, hydraulically released on axle and drum drive motors		
Miscellaneous				
Articulation Angle (plus/minus)	°	40	40	40
Oscillation Angle (plus/minus)	°	17	17	17
Inside Turning Radius (to drum edge)	mm	3 652	3 652	3 652
Fuel Capacity	l	270	270	270
Hydraulic Oil Capacity	l	125	125	125
Gradeability (theoretical)	%	28	52	48

Product improvement is a continuing goal at Volvo. Designs and specifications are subject to change without notice or obligation.



DIMENSIONS

A	mm	5 640
B	mm	2 310
C	mm	3 342
D	mm	1 500
E	mm	521
F	mm	2 134
G	mm	2 100
H1	mm	3 090
H2	mm	2 350
J	mm	91
K	mm	512



Clamp-on padfoot shell

Not all products are available in all markets. Under our policy of continuous improvement, we reserve the right to change specifications and design without prior notice. The illustrations do not necessarily show the standard version of the machine.

VOLVO

Volvo Construction Equipment

www.volvoce.com