

Volvo Construction Equipment  
Building Tomorrow



# EC200E

Volvo Crawler Excavators 19.9-24.6 t 156 hp



# Down to business

Introducing the EC200E, a 20-tonne excavator from Volvo Construction Equipment, purpose built to deliver outstanding results in medium duty applications. Working in building, utilities, road construction and more, the EC200E will be the perfect addition to your in-house operation or as part of a rental fleet.

## Optimized engine

Built on decades of experience, the Stage V certified D4 Volvo engine is perfectly optimized to get the best from your EC200E; providing the power, fuel-efficiency and reliability needed to succeed across a wide range of tasks.

## Hydraulic harmony

The hydraulics system, combined with the fully electronic control system and advanced ECO mode, has been optimized to work in harmony to match the engine power, reduce power loss and improve controllability and response time.



## Additional auxiliary hydraulic piping

The machine can be factory fitted with breaker and shear piping (X1), as well as rotator piping (X3). The state-of-the-art auxiliary lines provide the correct flow and pressure for hydraulic attachments, boosting the versatility and productivity of your machine.

## Keep track

Stay in the know with CareTrack, providing real-time telematics data on your machine, including operating hours, location and service alerts. With geo fence and time fence functionality you can specify the location and time parameters your machine can operate within and receive alerts when these pre-defined rules are broken.







# A PURPOSE BUILT 20-TONNER

In the EC200E Volvo has extended its excavator range to offer a 20-tonne machine which combines Volvo quality with exceptional value, to deliver performance and profitability in medium duty applications.





# BUILT TO LAST

When it comes to successful operations uptime is key and you can count on the EC200E to work harder, for longer. The balanced machine design features a robust boom and arm, strong undercarriage, protected components and heavy counterweight to comfortably take on tough work in tough environments.

# Keep on working

All the reliability and engineering excellence you expect from Volvo is built in to the EC200E. A durable design, long service intervals and easy routine maintenance help maximize uptime and keep your machines on site and working their best.

## Easy servicing

Complete routine servicing with speed and ease thanks to a range of features, including grouped filters accessed from the ground-level, foldable guard rails and real-time service alerts. To further improve serviceability the radiator, charged air cooler and hydraulic oil cooler are situated side-by-side on a single layer.



## Proactive machine monitoring

With CareTrack you can access a full portfolio of telematics reports, including machine health reports, helping you stay one step ahead of machine condition and performance. Working independently or with the support of your Volvo dealer, you can use telematics data to minimize the risk of unplanned downtime and ensure your machine is performing at its best.



## Work for longer

With long service intervals for oil and filter changes, the EC200E keeps working uninterrupted with fewer stops, lowering maintenance costs and minimizing disruption to your operation.



# Do more

Maximize productivity and profitability by combining the EC200E with a range of durable attachments. Increase your versatility, access more applications and perform a variety of tasks – all while experiencing faster cycle times and excellent control.

## Steelwrist® Tiltrotator

The tiltrotator can be ordered factory installed with control system and multifunctional joysticks, fully integrated into the machine and in-cab display. A range of dedicated Volvo excavator buckets are available to work in perfect combination with the tiltrotator. (Steelwrist® is a registered trademark of Steelwrist AB.)



## Ditching buckets

Volvo ditching buckets make the perfect partner for landscaping, slope shaping or ditch maintenance. Featuring 45° tilting on both sides, the tiltable ditching bucket is the ideal choice when a clean, smooth grade is required.



## Quick coupler and buckets

Volvo offer a full range of quick couplers, for quick and easy changes between attachments. Attachments such as Volvo buckets, which are the ideal tool for digging in all conditions, whether working with soft, medium or hard materials. Volvo buckets provide maximum productivity and long life and feature original Volvo wear components.



## Breaker

Volvo hydraulic breakers are designed to work in harmony with your Volvo excavator, delivering consistent power and performance – strike after strike. Durable by design and with a range of work tools to suit your operation, Volvo hydraulic breakers are ready to help you succeed in breaking applications.







# A TRUE ALL-ROUNDER

With one machine you can take on many tasks thanks to the outstanding versatility of the EC200E, compatible with a range of attachments and suitable for a host of applications. Mix and match between a wide variety of Volvo attachments, purpose-built to work in harmony with your Volvo machine.



# BUILDING TOMORROW

Volvo is a company working today for a better tomorrow and we do that by putting customers at the heart of our organisation. It's how we have worked for over 180 years and the EC200E continues that tradition, born out of a commitment to provide truly customer-focussed solutions.



# Simply Volvo

The EC200E features all the machine performance, operator comfort, environmental care and safety you expect from Volvo, combined with a comprehensive portfolio of services, to help you get the most from your operation.

## Impressive performance

Whether digging, lifting, swinging, grading or travelling, you can count on the EC200E for the machine performance your operation demands. With power boost, the already impressive lifting and digging forces are increased further, resulting in faster cycle times and optimum productivity.



## Safety first

Every Volvo machine is designed with safety as a priority and the EC200E features a ROPS cab, high visibility handrails, anti-slip steps and easy access to the machine via the right-hand side. Excellent all-around visibility, side view camera and optional Volvo Smart View further help to enhance the safety of operators and those working around the machine.



## The operator's choice

Widely regarded as an industry favourite, the Volvo cab is designed in consultation with operators based on their direct feedback. The outcome is a comfortable low-noise cab, easy-to-use controls and ergonomic layout, helping to keep operators comfortable and productive throughout their entire working shift.



## At your service

More than machines, Volvo offers a comprehensive portfolio of services to complement your machine's performance and boost your profitability. With a range of customer-focused solutions, including fuel efficiency, productivity and uptime services, contact your local dealer to get started with Volvo Services.



# Purpose built performance

## OPERATOR'S CHOICE

- Comfortable low-noise cab
- Easy-to-use controls
- Ergonomic layout

## SAFETY FIRST

- ROPS cab
- High visibility hand rails
- Anti-slip steps and easy access via right-hand side



## EASY SERVICING

- Grouped filters accessed at ground level
- Foldable guard rails
- Long service intervals
- Real-time service alerts
- Single layer cooling system

## IMPRESSIVE PERFORMANCE

- Digging and lifting force
- Power boost
- Fast cycle times



## BUILT TO LAST

- Durable boom and arm
- Protected components
- Heavy counterweight
- Proactive machine monitoring

## DOWN TO BUSINESS

- Purpose built 20 tonne machine
- Optimized engine
- Hydraulic harmony
- ECO Mode
- Optional auxiliary hydraulic piping
- CareTrack machine reports and alerts

## A TRUE ALL-ROUNDER

- Matched Volvo attachments
- Quick coupler
- Breaker
- General Purpose buckets, Ditching buckets
- Tiltrotator



# Volvo EC200E in detail

## Engine

The latest generation, Volvo engine Stage V emissions compliant diesel engine fully meets the demands of the latest, emissions regulations. Featuring Volvo Advanced Combustion Technology (V-ACT), it is designed to deliver superior performance and fuel efficiency. The engine uses precise, high pressure fuel injectors, turbo charger and air-to-air intercooler, and electronic engine controls to optimize machine performance.

- Air Filter: 3-stage with precleaner
- Automatic Idling System: Reduces engine speed to idle when the levers and pedals are not activated resulting in less fuel consumption and low cab noise levels.

Engine	Volvo	D4J
Max power at	r/min	2 000
Net, ISO 9249/SAE J1349	kW	115
	hp	156
Gross, ISO 14396/SAE J1995	kW	115
	hp	156
Max torque	Nm	618
	at engine speed	r/min
No. of cylinders		4
Displacement	l	4.04
	Bore	mm
Stroke	mm	126

## Electrical system

High-capacity electrical system that is well protected. Waterproof double-lock harness plugs are used to secure corrosion-free connections. The main relays and solenoid valves are shielded to prevent damage. The master switch is standard. Contronics provides advanced monitoring of machine functions and important diagnostic information.

Voltage	V	24
Maintenance free Batteries	V	2 x 12
Battery capacity	Ah	100
Alternator	V/A	28/80
Start motor	V - kW	24-5.5

## Swing system

The swing system uses an axial piston motors, driving a planetary gearbox for maximum torque. An automatic holding brake and antirebound valve are standard.

Max. slew speed	r/min	11.5
Max. slew torque	kNm	77.1

## Travel System

Each track is powered by an automatic two-speed shift travel motor. The track brakes are multi-disc, spring-applied and hydraulic released. The travel motor, brake and planetary gears are well protected within the track frame.

Max. drawbar pull	kN	178
Max. travel speed (low)	km/h	3.4
Max. travel speed (high)	km/h	5.6
Gradeability	°	35

## Undercarriage

The undercarriage has a robust X-shaped frame. Greased and sealed track chains are standard.

### EC200E L

Track shoe		2 x 49
Link pitch	mm	190
Shoe width, triple grouser	mm	500/600/700/800/900
Bottom rollers		2 x 8
Top rollers		2 x 2

### EC200E NL

Track shoe		2 x 49
Link pitch	mm	190
Shoe width, triple grouser	mm	500/600/700
Bottom rollers		2 x 8
Top rollers		2 x 2

## Hydraulic system

The new electro-hydraulic system and new MCV (main control valve) use intelligent technology to control on-demand flow for highproductivity, high-digging capacity and excellent fuel consumption.

The following important functions are included in the system:

- "Summation system: Combines the flow of both hydraulic pumps to ensure quick cycle times and high productivity".
- "Boom priority: Gives priority to the boom operation for faster raising when loading or performing deep excavations."
- Arm priority: Gives priority to the arm operation for faster cycle times in leveling and for increased bucket filling when digging.
- Swing priority: Gives priority to swing functions for faster simultaneous operations.

Regeneration system: Prevents cavitation and provides flow to other movements during simultaneous operations for maximum productivity. Power boost: All digging and lifting forces are increased.

Holding valves: Boom and arm holding valves prevent the digging equipment from creeping.

### Main pump : 2 x Variable displacement axial piston pumps

Maximum flow	l/min	2 x 200
--------------	-------	---------

### Pilot pump : Gear pump

Maximum flow	l/min	1 x 20
--------------	-------	--------

### Relief valve setting pressure

Implement	MPa	34.3/36.3
Travel circuit	MPa	34.3
Slew circuit	MPa	27.9
Pilot circuit	MPa	3.9

## Hydraulic Cylinders

Mono boom		2
Bore x Stroke	ø x mm	125 x 1 235
2 piece boom		1
Bore x Stroke	ø x mm	160 x 1 070
Arm		1
Bore x Stroke	ø x mm	135 x 1 540
Bucket		1
Bore x Stroke	ø x mm	120 x 1 065

## Service Refill

Fuel tank	l	330
DEF/AdBlue® tank	l	27
Hydraulic system, total	l	300
Hydraulic tank	l	140
Engine oil	l	17
Engine coolant	l	14
Slew reduction unit	l	5.4
Travel reduction unit	l	2 x 2.5

## Cab

The operator's cab has easy access via a wide door opening. The cab is supported on hydraulic dampening mounts to reduce shock and vibration levels. These along with sound absorbing lining provide low noise levels. The cab has excellent all-round visibility. The front windshield can easily slide up into the ceiling, and the lower front glass can be removed and stored in the side door.

Integrated air-conditioning and heating system:

The pressurized and filtered cab air is supplied by an automatically controlled fan. The air is distributed throughout the cab from 14 vents. Ergonomic operator's seat: The adjustable seat and joystick console move independently to accommodate the operator. The seat has 12 different adjustments plus a seat belt for the operator's comfort and safety. Refrigerant of the type R134a is used when this machine is equipped with air conditioning. Contains fluorinated greenhouse gas R134a, Global Warming Potential 1.430 t CO<sub>2</sub>-eq.

## Sound Level

Sound pressure level in cab according to ISO 6396

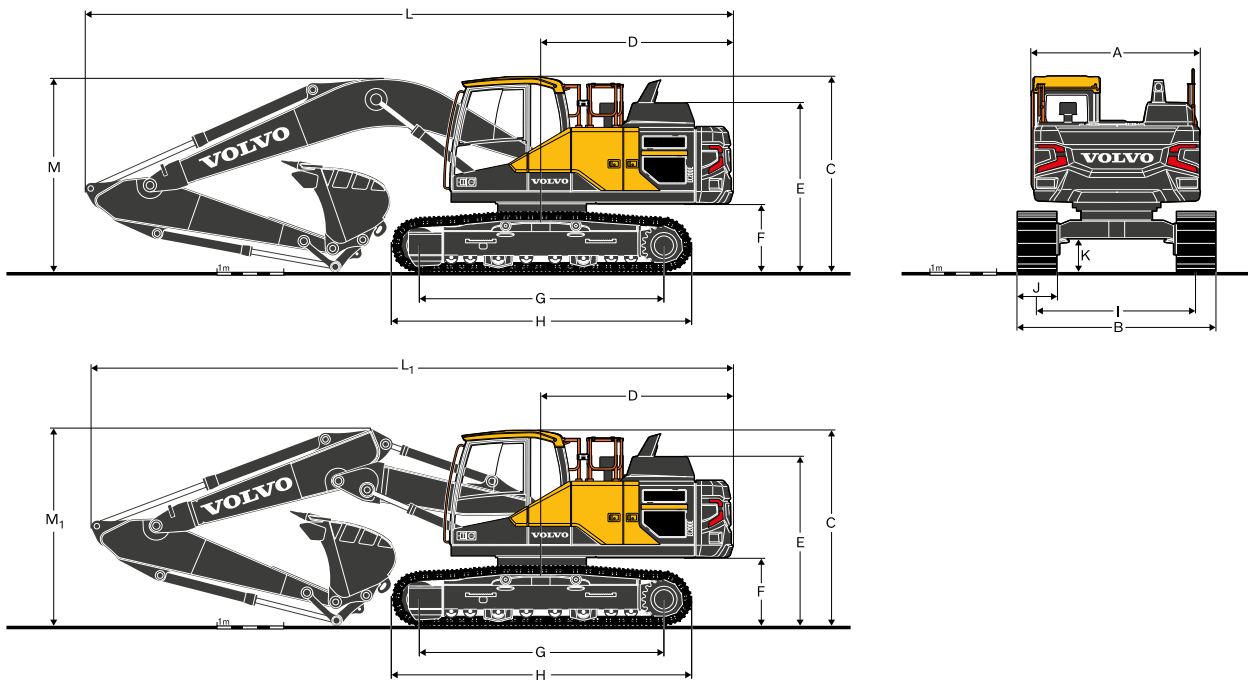
L <sub>pA</sub> (standard)	dB	69
L <sub>pA</sub> (tropical)	dB	70

External sound level according to ISO 6395, EU Noise Directive (2000/14/EC)

L <sub>WA</sub> (standard)	dB	102
L <sub>WA</sub> (tropical)	dB	103



# Specifications

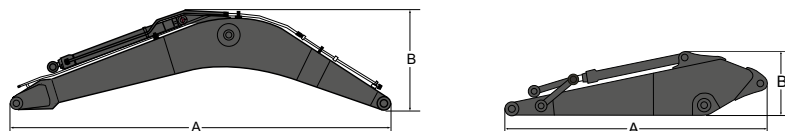


## DIMENSIONS

Description	Unit	EC200E L		EC200E NL	
<b>Boom</b>	<b>m</b>	<b>5.7</b>	<b>5.7</b>	<b>5.7</b>	<b>5.7</b>
<b>Arm</b>	<b>m</b>	<b>2.5</b>	<b>2.9</b>	<b>2.5</b>	<b>2.9</b>
A Overall width of upper structure	mm	2 500	2 500	2 500	2 500
B Overall width	mm	2 990	2 990	2 540	2 540
C Overall height of cab	mm	2 915	2 915	2 915	2 915
D Tail swing radius	mm	2 850	2 850	2 850	2 850
E Overall height of engine hood	mm	2 916	2 916	2 916	2 916
F Counterweight clearance *	mm	1 011	1 011	1 011	1 011
G Tumbler length	mm	3 660	3 660	3 660	3 660
H Track length	mm	4 460	4 460	4 460	4 460
I Track gauge	mm	2 390	2 390	2 040	2 040
J Shoe width	mm	600	600	500	500
K Min. ground clearance *	mm	460	460	460	460
L Overall length	mm	9 750	9 687	9 750	9 687
L <sub>1</sub> Overall length	mm	9 613	9 569	9 613	9 569
M Overall height of boom	mm	3 083	2 950	3 083	2 950
M <sub>1</sub> Overall height of boom	mm	3 070	2 956	3 070	2 956

\* Without shoe grouser

1 refers 2-piece boom



## BOOM AND ARM DIMENSIONS

Description	Unit	Boom		Arm	
		Mono	2-piece	GP	GP
A. Length	mm	5 910	5 780	3 525	3 910
B. Height	mm	1 560	1 400	860	860
Width	mm	670	670	440	440
Weight	kg	1 885	2 603	1 077	1 073

Boom: includes cylinder, piping and pin, excludes boom cyl. Pin

Arm: includes cylinder, linkage and pin

# Specifications

MACHINE WEIGHTS AND GROUND PRESSURE							
Description	Shoe width	Operating weight	Ground pressure	Overall width	Operating weight	Ground pressure	Overall width
	mm	kg	kPa	mm	kg	kPa	mm
		<b>EC200E L</b> 5.7 m mono boom, 2.9 arm, 920 l / 860 kg bucket, 4 200 kg counterweight			<b>EC200E L</b> 5.7 m mono boom, 2.5 arm, 920 l / 860 kg bucket, 4 200 kg counterweight		
<b>Triple grouser</b>	500	21 400	53.0	2 890	21 407	53.0	2 890
	600	21 657	45.1	2 990	21 664	45.1	2 990
	700	22 070	39.2	3 090	22 077	39.2	3 090
	800	22 350	34.3	3 190	22 357	34.3	3 190
	900	22 630	31.4	3 290	22 637	31.4	3 290
<b>Single grouser</b>	600	21 865	45.1	2 990	21 872	45.1	2 990
<b>Double grouser</b>	700	22 373	40.2	3 090	22 380	40.2	3 090
		<b>EC200E L</b> 5.57 m 2-piece boom, 2.9 arm, 920 l / 860 kg bucket, 4 200 kg counterweight			<b>EC200E L</b> 5.57 m 2-piece boom, 2.5 arm, 920 l / 860 kg bucket, 4 200 kg counterweight		
<b>Triple grouser</b>	500	22 120	54.9	2 890	22 127	54.9	2 890
	600	22 377	46.1	2 990	22 384	46.1	2 990
	700	22 790	40.2	3 090	22 797	40.2	3 090
	800	23 070	36.3	3 190	23 077	36.3	3 190
	900	23 350	32.4	3 290	23 357	32.4	3 290
<b>Single grouser</b>	600	22 585	47.1	2 990	22 592	47.1	2 990
<b>Double grouser</b>	700	23 093	41.2	3 090	23 100	41.2	3 090
		<b>EC200E NL</b> 5.7 m mono boom, 2.9 arm, 920 l / 860 kg bucket, 4 200 kg counterweight			<b>EC200E NL</b> 5.7 m mono boom, 2.5 arm, 920 l / 860 kg bucket, 4 200 kg counterweight		
<b>Triple grouser</b>	500	21 297	53.0	2 540	21 304	53.0	2 540
	600	21 554	45.1	2 640	21 561	45.1	2 640
	700	21 967	39.2	2 740	21 974	39.2	2 740
<b>Double grouser</b>	700	22 270	39.2	2 740	22 277	39.2	2 740
		<b>EC200E NL</b> 5.57 m 2-piece boom, 2.9 arm, 920 l / 860 kg bucket, 4 200 kg counterweight			<b>EC200E NL</b> 5.57 m 2-piece boom, 2.5 arm, 920 l / 860 kg bucket, 4 200 kg counterweight		
<b>Triple grouser</b>	500	22 017	54.9	2 540	22 024	54.9	2 540
	600	22 274	46.1	2 640	22 281	46.1	2 640
	700	22 687	40.2	2 740	22 694	40.2	2 740
<b>Double grouser</b>	700	22 990	41.2	2 740	22 997	41.2	2 740

## MAX. PERMITTED BUCKET

Note: 1. bucket size based on ISO 7451, heaped material with a 1:1 angle of repose. 2. "Max. permitted sizes" are for reference only and are not necessarily available from the factory. 3. bucket widths are less than bucket's tip radius.

### EC200E L with 4 200kg counterweight

	5.7 m Boom, Direct Fit					5.7 m Boom, Quick Coupler			
	2.5m Arm		2.9m Arm		2.5m Arm		2.9m Arm		
	volume(l)	weight(kg)	volume(l)	weight(kg)	volume(l)	weight(kg)	volume(l)	weight(kg)	
<b>GP Bucket</b>	1.5	1 430	1 200	1 280	1 050	1 300	1 100	1 200	1 000
	1.8	1 280	1 050	1 200	1 000	1 150	950	1 000	850
<b>HD Bucket</b>	1.8	1 200	1 200	1 050	1 050	1 080	1 050	950	950
	2	1 150	1 150	1 000	1 000	1 000	1 000	900	900

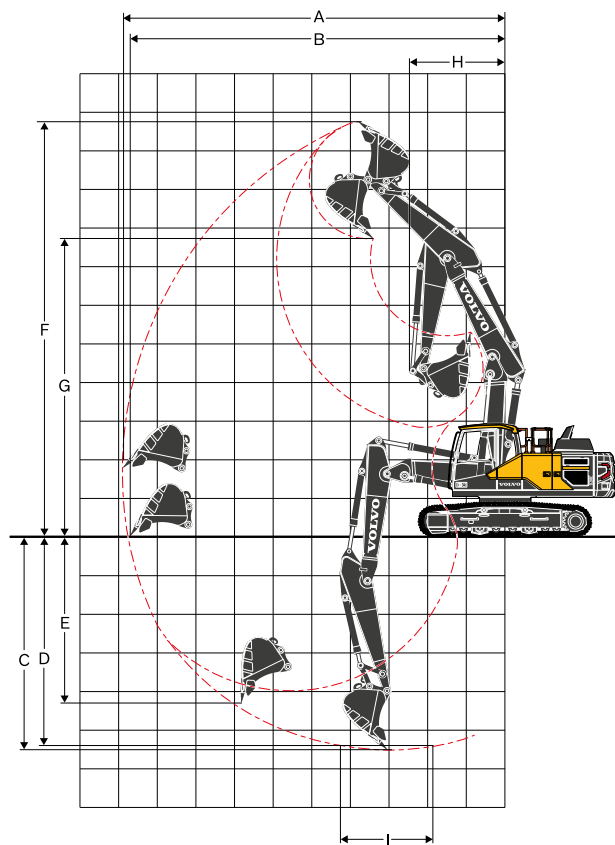
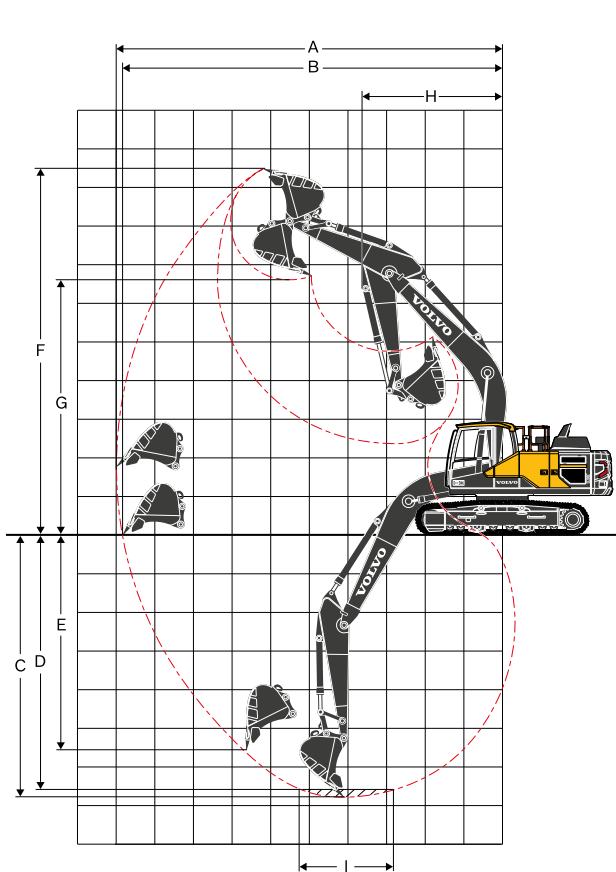
	5.57 m VA Boom, Direct Fit					5.57 m VA Boom, Quick Coupler			
	2.5m Arm		2.9m Arm		2.5m Arm		2.9m Arm		
	volume(l)	weight(kg)	volume(l)	weight(kg)	volume(l)	weight(kg)	volume(l)	weight(kg)	
<b>GP Bucket</b>	1.5	1 400	1 200	1 250	1 050	1 270	1 050	1 120	950
	1.8	1 250	1 050	1 120	950	1 120	950	1 000	850
<b>HD Bucket</b>	1.8	1 150	1 150	1 100	1 100	1 050	1 050	950	950
	2	1 100	1 100	900	900	950	950	870	850

### EC200E NL with 4 200kg counterweight

	5.7 m Boom, Direct Fit					5.7 m Boom, Quick Coupler			
	2.5m Arm		2.9m Arm		2.5m Arm		2.9m Arm		
	volume(l)	weight(kg)	volume(l)	weight(kg)	volume(l)	weight(kg)	volume(l)	weight(kg)	
<b>GP Bucket</b>	1.5	1 300	1 100	1 230	1 050	1 170	1 000	1 050	850
	1.8	1 150	950	1 100	930	1 050	880	970	820
<b>HD Bucket</b>	1.8	1 100	1 100	1 030	1 030	980	980	920	920
	2	1 030	1 030	960	960	920	920	860	860

	5.57 m VA Boom, Direct Fit					5.57 m VA Boom, Quick Coupler			
	2.5m Arm		2.9m Arm		2.5m Arm		2.9m Arm		
	volume(l)	weight(kg)	volume(l)	weight(kg)	volume(l)	weight(kg)	volume(l)	weight(kg)	
<b>GP Bucket</b>	1.5	1 270	1 050	1 200	950	1 130	950	1 000	850
	1.8	1 130	950	1 050	880	1 000	850	940	800
<b>HD Bucket</b>	1.8	1 050	1 050	1 000	1 000	950	950	890	890
	2	1 000	1 000	940	940	890	890	830	830





### WORKING RANGES WITH DIRECT FIT BUCKET

Description		Unit	EC200E L, NL		EC200E L, NL	
Boom		m	5.7 m mono boom		5.57 m 2-piece boom	
Arm		m	2.5	2.9	2.5	2.9
A	Max. digging reach	mm	9 605	9 993	9 505	9 896
B	Max. digging reach on ground	mm	9 435	9 829	9 333	9 730
C	Max. digging depth	mm	6 380	6 781	5 105	5 507
D	Max. digging depth (2.44 m level)	mm	6 163	6 592	4 993	5 402
E	Max. vertical wall digging depth	mm	5 095	5 560	3 880	4 295
F	Max. cutting height	mm	9 248	9 488	10 432	10 754
G	Max. dumping height	mm	6 373	6 600	7 405	7 722
H	Min. front swing radius	mm	3 585	3 642	2 733	2 460

### DIGGING FORCES WITH DIRECT FIT BUCKET

Bucket radius		mm	1 528	1 528	1 528	1 528	
Breakout force (bucket)	Normal	SAE J1179	kN	125	125	125	125
	Power boost	SAE J1179	kN	132	132	132	132
	Normal	ISO 6015	kN	141	141	141	141
	Power boost	ISO 6015	kN	149	149	149	149
Tearout force (arm)	Normal	SAE J1179	kN	117	101	117	101
	Power boost	SAE J1179	kN	124	107	124	107
	Normal	ISO 6015	kN	121	104	121	104
	Power boost	ISO 6015	kN	128	110	128	110
Rotation angle, bucket		°		175	175	175	175

# Specifications

## BUCKET SELECTION GUIDE

Bucket type				Capacity	Cutting width	Weight	Teeth	Recommended maximum material density (kg/m <sup>3</sup> )								
								EC200E LC with 4 200 kg counterweight				EC200E NLC with 4 200 kg counterweight				
								5.7 m Boom		5.57 m VA Boom		5.7 m Boom		5.57 m VA Boom		
								2.5 m Arm	2.9 m Arm	2.5 m Arm	2.9 m Arm	2.5 m Arm	2.9 m Arm	2.5 m Arm	2.9 m Arm	
DF Buckets	Without Quick Coupler	V4	GP	480	600	666	3	1800	1800	1800	1800	1800	1800	1800	1800	
				590	750	712	3	1800	1800	1800	1800	1800	1800	1800	1800	
				750	900	792	4	1800	1800	1800	1800	1800	1800	1800	1800	
				920	1050	862	4	1800	1800	1800	1800	1800	1800	1800	1800	
			1090	1200	951	5	1800	1800	1800	1800	1800	1700	1800	1700		
			1270	1350	1036	5	1800	1600	1700	1600	1600	1400	1500	1400		
			HD	480	600	738	3	2100	2100	2100	2100	2100	2100	2100	2100	
				480	600	675	3	2100	2100	2100	2100	2100	2100	2100	2100	
		750		900	872	4	2100	2100	2100	2100	2100	2100	2100	2100		
		750		900	809	4	2100	2100	2100	2100	2100	2100	2100	2100		
		TD	920	1050	952	4	2100	2100	2100	2100	2100	2100	2100	2000		
			920	1050	889	4	2100	2100	2100	2100	2100	2100	2100	2100		
			1090	1200	1047	5	2100	1900	2000	1900	1800	1700	1700	1600		
			1090	1200	984	5	2100	2000	2100	1900	1900	1700	1800	1600		
		DF Buckets	U22 coupler	V4	GP	480	600	666	3	1800	1800	1800	1800	1800	1800	1800
						590	750	712	3	1800	1800	1800	1800	1800	1800	1800
750	900					792	4	1800	1800	1800	1800	1800	1800	1800	1800	
920	1050					862	4	1800	1800	1800	1800	1800	1800	1800	1700	
1090	1200				951	5	1800	1700	1800	1600	1600	1400	1500	1400		
1270	1350				1036	5	1600	1400	1500	1300	1300	1200	1200	1100		
HD	480				600	738	3	2100	2100	2100	2100	2100	2100	2100	2100	
	480				600	675	3	2100	2100	2100	2100	2100	2100	2100	2100	
	750			900	872	4	2100	2100	2100	2100	2100	2100	2100	2100		
	750			900	809	4	2100	2100	2100	2100	2100	2100	2100	2100		
TD	920			1050	952	4	2100	2000	2100	2000	1900	1700	1800	1600		
	920			1050	889	4	2100	2100	2100	2000	2000	1800	1900	1700		
	1090			1200	1047	5	1800	1600	1700	1600	1500	1400	1500	1300		
	1090			1200	984	5	1900	1700	1800	1600	1600	1400	1500	1300		
Quick Coupler Buckets	S70 quick coupler			V4	GP	630	800	720	4	1800	1800	1800	1800	1800	1800	1800
						750	900	766	4	1800	1800	1800	1800	1800	1800	1800
		920	1050			836	4	1800	1800	1800	1800	1800	1800	1800	1800	
		1090	1200			925	5	1800	1800	1800	1800	1700	1600	1700	1500	
		1270	1350		1012	5	1700	1500	1600	1400	1400	1300	1400	1200		
		TD	700		2000	1009	N	1600	1600	1600	1600	1600	1600	1600	1600	
		V6	GPX		1100	1170	969	4	1800	1800	1800	1700	1700	1500	1600	1500
					1200	1250	1013	4	1800	1600	1700	1500	1500	1400	1400	1300
			1300	1330	1072	4	1600	1400	1500	1400	1300	1200	1300	1100		
			HDX	1100	1170	1090	4	1900	1700	1800	1600	1600	1400	1500	1300	
		1200		1250	1136	4	1700	1500	1600	1400	1400	1200	1300	1200		
		CAX	1300	1330	1183	4	1500	1300	1400	1300	1300	1100	1200	1100		
			650	800	686	N	1800	1800	1800	1800	1800	1800	1800	1800		
		TGX	360	570	534	N	1800	1800	1800	1800	1800	1800	1800	1800		
			1330	2000	935	N	1600	1500	1600	1400	1400	1300	1400	1200		
				1150	1800	840	N	1600	1600	1600	1600	1600	1600	1500		

Please consult with your Volvo dealer for the proper match of buckets and attachments to suit the application.

(In case of using bigger bucket than regional standard MRS, consultation with R&D is highly recommended)

The recommendations are given as a guide only, based on typical operation conditions.

Bucket capacity based on ISO 7451, heaped material with a 1:1 angle of repose.

Maximum load : Payload, bucket and additional tools such as quick coupler, rotator, ...

VA Boom : Variable angle boom or two-piece boom

### Maximum material density

1 200~1 300 kg/m <sup>3</sup>	Coal, Caliche, Shale
1 400~1 600 kg/m <sup>3</sup>	Wet earth and clay, Limestone, Sandstone
1 700~1 800 kg/m <sup>3</sup>	Granite, Wet sand, Well blasted rock
1 900 kg/m <sup>3</sup> ~	Wet mud, Iron ore



**LIFTING CAPACITY EC200E L**

Lifting capacity at the arm end without bucket.

For lifting capacity including bucket, simply subtract actual weight of the direct fit bucket or the bucket with quick coupler from the following values.

	Lifting hook related to ground level	1.5 m		3.0 m		4.5 m		6.0 m		7.5 m		Max. reach		Max. m
		Along UC	Across UC	Along UC	Across UC	Along UC	Across UC	Along UC	Across UC	Along UC	Across UC	Along UC	Across UC	
Boom: 5.7 m GP	7.5 m kg											*5 650	*5 650	5.6
Arm: 2.5 m GP	6.0 m kg							*5 480	5 150			*5 580	4 100	6.9
Shoe: 500 mm	4.5 m kg					*6 970	*6 970	*6 000	4 990	5 380	3 480	5 260	3 400	7.6
CWT: 4 200 kg	3.0 m kg					*8 990	7 230	*6 880	4 740	5 280	3 390	4 780	3 070	8.0
	1.5 m kg					*10 740	6 740	7 220	4 510	5 160	3 280	4 620	2 940	8.1
	0 m kg					11 180	6 520	7 050	4 360	5 080	3 210	4 740	3 000	7.9
	-1.5 m kg			*10 840	*10 840	11 140	6 490	7 000	4 310			5 210	3 280	7.4
	-3.0 m kg			*14 710	12 950	*10 530	6 600	7 080	4 380			6 370	3 990	6.5
	-4.5 m kg			*11 360	*11 360	*8 110	6 890					*7 130	6 000	5.0
Boom: 5.7 m GP	7.5 m kg											*5 650	*5 650	5.6
Arm: 2.5 m GP	6.0 m kg							*5 480	5 210			*5 580	4 150	6.9
Shoe: 600 mm	4.5 m kg					*6 970	*6 970	*6 000	5 040	5 440	3 520	5 320	3 440	7.6
CWT: 4 200 kg	3.0 m kg					*8 990	7 310	*6 880	4 800	5 340	3 430	4 840	3 100	8.0
	1.5 m kg					*10 740	6 820	7 310	4 560	5 220	3 320	4 680	2 980	8.1
	0 m kg					11 310	6 600	7 140	4 410	5 140	3 250	4 800	3 040	7.9
	-1.5 m kg			*10 840	*10 840	11 280	6 570	7 090	4 360			5 280	3 330	7.4
	-3.0 m kg			*14 710	13 100	*10 530	6 680	7 170	4 440			6 450	4 030	6.5
	-4.5 m kg			*11 360	*11 360	*8 110	6 970					*7 130	6 070	5.0
Boom: 5.7 m GP	7.5 m kg											*5 650	*5 650	5.6
Arm: 2.5 m GP	6.0 m kg							*5 480	5 290			*5 580	4 220	6.9
Shoe: 700 mm	4.5 m kg					*6 970	*6 970	*6 000	5 130	5 550	3 580	5 430	3 500	7.6
CWT: 4 200 kg	3.0 m kg					*8 990	7 430	*6 880	4 880	5 450	3 490	4 930	3 160	8.0
	1.5 m kg					*10 740	6 940	7 450	4 650	5 330	3 380	4 770	3 040	8.1
	0 m kg					*11 530	6 720	7 280	4 490	5 250	3 310	4 900	3 100	7.9
	-1.5 m kg			*10 840	*10 840	*11 440	6 700	7 230	4 450			5 380	3 390	7.4
	-3.0 m kg			*14 710	13 330	*10 530	6 800	7 310	4 520			6 580	4 110	6.5
	-4.5 m kg			*11 360	*11 360	*8 110	7 090					*7 130	6 180	5.0
Boom: 5.7 m GP	7.5 m kg											*5 650	*5 650	5.6
Arm: 2.5 m GP	6.0 m kg							*5 480	5 350			*5 580	4 260	6.9
Shoe: 800 mm	4.5 m kg					*6 970	*6 970	*6 000	5 190	5 620	3 630	5 500	3 550	7.6
CWT: 4 200 kg	3.0 m kg					*8 990	7 510	*6 880	4 940	5 520	3 540	5 000	3 200	8.0
	1.5 m kg					*10 740	7 030	7 550	4 700	5 400	3 430	4 840	3 080	8.1
	0 m kg					*11 530	6 810	7 380	4 550	5 320	3 350	4 960	3 140	7.9
	-1.5 m kg			*10 840	*10 840	*11 440	6 780	7 320	4 500			5 460	3 440	7.4
	-3.0 m kg			*14 710	13 490	*10 530	6 880	7 410	4 580			6 660	4 160	6.5
	-4.5 m kg			*11 360	*11 360	*8 110	7 180					*7 130	6 250	5.0
Boom: 5.7 m GP	7.5 m kg											*5 650	*5 650	5.6
Arm: 2.5 m GP	6.0 m kg							*5 480	5 410			*5 580	4 310	6.9
Shoe: 900 mm	4.5 m kg					*6 970	*6 970	*6 000	5 240	*5 660	3 670	5 570	3 590	7.6
CWT: 4 200 kg	3.0 m kg					*8 990	7 600	*6 880	5 000	5 590	3 580	5 060	3 240	8.0
	1.5 m kg					*10 740	7 110	7 650	4 760	5 470	3 470	4 900	3 120	8.1
	0 m kg					*11 530	6 890	7 470	4 610	5 390	3 400	5 030	3 180	7.9
	-1.5 m kg			*10 840	*10 840	*11 440	6 860	7 420	4 560			5 530	3 480	7.4
	-3.0 m kg			*14 710	13 640	*10 530	6 970	7 510	4 640			6 750	4 210	6.5
	-4.5 m kg			*11 360	*11 360	*8 110	7 260					*7 130	6 330	5.0

Notes: 1. Machine in "Fine Mode-F" (Power Boost) for lifting capacities. 2. The above loads are in compliance with SAE J1097 and ISO 10567 Hydraulic Excavator Lifting Capacity Standards. 3. Rated loads do not exceed 87% of hydraulic lifting capacity or 75% of tipping load. 4. Rated loads marked with an asterisk (\*) are limited by hydraulic capacity rather than tipping load.

# Specifications

## LIFTING CAPACITY EC200E L

Lifting capacity at the arm end without bucket.

For lifting capacity including bucket, simply subtract actual weight of the direct fit bucket or the bucket with quick coupler from the following values.

	Lifting hook related to ground level	1.5 m		3.0 m		4.5 m		6.0 m		7.5 m		Max. reach		Max. m
		Along UC	Across UC	Along UC	Across UC	Along UC	Across UC	Along UC	Across UC	Along UC	Across UC	Along UC	Across UC	
Boom: 5.57 m 2-piece	7.5 m kg											*5 540	*5 540	5.6
Arm: 2.5 m GP	6.0 m kg							*5 370	5 160			*5 460	4 070	6.9
Shoe: 500 mm	4.5 m kg					*6 850	*6 850	*5 870	4 980	5 380	3 440	5 260	3 360	7.6
CWT: 4 200 kg	3.0 m kg					*8 790	7 180	*6 730	4 700	5 270	3 330	4 760	3 010	8.0
	1.5 m kg					*10 490	6 620	7 200	4 430	5 130	3 210	4 590	2 880	8.1
	0 m kg					11 100	6 380	7 010	4 260	5 040	3 130	4 700	2 930	7.9
	-1.5 m kg			*10 840	*10 840	11 070	6 350	6 950	4 210			5 180	3 210	7.4
	-3.0 m kg			*14 340	12 750	*10 270	6 470	7 050	4 300			6 340	3 910	6.5
	-4.5 m kg			*11 040	*11 040	*7 890	6 810					*6 930	5 930	5.0
Boom: 5.57 m 2-piece	7.5 m kg											*5 540	*5 540	5.6
Arm: 2.5 m GP	6.0 m kg							*5 370	5 210			*5 460	4 120	6.9
Shoe: 600 mm	4.5 m kg					*6 850	*6 850	*5 870	5 030	5 440	3 480	5 320	3 400	7.6
CWT: 4 200 kg	3.0 m kg					*8 790	7 250	*6 730	4 750	5 330	3 370	4 820	3 050	8.0
	1.5 m kg					*10 490	6 700	7 290	4 480	5 200	3 250	4 650	2 910	8.1
	0 m kg					11 240	6 450	7 100	4 310	5 110	3 170	4 770	2 970	7.9
	-1.5 m kg			*10 840	*10 840	*11 170	6 430	7 040	4 260			5 240	3 250	7.4
	-3.0 m kg			*14 340	12 900	*10 270	6 550	7 140	4 350			6 420	3 960	6.5
	-4.5 m kg			*11 040	*11 040	*7 890	6 880					*6 930	6 000	5.0
Boom: 5.57 m 2-piece	7.5 m kg											*5 540	*5 540	5.6
Arm: 2.5 m GP	6.0 m kg							*5 370	5 300			*5 460	4 190	6.9
Shoe: 700 mm	4.5 m kg					*6 850	*6 850	*5 870	5 110	*5 530	3 540	5 430	3 460	7.6
CWT: 4 200 kg	3.0 m kg					*8 790	7 380	*6 730	4 830	5 440	3 440	4 920	3 100	8.0
	1.5 m kg					*10 490	6 830	7 430	4 570	5 300	3 320	4 740	2 970	8.1
	0 m kg					*11 250	6 580	7 240	4 400	5 210	3 230	4 860	3 030	7.9
	-1.5 m kg			*10 840	*10 840	*11 170	6 550	7 180	4 350			5 350	3 320	7.4
	-3.0 m kg			*14 340	13 130	*10 270	6 670	7 280	4 430			6 550	4 030	6.5
	-4.5 m kg			*11 040	*11 040	*7 890	7 010					*6 930	6 110	5.0
Boom: 5.57 m 2-piece	7.5 m kg											*5 540	*5 540	5.6
Arm: 2.5 m GP	6.0 m kg							*5 370	5 350			*5 460	4 240	6.9
Shoe: 800 mm	4.5 m kg					*6 850	*6 850	*5 870	5 170	*5 530	3 580	5 490	3 500	7.6
CWT: 4 200 kg	3.0 m kg					*8 790	7 460	*6 730	4 890	5 510	3 480	4 980	3 140	8.0
	1.5 m kg					*10 490	6 910	7 530	4 630	5 370	3 360	4 810	3 010	8.1
	0 m kg					*11 250	6 660	7 330	4 450	5 280	3 280	4 930	3 070	7.9
	-1.5 m kg			*10 840	*10 840	*11 170	6 630	7 280	4 400			5 420	3 360	7.4
	-3.0 m kg			*14 340	13 290	*10 270	6 760	7 380	4 490			6 640	4 090	6.5
	-4.5 m kg			*11 040	*11 040	*7 890	7 090					*6 930	6 180	5.0
Boom: 5.57 m 2-piece	7.5 m kg											*5 540	*5 540	5.6
Arm: 2.5 m GP	6.0 m kg							*5 370	*5 370			*5 460	4 290	6.9
Shoe: 900 mm	4.5 m kg					*6 850	*6 850	*5 870	5 230	*5 530	3 630	*5 530	3 540	7.6
CWT: 4 200 kg	3.0 m kg					*8 790	7 540	*6 730	4 950	5 580	3 520	5 050	3 180	8.0
	1.5 m kg					*10 490	6 990	*7 590	4 680	5 440	3 400	4 870	3 050	8.1
	0 m kg					*11 250	6 750	7 430	4 510	5 350	3 320	5 000	3 110	7.9
	-1.5 m kg			*10 840	*10 840	*11 170	6 720	7 370	4 460			5 500	3 400	7.4
	-3.0 m kg			*14 340	13 440	*10 270	6 840	7 470	4 550			6 720	4 140	6.5
	-4.5 m kg			*11 040	*11 040	*7 890	7 180					*6 930	6 260	5.0

Notes: 1. Machine in "Fine Mode-F" (Power Boost) for lifting capacities. 2. The above loads are in compliance with SAE J1097 and ISO 10567 Hydraulic Excavator Lifting Capacity Standards. 3. Rated loads do not exceed 87% of hydraulic lifting capacity or 75% of tipping load. 4. Rated loads marked with an asterisk (\*) are limited by hydraulic capacity rather than tipping load.



## LIFTING CAPACITY EC200E L

Lifting capacity at the arm end without bucket.

For lifting capacity including bucket, simply subtract actual weight of the direct fit bucket or the bucket with quick coupler from the following values.

	Lifting hook related to ground level	1.5 m		3.0 m		4.5 m		6.0 m		7.5 m		Max. reach		Max. m
		Along UC	Across UC	Along UC	Across UC	Along UC	Across UC	Along UC	Across UC	Along UC	Across UC	Along UC	Across UC	
Boom: 5.7 m GP	7.5 m kg							*5 170	*5 170			*4 910	*4 910	6.2
Arm: 2.9 m GP	6.0 m kg							*5 070	*5 070			*4 570	3 740	7.3
Shoe: 500 mm	4.5 m kg							*5 650	5 080	*5 340	3 540	*4 520	3 170	8.0
CWT: 4 200 kg	3.0 m kg					*8 430	7 390	*6 580	4 820	5 330	3 440	4 470	2 870	8.4
	1.5 m kg					*10 350	6 860	7 290	4 570	5 190	3 310	4 330	2 770	8.5
	0 m kg			*5 420	*5 420	11 240	6 580	7 090	4 390	5 090	3 220	4 420	2 810	8.3
	-1.5 m kg	*6 270	*6 270	*10 320	*10 320	11 150	6 500	7 000	4 320	5 060	3 190	4 410	3 040	7.8
	-3.0 m kg	*11 380	*11 380	*15 630	12 860	*10 910	6 570	7 050	4 350			5 710	3 600	6.9
	-4.5 m kg			*12 710	*12 710	*9 030	6 790					*6 900	5 020	5.6
Boom: 5.7 m GP	7.5 m kg							*5 170	*5 170			*4 910	*4 910	6.2
Arm: 2.9 m GP	6.0 m kg							*5 070	*5 070			*4 570	3 780	7.3
Shoe: 600 mm	4.5 m kg							*5 650	5 130	*5 340	3 580	*4 520	3 200	8.0
CWT: 4 200 kg	3.0 m kg					*8 430	7 470	*6 580	4 870	5 400	3 480	4 530	2 910	8.4
	1.5 m kg					*10 350	6 940	7 380	4 620	5 260	3 350	4 390	2 800	8.5
	0 m kg			*5 420	*5 420	11 390	6 660	7 180	4 440	5 160	3 260	4 480	2 850	8.3
	-1.5 m kg	*6 270	*6 270	*10 320	*10 320	11 300	6 580	7 100	4 370	5 130	3 230	4 870	3 080	7.8
	-3.0 m kg	*11 380	*11 380	*15 630	13 000	*10 910	6 650	7 140	4 400			5 790	3 640	6.9
	-4.5 m kg			*12 710	*12 710	*9 030	6 870					*6 900	5 080	5.6
Boom: 5.7 m GP	7.5 m kg							*5 170	*5 170			*4 910	*4 910	6.2
Arm: 2.9 m GP	6.0 m kg							*5 070	*5 070			*4 570	3 850	7.3
Shoe: 700 mm	4.5 m kg							*5 650	5 210	*5 340	3 650	*4 520	3 260	8.0
CWT: 4 200 kg	3.0 m kg					*8 430	7 600	*6 580	4 960	5 500	3 540	4 610	2 970	8.4
	1.5 m kg					*10 350	7 070	7 520	4 710	5 360	3 420	4 470	2 860	8.5
	0 m kg			*5 420	*5 420	*11 410	6 780	7 320	4 530	5 260	3 320	4 570	2 900	8.3
	-1.5 m kg	*6 270	*6 270	*10 320	*10 320	11 510	6 700	7 240	4 450	5 230	3 300	4 970	3 140	7.8
	-3.0 m kg	*11 380	*11 380	*15 630	13 240	*10 910	6 770	7 280	4 490			5 900	3 710	6.9
	-4.5 m kg			*12 710	*12 710	*9 030	6 990					*6 900	5 180	5.6
Boom: 5.7 m GP	7.5 m kg							*5 170	*5 170			*4 910	*4 910	6.2
Arm: 2.9 m GP	6.0 m kg							*5 070	*5 070			*4 570	3 890	7.3
Shoe: 800 mm	4.5 m kg							*5 650	5 270	*5 340	3 690	*4 520	3 300	8.0
CWT: 4 200 kg	3.0 m kg					*8 430	7 680	*6 580	5 010	5 570	3 580	*4 640	3 000	8.4
	1.5 m kg					*10 350	7 150	*7 550	4 760	5 430	3 460	4 530	2 890	8.5
	0 m kg			*5 420	*5 420	*11 410	6 860	7 420	4 580	5 330	3 370	4 630	2 940	8.3
	-1.5 m kg	*6 270	*6 270	*10 320	*10 320	*11 570	6 790	7 330	4 510	5 300	3 340	5 040	3 180	7.8
	-3.0 m kg	*11 380	*11 380	*15 630	13 390	*10 910	6 850	7 370	4 550			5 980	3 760	6.9
	-4.5 m kg			*12 710	*12 710	*9 030	7 080					*6 900	5 240	5.6
Boom: 5.7 m GP	7.5 m kg							*5 170	*5 170			*4 910	*4 910	6.2
Arm: 2.9 m GP	6.0 m kg							*5 070	*5 070			*4 570	3 940	7.3
Shoe: 900 mm	4.5 m kg							*5 650	5 330	*5 340	3 730	*4 520	3 340	8.0
CWT: 4 200 kg	3.0 m kg					*8 430	7 760	*6 580	5 070	5 640	3 630	*4 640	3 040	8.4
	1.5 m kg					*10 350	7 230	*7 550	4 820	5 500	3 500	4 590	2 930	8.5
	0 m kg			*5 420	*5 420	*11 410	6 950	7 510	4 640	5 400	3 410	4 700	2 980	8.3
	-1.5 m kg	*6 270	*6 270	*10 320	*10 320	*11 570	6 870	7 430	4 570	5 370	3 380	5 100	3 220	7.8
	-3.0 m kg	*11 380	*11 380	*15 630	13 550	*10 910	6 940	7 470	4 600			6 060	3 810	6.9
	-4.5 m kg			*12 710	*12 710	*9 030	7 160					*6 900	5 300	5.6

Notes: 1. Machine in "Fine Mode-F" (Power Boost) for lifting capacities. 2. The above loads are in compliance with SAE J1097 and ISO 10567 Hydraulic Excavator Lifting Capacity Standards. 3. Rated loads do not exceed 87% of hydraulic lifting capacity or 75% of tipping load. 4. Rated loads marked with an asterisk (\*) are limited by hydraulic capacity rather than tipping load.

# Specifications

## LIFTING CAPACITY EC200E L

Lifting capacity at the arm end without bucket.

For lifting capacity including bucket, simply subtract actual weight of the direct fit bucket or the bucket with quick coupler from the following values.

	Lifting hook related to ground level	1.5 m		3.0 m		4.5 m		6.0 m		7.5 m		Max. reach		Max. m
		Along UC	Across UC	Along UC	Across UC	Along UC	Across UC	Along UC	Across UC	Along UC	Across UC	Along UC	Across UC	
Boom: 5.57 m 2-piece	7.5 m kg							*5 080	*5 080			*4 910	*4 910	6.2
Arm: 2.9 m GP	6.0 m kg							*4 970	*4 970			*4 570	3 720	7.3
Shoe: 500 mm	4.5 m kg							*5 530	5 070	*5 220	3 510	*4 520	3 120	8.0
CWT: 4 200 kg	3.0 m kg					*8 250	7 360	*6 430	4 790	5 330	3 390	4 450	2 820	8.4
	1.5 m kg					*10 110	6 760	7 280	4 500	5 170	3 250	4 300	2 700	8.5
	0 m kg			*5 420	*5 420	*11 140	6 440	7 050	4 300	5 060	3 150	4 390	2 740	8.3
	-1.5 m kg	*6 270	*6 270	*10 320	*10 320	*11 080	6 360	6 960	4 220	5 030	3 120	4 770	2 970	7.8
	-3.0 m kg	*11 380	*11 380	*15 250	12 640	*10 640	6 440	7 010	4 260			5 690	3 520	6.9
	-4.5 m kg			*12 370	*12 370	*8 790	6 690					*6 720	4 950	5.6
Boom: 5.57 m 2-piece	7.5 m kg							*5 080	*5 080			*4 910	*4 910	6.2
Arm: 2.9 m GP	6.0 m kg							*4 970	*4 970			*4 570	3 760	7.3
Shoe: 600 mm	4.5 m kg							*5 530	5 130	*5 220	3 550	*4 520	3 160	8.0
CWT: 4 200 kg	3.0 m kg					*8 250	7 440	*6 430	4 840	5 390	3 430	4 510	2 860	8.4
	1.5 m kg					*10 110	6 840	7 370	4 550	5 240	3 290	4 360	2 740	8.5
	0 m kg			*5 420	*5 420	*11 140	6 520	7 140	4 350	5 130	3 190	4 450	2 780	8.3
	-1.5 m kg	*6 270	*6 270	*10 320	*10 320	11 220	6 430	7 050	4 270	5 090	3 160	4 840	3 010	7.8
	-3.0 m kg	*11 380	*11 380	*15 250	12 780	*10 640	6 510	7 100	4 310			5 760	3 570	6.9
	-4.5 m kg			*12 370	*12 370	*8 790	6 770					*6 720	5 010	5.6
Boom: 5.57 m 2-piece	7.5 m kg							*5 080	*5 080			*4 910	*4 910	6.2
Arm: 2.9 m GP	6.0 m kg							*4 970	*4 970			*4 570	3 820	7.3
Shoe: 700 mm	4.5 m kg							*5 530	5 210	*5 220	3 610	*4 520	3 220	8.0
CWT: 4 200 kg	3.0 m kg					*8 250	7 560	*6 430	4 920	5 500	3 490	4 600	2 910	8.4
	1.5 m kg					*10 110	6 960	*7 370	4 640	5 340	3 350	4 450	2 790	8.5
	0 m kg			*5 420	*5 420	*11 140	6 640	7 280	4 440	5 230	3 250	4 540	2 830	8.3
	-1.5 m kg	*6 270	*6 270	*10 320	*10 320	*11 290	6 560	7 190	4 350	5 200	3 220	4 940	3 070	7.8
	-3.0 m kg	*11 380	*11 380	*15 250	13 010	*10 640	6 640	7 240	4 400			5 870	3 640	6.9
	-4.5 m kg			*12 370	*12 370	*8 790	6 890					*6 720	5 100	5.6
Boom: 5.57 m 2-piece	7.5 m kg							*5 080	*5 080			*4 910	*4 910	6.2
Arm: 2.9 m GP	6.0 m kg							*4 970	*4 970			*4 570	3 870	7.3
Shoe: 800 mm	4.5 m kg							*5 530	5 270	*5 220	3 660	*4 520	3 260	8.0
CWT: 4 200 kg	3.0 m kg					*8 250	7 650	*6 430	4 980	5 570	3 540	*4 640	2 950	8.4
	1.5 m kg					*10 110	7 050	*7 370	4 690	5 410	3 400	4 510	2 830	8.5
	0 m kg			*5 420	*5 420	*11 140	6 720	7 380	4 490	5 300	3 290	4 600	2 870	8.3
	-1.5 m kg	*6 270	*6 270	*10 320	*10 320	*11 290	6 640	7 280	4 410	5 270	3 260	5 000	3 110	7.8
	-3.0 m kg	*11 380	*11 380	*15 250	13 170	*10 640	6 720	7 330	4 450			5 950	3 690	6.9
	-4.5 m kg			*12 370	*12 370	*8 790	6 980					*6 720	5 170	5.6
Boom: 5.57 m 2-piece	7.5 m kg							*5 080	*5 080			*4 910	*4 910	6.2
Arm: 2.9 m GP	6.0 m kg							*4 970	*4 970			*4 570	3 910	7.3
Shoe: 900 mm	4.5 m kg							*5 530	5 320	*5 220	3 700	*4 520	3 300	8.0
CWT: 4 200 kg	3.0 m kg					*8 250	7 730	*6 430	5 040	*5 600	3 580	*4 640	2 990	8.4
	1.5 m kg					*10 110	7 130	*7 370	4 750	5 480	3 440	4 570	2 870	8.5
	0 m kg			*5 420	*5 420	*11 140	6 810	7 470	4 550	5 370	3 340	4 670	2 910	8.3
	-1.5 m kg	*6 270	*6 270	*10 320	*10 320	*11 290	6 720	7 380	4 470	5 340	3 310	5 070	3 150	7.8
	-3.0 m kg	*11 380	*11 380	*15 250	13 330	*10 640	6 800	7 430	4 510			6 030	3 730	6.9
	-4.5 m kg			*12 370	*12 370	*8 790	7 060					*6 720	5 230	5.6

Notes: 1. Machine in "Fine Mode-F" (Power Boost) for lifting capacities. 2. The above loads are in compliance with SAE J1097 and ISO 10567 Hydraulic Excavator Lifting Capacity Standards. 3. Rated loads do not exceed 87% of hydraulic lifting capacity or 75% of tipping load. 4. Rated loads marked with an asterisk (\*) are limited by hydraulic capacity rather than tipping load.

**LIFTING CAPACITY EC200E NL**

Lifting capacity at the arm end without bucket.

For lifting capacity including bucket, simply subtract actual weight of the direct fit bucket or the bucket with quick coupler from the following values.

	Lifting hook related to ground level	1.5 m		3.0 m		4.5 m		6.0 m		7.5 m		Max. reach		Max. m
		Along UC	Across UC	Along UC	Across UC	Along UC	Across UC	Along UC	Across UC	Along UC	Across UC	Along UC	Across UC	
Boom: 5.7 m GP	7.5 m kg											*5 540	5 250	5.6
Arm: 2.5 m GP	6.0 m kg							*5 370	4 720			*5 460	3 720	6.9
Shoe: 500 mm	4.5 m kg					*6 850	*6 850	*5 870	4 550	4 820	3 130	4 720	3 060	7.6
CWT: 4 200 kg	3.0 m kg					*8 790	6 490	6 690	4 270	4 720	3 030	4 260	2 730	8.0
	1.5 m kg					9 950	5 950	6 400	4 010	4 590	2 910	4 100	2 600	8.1
	0 m kg					9 670	5 710	6 210	3 840	4 500	2 830	4 200	2 650	7.9
	-1.5 m kg			*10 840	*10 840	9 630	5 680	6 150	3 790			4 620	2 900	7.4
	-3.0 m kg			*14 340	11 200	9 780	5 800	6 250	3 880			5 640	3 540	6.5
	-4.5 m kg			*11 040	*11 040	*7 890	6 130					*6 930	5 360	5.0
Boom: 5.7 m GP	7.5 m kg											*5 540	5 300	5.6
Arm: 2.5 m GP	6.0 m kg							*5 370	4 770			*5 460	3 760	6.9
Shoe: 600 mm	4.5 m kg					*6 850	*6 850	*5 870	4 590	4 880	3 170	4 770	3 090	7.6
CWT: 4 200 kg	3.0 m kg					*8 790	6 560	*6 730	4 320	4 770	3 070	4 320	2 760	8.0
	1.5 m kg					10 070	6 020	6 470	4 060	4 640	2 950	4 160	2 640	8.1
	0 m kg					9 790	5 780	6 290	3 890	4 560	2 870	4 260	2 680	7.9
	-1.5 m kg			*10 840	*10 840	9 750	5 750	6 230	3 840			4 680	2 940	7.4
	-3.0 m kg			*14 340	11 330	9 900	5 870	6 330	3 930			5 710	3 580	6.5
	-4.5 m kg			*11 040	*11 040	*7 890	6 200					*6 930	5 420	5.0
Boom: 5.7 m GP	7.5 m kg											*5 540	5 390	5.6
Arm: 2.5 m GP	6.0 m kg							*5 370	4 850			*5 460	3 830	6.9
Shoe: 700 mm	4.5 m kg					*6 850	*6 850	*5 870	4 670	4 980	3 230	4 870	3 150	7.6
CWT: 4 200 kg	3.0 m kg					*8 790	6 670	*6 730	4 400	4 870	3 130	4 400	2 820	8.0
	1.5 m kg					10 260	6 130	6 600	4 140	4 740	3 010	4 240	2 690	8.1
	0 m kg					9 980	5 890	6 410	3 970	4 650	2 920	4 340	2 740	7.9
	-1.5 m kg			*10 840	*10 840	9 950	5 860	6 360	3 920			4 770	3 000	7.4
	-3.0 m kg			*14 340	11 530	10 090	5 980	6 450	4 000			5 830	3 650	6.5
	-4.5 m kg			*11 040	*11 040	*7 890	6 310					*6 930	5 520	5.0
Boom: 5.7 m GP	7.5 m kg							*5 080	4 830			*4 910	4 580	6.2
Arm: 2.9 m GP	6.0 m kg							*4 970	4 830			*4 570	3 400	7.3
Shoe: 500 mm	4.5 m kg							*5 530	4 640	4 900	3 200	4 380	2 840	8.0
CWT: 4 200 kg	3.0 m kg					*8 250	6 670	*6 430	4 360	4 770	3 080	3 990	2 560	8.4
	1.5 m kg					10 100	6 080	6 470	4 080	4 630	2 950	3 850	2 450	8.5
	0 m kg			*5 420	*5 420	9 740	5 770	6 250	3 880	4 510	2 850	3 930	2 480	8.3
	-1.5 m kg	*6 270	*6 270	*10 320	*10 320	9 640	5 690	6 160	3 800	4 480	2 820	4 260	2 680	7.8
	-3.0 m kg	*11 380	*11 380	*15 250	11 090	9 730	5 770	6 210	3 840			5 070	3 190	6.9
	-4.5 m kg			*12 370	11 530	*8 790	6 020					*6 720	4 480	5.6
Boom: 5.7 m GP	7.5 m kg							*5 080	4 870			*4 910	4 620	6.2
Arm: 2.9 m GP	6.0 m kg							*4 970	4 880			*4 570	3 440	7.3
Shoe: 600 mm	4.5 m kg							*5 530	4 690	4 960	3 240	4 430	2 880	8.0
CWT: 4 200 kg	3.0 m kg					*8 250	6 740	*6 430	4 410	4 830	3 120	4 040	2 590	8.4
	1.5 m kg					*10 110	6 150	6 550	4 130	4 680	2 980	3 900	2 480	8.5
	0 m kg			*5 420	*5 420	9 860	5 840	6 330	3 930	4 570	2 880	3 980	2 510	8.3
	-1.5 m kg	*6 270	*6 270	*10 320	*10 320	9 760	5 760	6 240	3 850	4 540	2 850	4 320	2 720	7.8
	-3.0 m kg	*11 380	*11 380	*15 250	11 220	9 850	5 840	6 290	3 890			5 130	3 230	6.9
	-4.5 m kg			*12 370	11 650	*8 790	6 090					*6 720	4 530	5.6
Boom: 5.7 m GP	7.5 m kg							*5 080	4 950			*4 910	4 700	6.2
Arm: 2.9 m GP	6.0 m kg							*4 970	4 950			*4 570	3 500	7.3
Shoe: 700 mm	4.5 m kg							*5 530	4 760	5 060	3 300	*4 520	2 930	8.0
CWT: 4 200 kg	3.0 m kg					*8 250	6 850	*6 430	4 480	4 930	3 180	4 120	2 640	8.4
	1.5 m kg					*10 110	6 270	6 680	4 200	4 780	3 040	3 980	2 530	8.5
	0 m kg			*5 420	*5 420	10 050	5 950	6 460	4 010	4 670	2 940	4 060	2 560	8.3
	-1.5 m kg	*6 270	*6 270	*10 320	*10 320	9 960	5 870	6 370	3 920	4 630	2 910	4 410	2 780	7.8
	-3.0 m kg	*11 380	*11 380	*15 250	11 420	10 050	5 950	6 410	3 970			5 230	3 290	6.9
	-4.5 m kg			*12 370	11 860	*8 790	6 200					*6 720	4 620	5.6

Notes: 1. Machine in "Fine Mode-F" (Power Boost) for lifting capacities. 2. The above loads are in compliance with SAE J1097 and ISO 10567 Hydraulic Excavator Lifting Capacity Standards. 3. Rated loads do not exceed 87% of hydraulic lifting capacity or 75% of tipping load. 4. Rated loads marked with an asterisk (\*) are limited by hydraulic capacity rather than tipping load.



# Equipment

## STANDARD EQUIPMENT

### Engine

Turbocharged, 4 stroke diesel engine with water cooling, direct injection and charged air cooler that meets Stage V requirements

Air filter with indicator

Air intake heater

Standard cooling system by fan clutch (40 deg. C)

Cyclone pre-cleaner

Auto engine shutdown

Fuel filter and water separator

Fuel filler pump: 50 l/min, with automatic shut-off

Alternator, 80 A

Radiator mesh

### Electric / Electronic control system

Contronics

- Advanced mode control system

- Self-diagnostic system

GSM/GPS Caretrack and 3yr-Caretrack subscription

Machine status indication

Engine speed sensing power control

Automatic idling system

One-touch power boost

Safety stop/start function

Adjustable 8" LCD color monitor

Master electrical disconnect switch

Engine restart prevention circuit

High-capacity halogen lights:

- Frame-mounted 1

- Boom-mounted 1

Batteries, 2 x 12 V / 100 Ah

Start motor, 24 V / 5.5 kW

Rotating warning beacon\_LED

### Superstructure

Counterweight: 4 200kg

Access way with handrail

Tool storage area

Punched metal anti-slip plates

Undercovers (GP)

### Undercarriage

Belly cover(GP)

Hydraulic track adjusters

Greased and sealed track link

Standard track guard

## STANDARD EQUIPMENT

### Hydraulic system

Hydraulic piping:

- Breaker & shear, 1 pump flow

- Slope/Rotator

- Quick coupler

- Oil leak (drain) line on base machine and boom

Boom hose rupture valve with overload warning device

Arm hose rupture valve

Automatic sensing hydraulic system

- Summation system

- Boom priority

- Arm priority

- Swing priority

"ECO" mode fuel saving technology

Boom, arm and bucket regeneration valves

Swing anti-rebound valves

Boom and arm holding valves

Multi-stage filtering system

Cylinder cushioning

Cylinder contamination seals

Automatic two-speed travel motors

Hydraulic oil, longlife oil 46

### Cab and interior

ROPS (ISO12117-2) certified cab with fixed roof hatch

Travel pedals and hand levers

Seat-Fabric,Heat,Mech,2in

Heater & air-conditioner, automatic

Flexible antenna

AM/FM stereo with MP3, USB and bluetooth

Control lock out lever

Cab, all-weather sound suppressed, includes:

- Cup holders

- Seat belt\_Orange

- Door locks

- Tinted and safety glass

- Floor mat

- Horn

- Sun screens, front, roof, rear

- Large storage area

- Pull-up type front window

- Removable lower windshield

- Windshield wiper with intermittent feature

Front rain shield

Rear view camera

Universal key

VSV

### Track shoes

600 mm with triple grousers

### Digging equipment

Boom: 5.7 m monoblock

Arm: 2.9 m

Linkage

Manual centralized lubrication

### Service and maintenance

Tool kit, daily maintenance

---

**OPTIONAL EQUIPMENT**

---

**Engine**

- Block heater: 120 V, 240 V
- Diesel coolant heater, 5 kW
- Water separator with heater
- Tropical cooling system (50 deg. C)

**Electric**

- Extra work lights: Halogen / LED
  - Boom-mounted 1
  - Cab-mounted 3 (front 2, rear 1)
  - Counterweight-mounted 1
- Travel alarm
- Side view camera
- Anti-theft with code lock system

**Superstructure**

- Undercovers (HD)
- Belly cover(HD)

**Hydraulic system**

- Boom float function with HRV
- Boom float function without HRV
- Hydraulic piping:
  - Work tool management system (up to 20 programmable memories)
  - Breaker & shear, 2 pump flow
  - Pressure pre-setting
  - Grapple
- Additional return filter
- Hydraulic oil, ISO VG 32,46, 68
- Hydraulic oil, longlife oil 32,68
- Volvo hydraulic quick coupler VQC-HD, S70

---

**OPTIONAL EQUIPMENT**

---

**Cab and interior**

- ROPS (ISO12117-2) certified cab with open roof hatch
- Seat-Fabric,Heat,Mech
- Seat-Fabric,Heat,Air
- Seat-Fabric w/o heat,Mech
- Seat-Fabric,Heat,Air,2in
- Seat-Fabric w/o heat,Mech,2in
- Cab-mounted falling object guard (FOG)
- Cab-mounted falling object protective structure (FOPS)
- Smoker kit (ashtray and lighter)
- Anti vandal kit
- Safety net for front window
- Lower wiper with intermittent control
- Sun shield, roof hatch (steel)
- Specific key

**Track shoes**

- 500/600/700/800/900 mm with triple grousers
- 600 mm with Single grousers
- 700 mm with double grousers

**Digging equipment**

- Boom: 5.57 m 2-piece boom
- Arm: 2.5 m
- Linkage with lifting eye

**Service and maintenance**

- Tool kit, full scale
- Spare parts kit

---

**SELECTION OF VOLVO OPTIONAL EQUIPMENT**

---

**Anti-theft****Auto engine shutdown****Boom float (with hose rupture valve)****Travel alarm**

Not all products are available in all markets. Under our policy of continuous improvement, we reserve the right to change specifications and design without prior notice. The illustrations do not necessarily show the standard version of the machine.



**VOLVO**

Volvo Construction Equipment  
volvoce.com